


**for GU10**

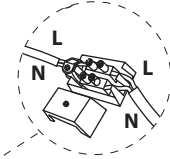
OFF 

H.  
min. 90mm

220 X 102 mm

1


2

2 UDS 

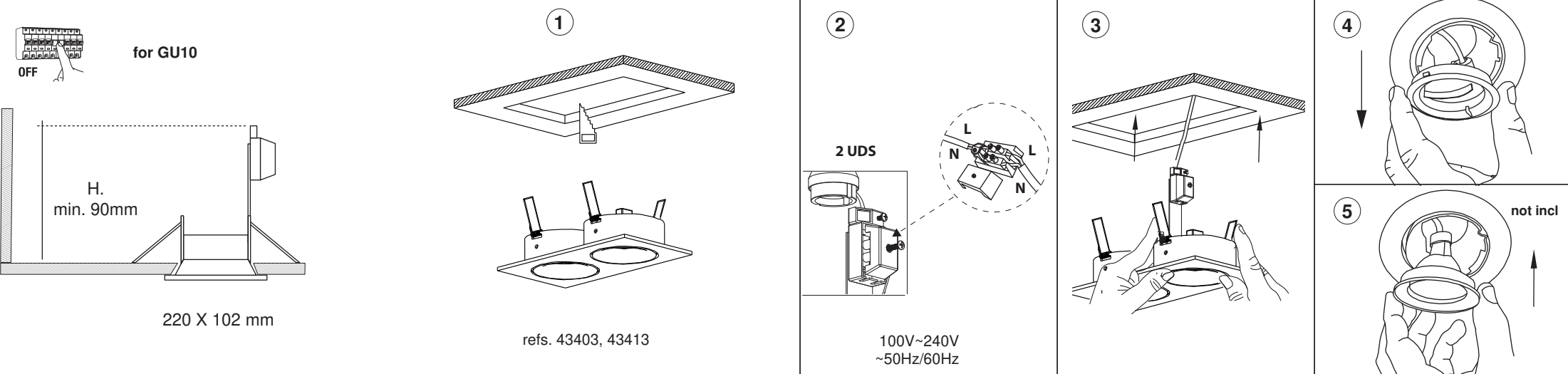
100V~240V  
~50Hz/60Hz

3


4

5 not incl 

refs. 43403, 43413



**for MR 16**

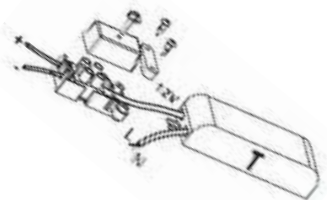
OFF 

H.  
min. 70mm

220 X 102 mm

1


2

2 UDS 

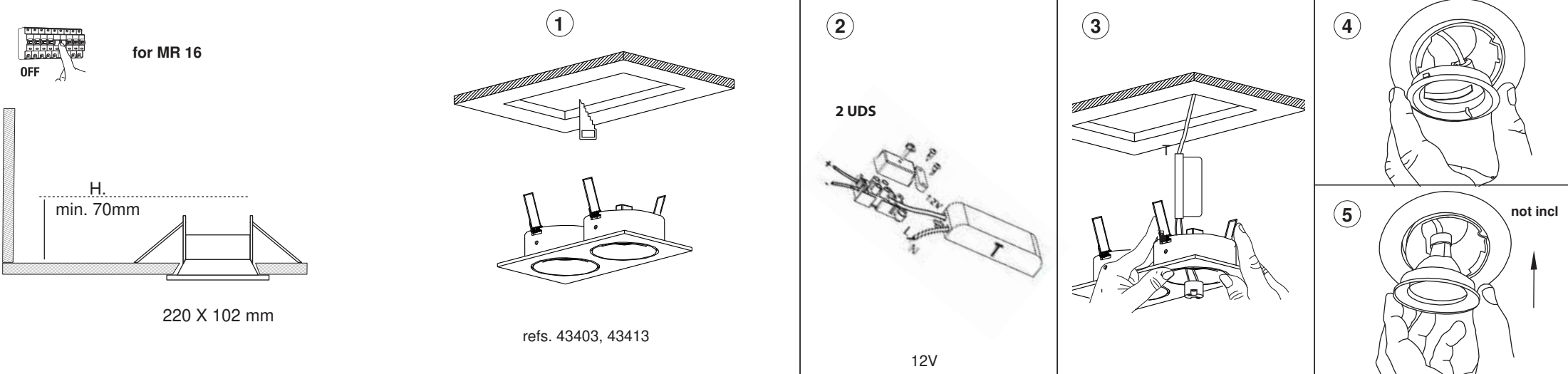
12V

3

4

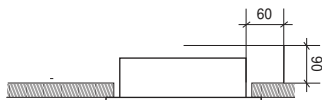
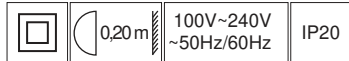
5 not incl 

refs. 43403, 43413



LIGHT SOURCE OPTIONS - OPCIONES DE FUENTE DE LUZ

GU10 MAX 8W LED (not included)  
socket - portalámparas (not included)



MR16 12V MAX 8W LED (not included)  
socket - portalámparas (not included)  
gear - equipo (not included)

