



Safety Instructions

1, 2, 3, 4, 5, 6, 7, 10, 12, 13, 14, 15, 16, 17, 18, 19, 20, 22, 24, 28, 29, 31, 32, 33, 34

31.08.2021 | 01.09.2021

ENERGY LABEL 874/2012 | ENERGY LABEL 2019/2015

A++ - A | E

LED

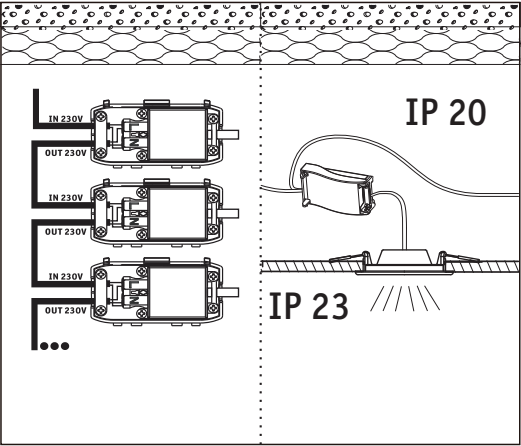
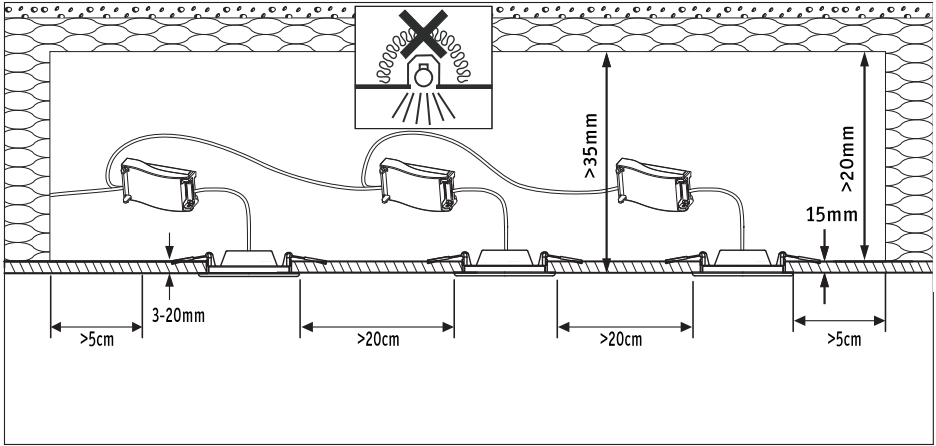
www.paulmann.com/symbols

Paulmann Licht GmbH
Quezinger Feld 2
31832 Springe
Germany

www.paulmann.com

Art.-Nr.: 929.43 929.45 929.49 929.51	929.46 929.48 929.52 929.54		Art.-Nr.: 929.43 929.45	929.46 929.48	Art.-Nr.: 929.49 929.51	929.52 929.54	
			1x		Incl. 2x		
			1x		Incl. 2x		

(+MA 326) PIM 08/22



A

Safety Instructions Nr. 1, 3, 5, 7

(Ø 75 mm for 92945/92948)
(Ø 105 mm for 92944/92947)
(Ø 155 mm for 92943/92946)
(Ø 72x72 mm for 92951/92954)
(Ø 105x105 mm for 92950/92953)
(Ø 155x155 mm for 92949/92952)

B

Safety Instructions Nr. 5, 7

C

Safety Instructions Nr. 5, 28

1 7mm, 14mm

2

D

E

F

OK

