

## Safety Instructions

1, 2, 3, 4, 5, 6, 7, 8, 9, 12, 13  
15, 16, 17, 18, 19, 20, 21, 22  
24, 25, 26, 27, 28, 33, 34



## Info Hotline

+49 (0) 5041 998 389



Mon.- Do. 7<sup>00</sup>-20<sup>00</sup>  
Fr. 7<sup>00</sup>-17<sup>00</sup>

Paulmann Licht GmbH  
Quezinger Feld 2  
31832 Springe  
Germany

www.paulmann.com

Art.-Nr.:  
935.55  
935.56  
935.57

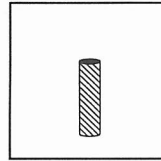
(+MA 0326)PKE 08/16



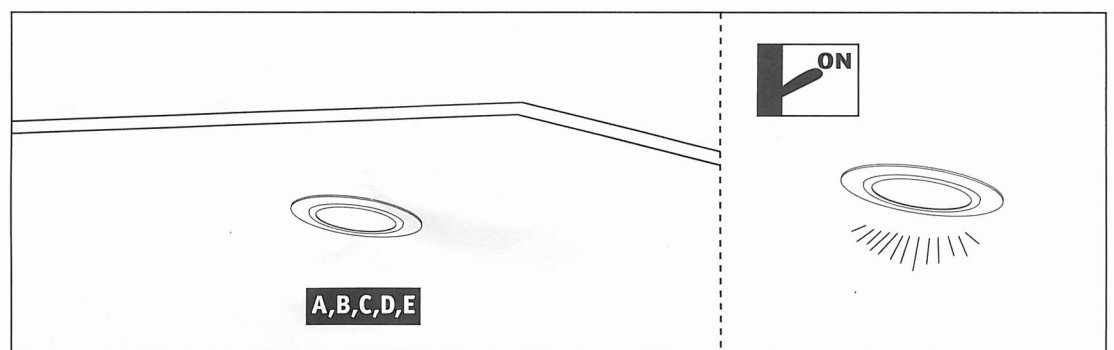
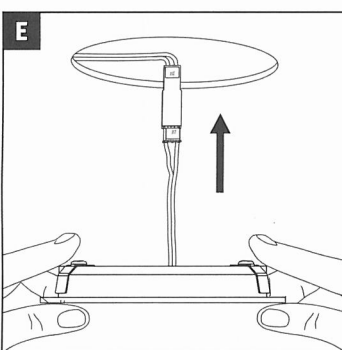
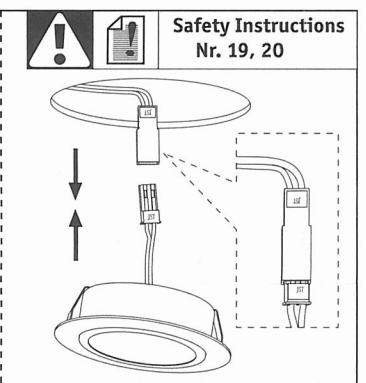
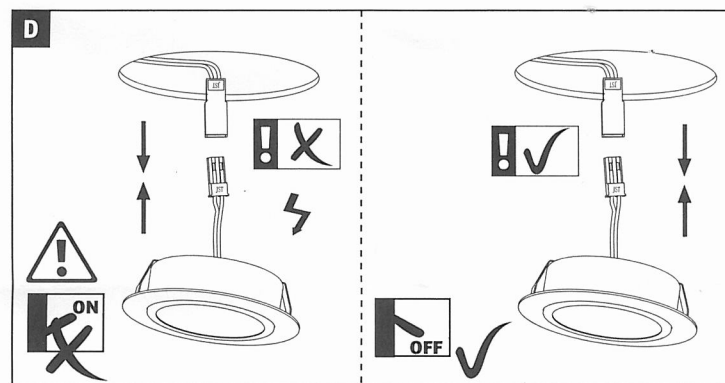
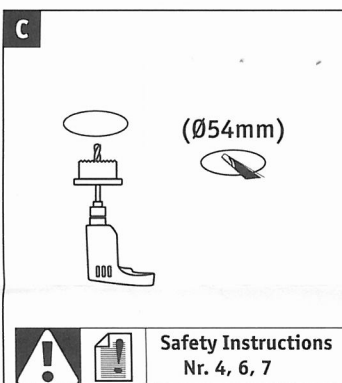
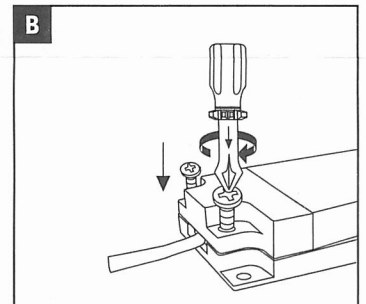
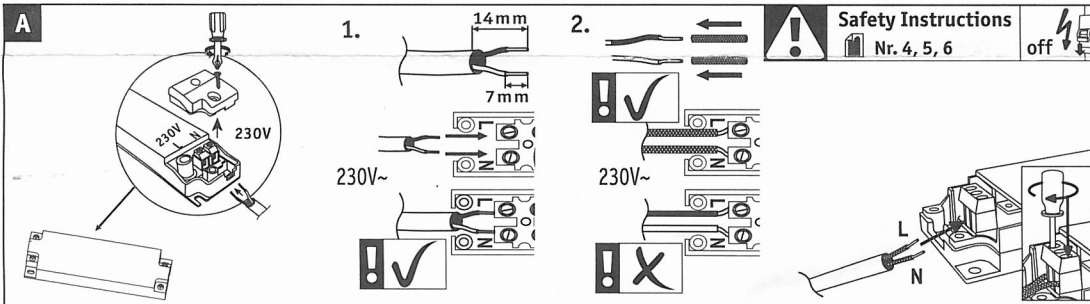
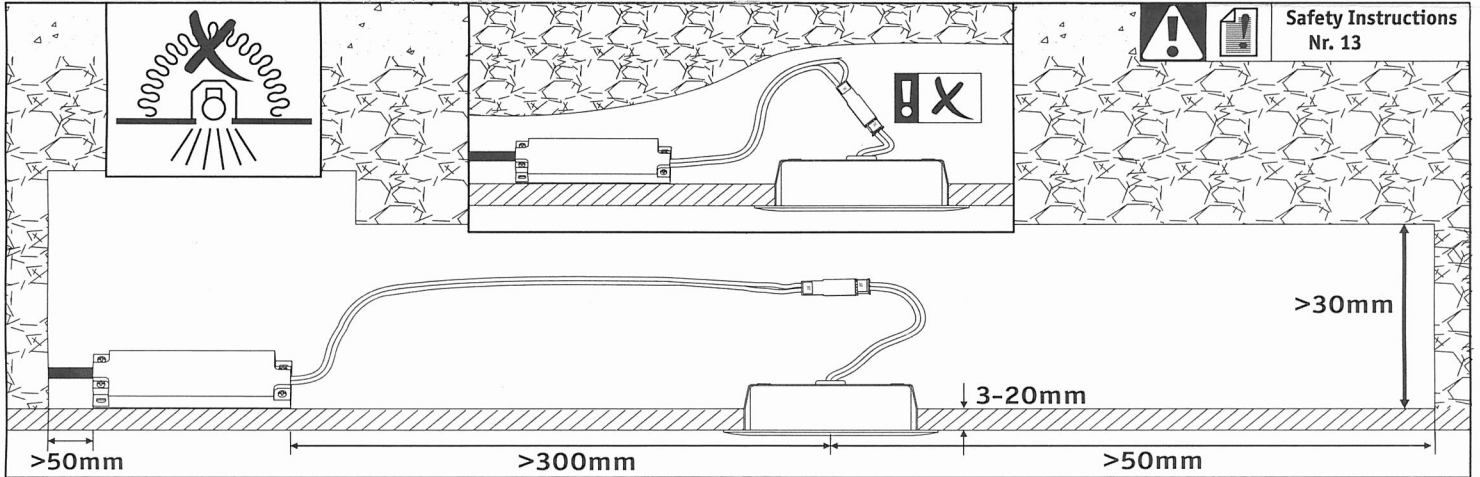
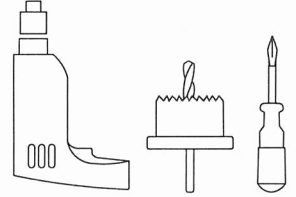
1x



1x



incl.



A,B,C,D,E