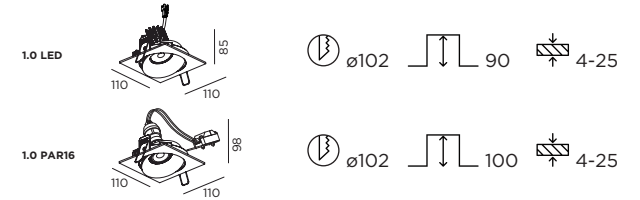


DIMENSIONS



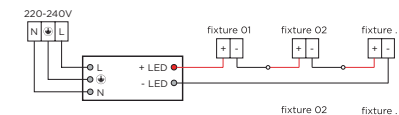
MOUNTING INSTRUCTION

- 1 Make a hole in the ceiling according to the prescribed dimensions.
- 2 Remove the inner part of the fixture.
- 3 Place the LED engine or bulb in the inner part and fix it with the spring.
- 4 Click the inner part back into the outer part.

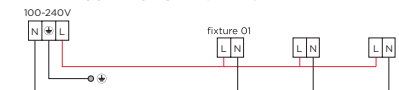
5 POWER CONNECTION

SERIAL CONNECTION - for LED

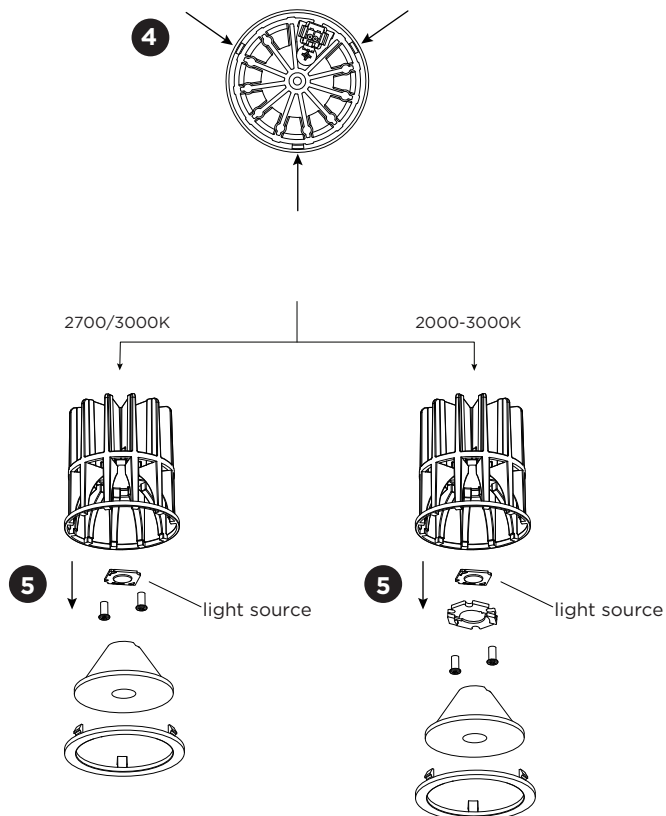
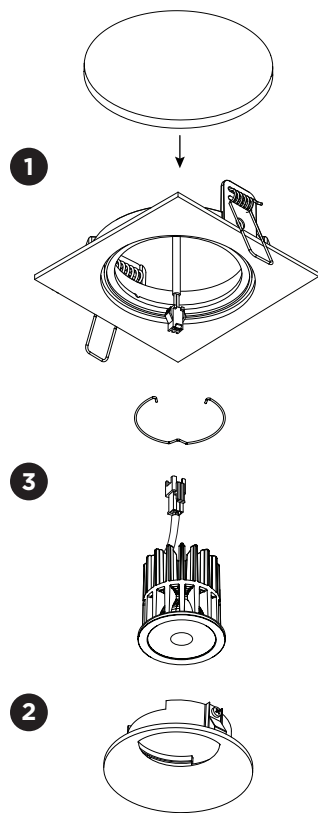
Always use a driver according to the specifications of the LED module



PARALLEL CONNECTION - for PAR16



- 6 Mount the fixture into the ceiling by pushing the springs upwards.



DISMANTLING AND RECYCLING INSTRUCTIONS

Light source

- 1 Take out the fixture from the ceiling.
- 2 Pull out the inner part and remove the lamp spring.
- 3 Unplug the LED module to remove it from the luminaire.
- 4 Push at the three points to loosen the front ring.
- 5 Take out the lens and unscrew the holder or light source to remove it.



The light source is replaceable by an authorized professional. For advice contact your Wever & Ducré customer service contact point.



This luminaire contains a light source with the energy class D.