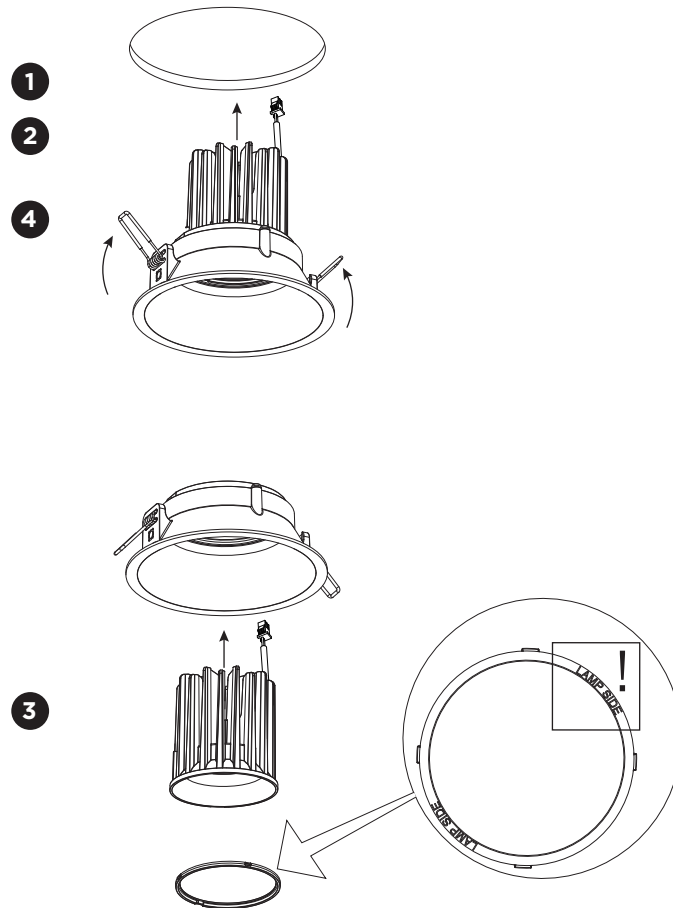
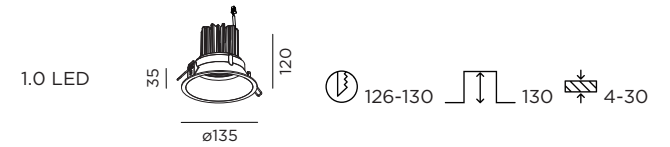


# DEEP ADJUST fort

INSTALLATION INSTRUCTIONS | FEBRUARY 2023



## DIMENSIONS

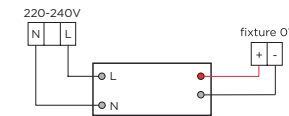


## MOUNTING INSTRUCTION

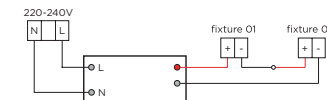
1 Make a hole in the ceiling according to the prescribed dimensions.

## 2 POWER CONNECTION

Always use a driver according to the specifications of the LED module.



## SERIAL CONNECTION



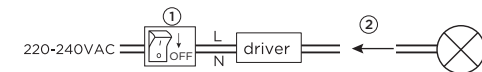
3 Place the LED module in the housing and fix it with the spring clip.

4 Push the springs upwards and insert the fixture in the ceiling hole.



Driver must be powered off before connecting cables.

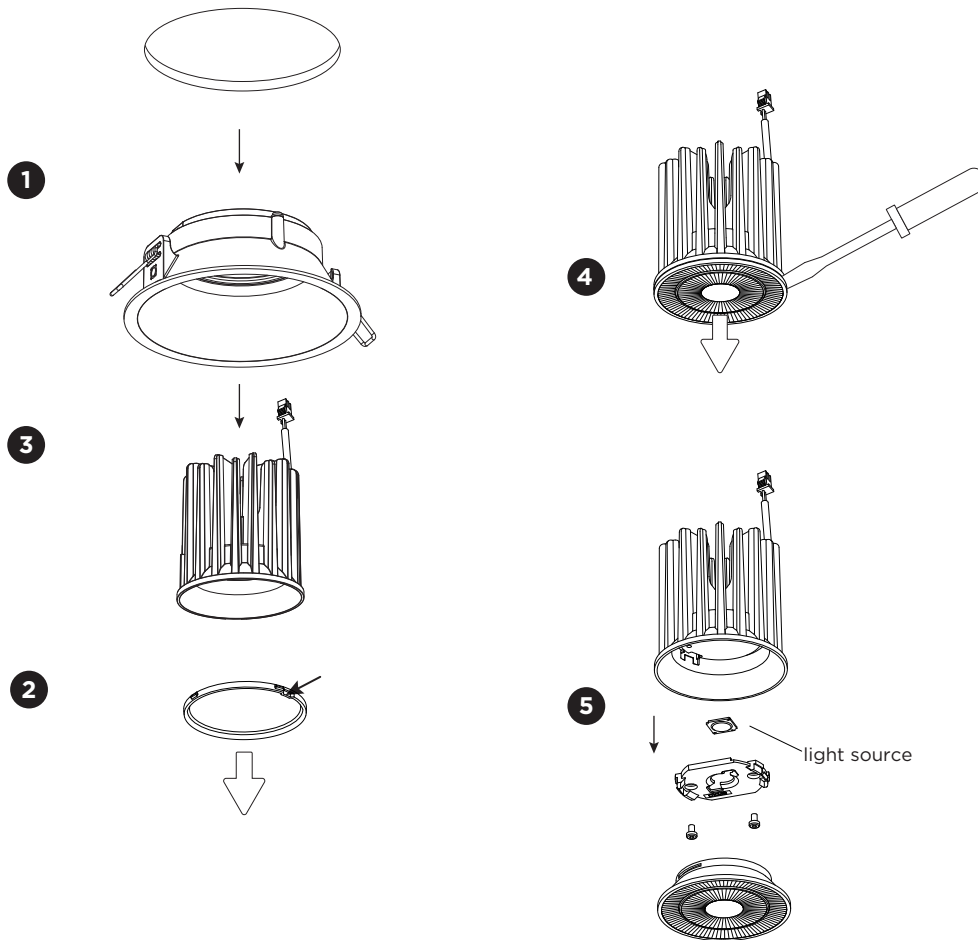
Before connecting the luminaire/LED module to the driver please make sure the driver is not powered but disconnected from the mains. The driver can only be powered when the luminaire/LED module is already connected. Disregarding this instruction might damage or even destroy the luminaire/LED module.



PB19-010-657-00\_V1

# DEEP ADJUST fort

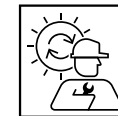
INSTALLATION INSTRUCTIONS | FEBRUARY 2023



## DISMOUNTING AND RECYCLING INSTRUCTIONS

### Light source

- 1 Remove the fixture from the ceiling.
- 2 Push in the slot of the spring clip and pull it down.
- 3 Unplug the LED module to remove it from the fixture.
- 4 Remove the lens by using a flat screwdriver.
- 5 Unscrew the holder to remove the light source.



The light source is replaceable by an authorized professional.  
For advice contact your Wever & Ducré customer service contact point.



This luminaire contains a light source with the energy class D.