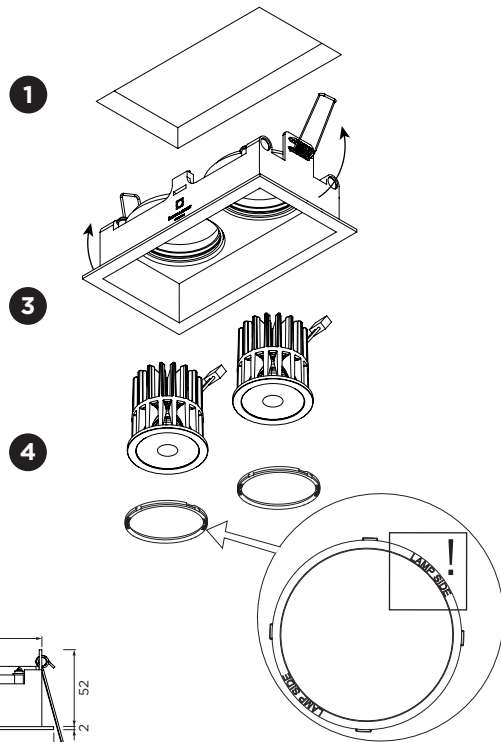


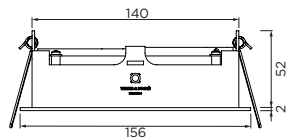
# PLANO 2.0

INSTALLATION INSTRUCTIONS | APRIL 2023

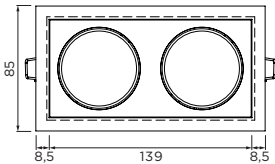
2.0 LED



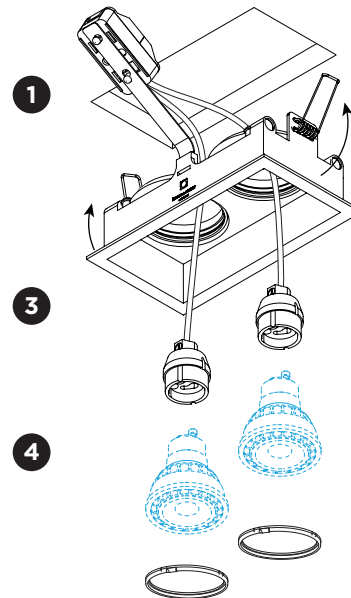
side view



bottom view

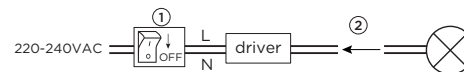


2.0 PAR16

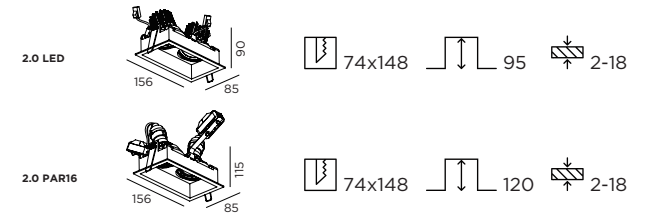


Driver must be powered off before connecting the cables.

Before connecting the luminaire/LED module to the driver please make sure the driver is not powered but disconnected from the mains. The driver can only be powered when the luminaire/LED module is already connected. Disregarding this instruction might damage or even destroy the luminaire/LED module.



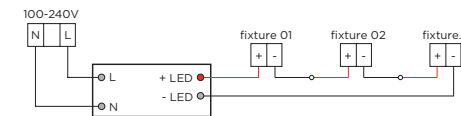
## DIMENSIONS



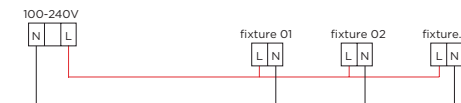
## MOUNTING INSTRUCTION

- 1 Make a hole in the ceiling according to the prescribed dimensions.
- 2 **POWER CONNECTION**  
Always use a driver according to the specifications of the LED module.

### SERIAL CONNECTION - for LED



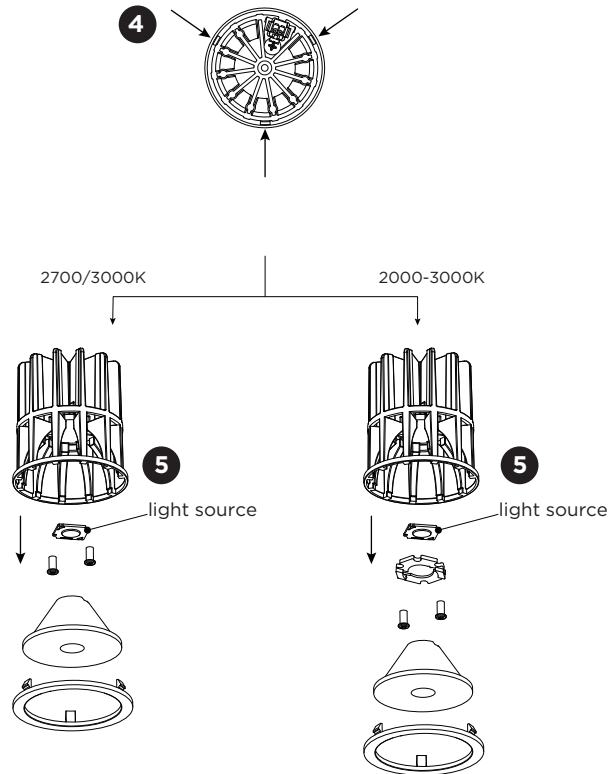
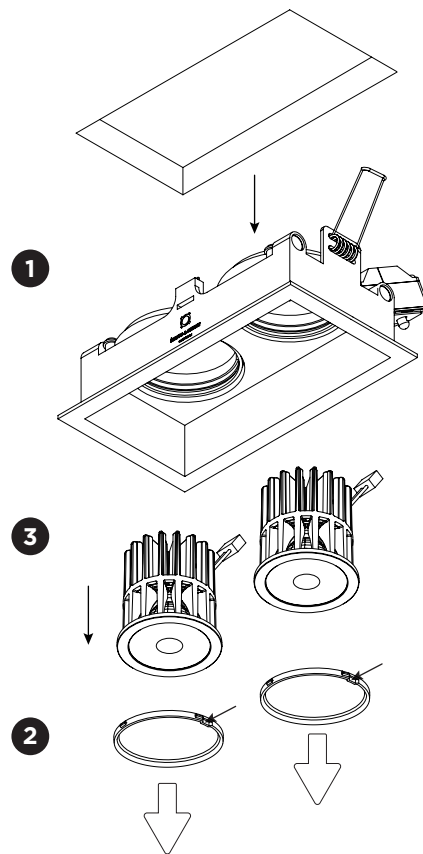
### PARALLEL CONNECTION - for PAR16



- 3 Insert the fixture in the hole by pushing the springs upwards.
- 4 Place the LED engines or PAR16 lamps in the fixture and fix them with the spring clips.

# PLANO 2.0

INSTALLATION INSTRUCTIONS | APRIL 2023



## DISMOUNTING AND RECYCLING INSTRUCTIONS

### Light source

- 1 Take the luminaire out of the ceiling hole and unplug the connectors.
- 2 Push in the slot of the spring clip and pull it down.
- 3 Remove the LED module.
- 4 Push at the three points to loosen the front ring.
- 5 Take out the lens and unscrew the holder or light source to remove the light source.



The light source is replaceable by an authorized professional. For advice contact your Wever & Ducré customer service contact point.



This luminaire contains a light source with the energy class D.