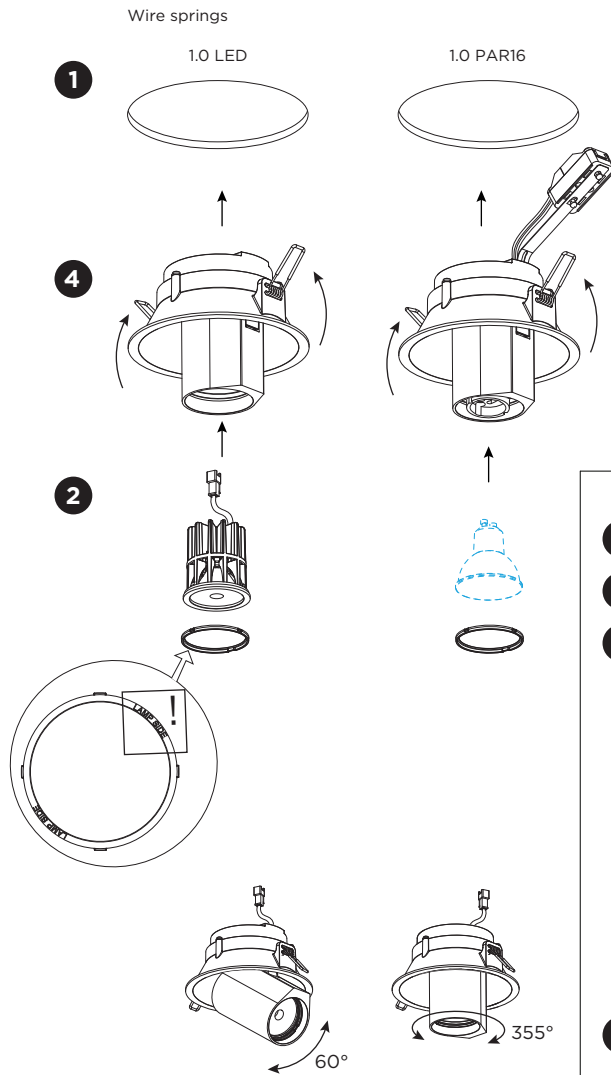


BLIEK ROUND

INSTALLATION INSTRUCTIONS | NOVEMBER 2022



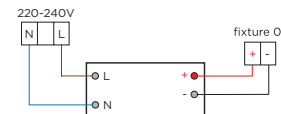
MOUNTING INSTRUCTION

- 1 Make a hole in the ceiling according to the prescribed dimensions.
- 2 Place the LED module or lamp by fixing it with the spring clip.

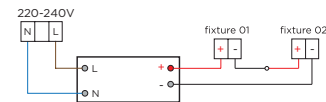
3 POWER CONNECTION

LED Always use a driver according to the specifications of the LED module.

Single connection

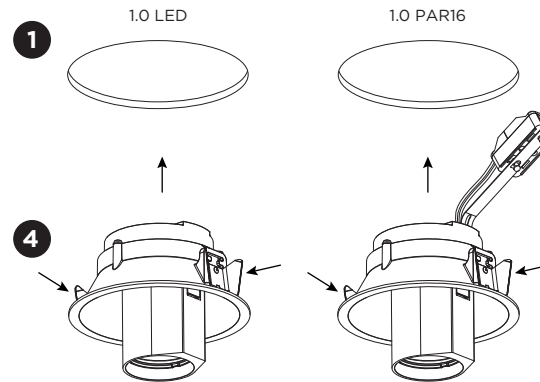


Multiple connection

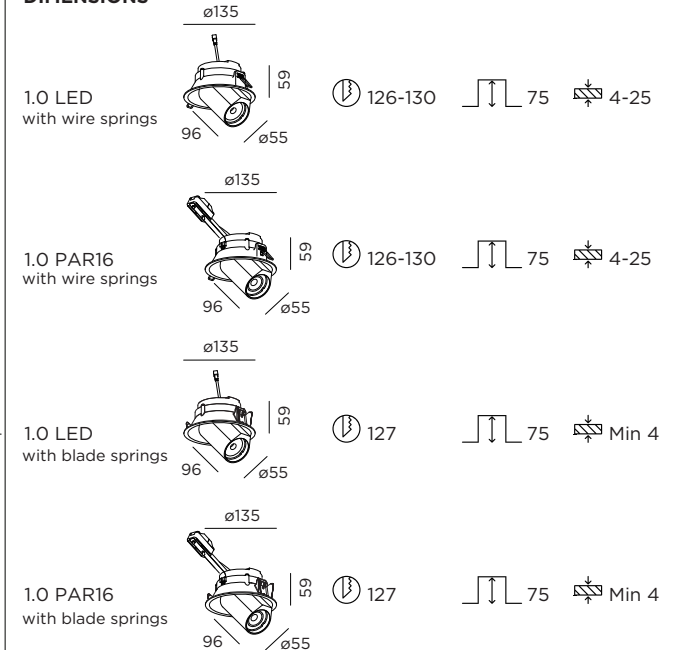


- 4 Push the wire springs upwards and insert the fixture in the ceiling hole. Push on the side of the blade springs and insert the fixture in the ceiling hole.

Blade springs

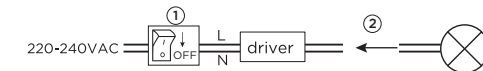


DIMENSIONS



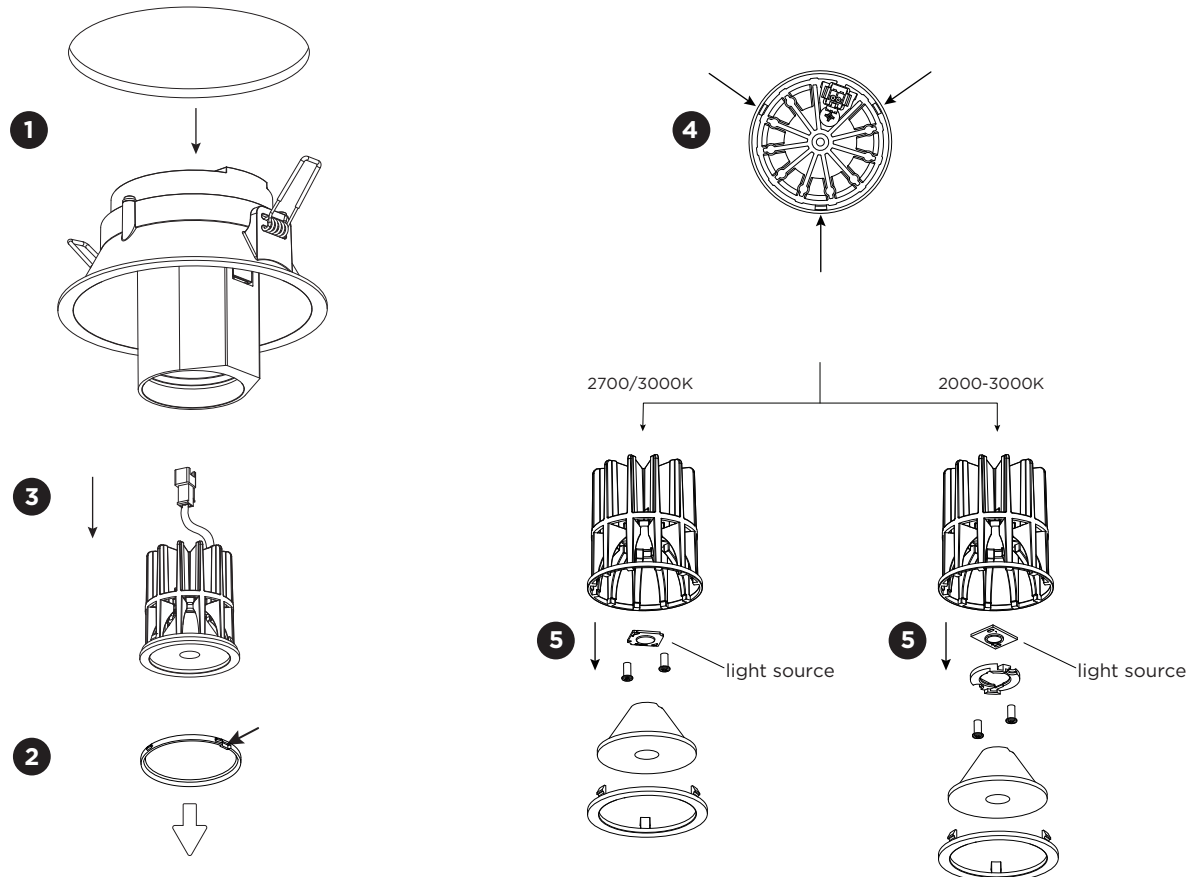
Driver must be powered off before connecting cables.

Before connecting the luminaire/LED module to the driver please make sure the driver is not powered but disconnected from the mains. The driver can only be powered when the luminaire/LED module is already connected. Disregarding this instruction might damage or even destroy the luminaire/LED module.



BLIEK ROUND

INSTALLATION INSTRUCTIONS | NOVEMBER 2022



DISMOUNTING AND RECYCLING INSTRUCTIONS

Light source

- 1 Take the luminaire out of the ceiling hole and unplug the connector.
- 2 Push in the slot of the spring clip and pull it down.
- 3 Remove the LED module from the luminaire.
- 4 Push at the three points to loosen the front ring.
- 5 Take out the lens and unscrew the holder or light source to remove it.



The light source is replaceable by an authorized professional.
For advice contact your Wever & Ducré customer service contact point.



This luminaire contains a light source with the energy class D.