

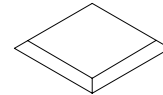
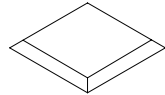
STRANGE 1.0

INSTALLATION INSTRUCTIONS | DECEMBER 2022

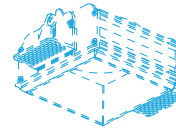
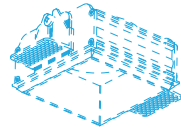
1.0 LED

1.0 PAR16

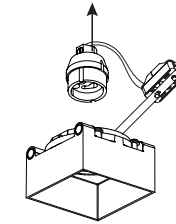
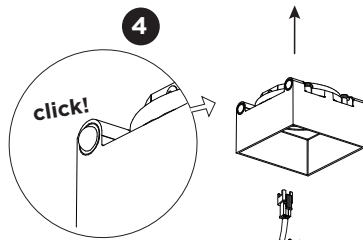
1



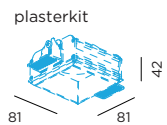
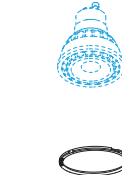
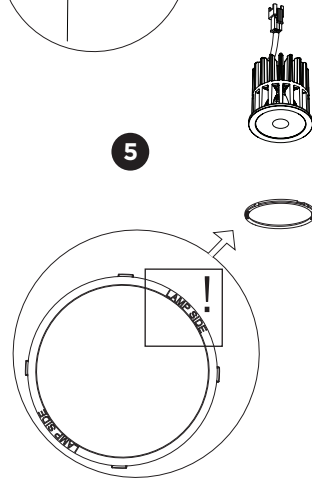
2



4



5



DIMENSIONS



MOUNTING INSTRUCTION

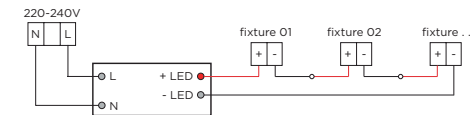
- 1 Make a hole in the ceiling according to the prescribed dimensions (always use a plasterkit).
- 2 Mount the plasterkit into the ceiling and screw it tightly on the ceiling, then plaster the borders seamlessly (screws are not included).

See separate installation instruction of the plasterkit.

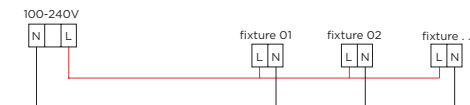
3 POWER CONNECTION

SERIAL CONNECTION - for LED

Always use a driver according to the specifications of the LED module



PARALLEL CONNECTION - for PAR16

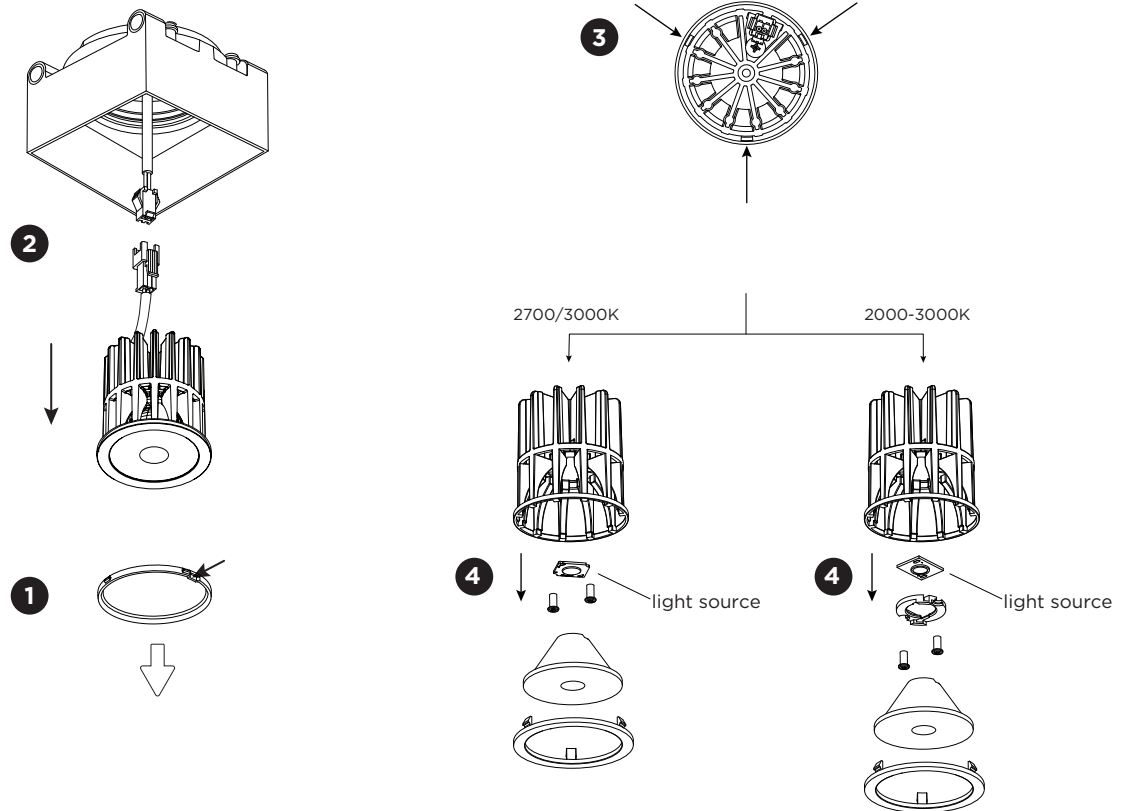


- 4 Click the fixture into the plasterkit.
- 5 Place the LED module or PAR16 lamp in the housing and fix it with the spring clip.

PB19-010-480-00_v3

STRANGE 1.0

INSTALLATION INSTRUCTIONS | DECEMBER 2022



DISMOUNTING AND RECYCLING INSTRUCTIONS

Light source

- 1** Push in the slot of the spring clip and pull it down.
- 2** Unplug the LED module to remove it from the luminaire.
- 3** Push at the three points to loosen the front ring.
- 4** Take out the lens and unscrew the holder or light source to remove it.



The light source is replaceable by an authorized professional. For advice contact your Wever & Ducre customer service contact point.



This luminaire contains a light source with the energy class D.