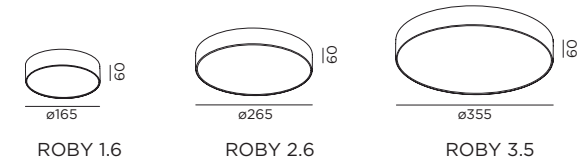
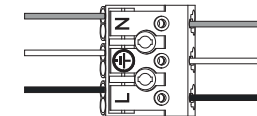


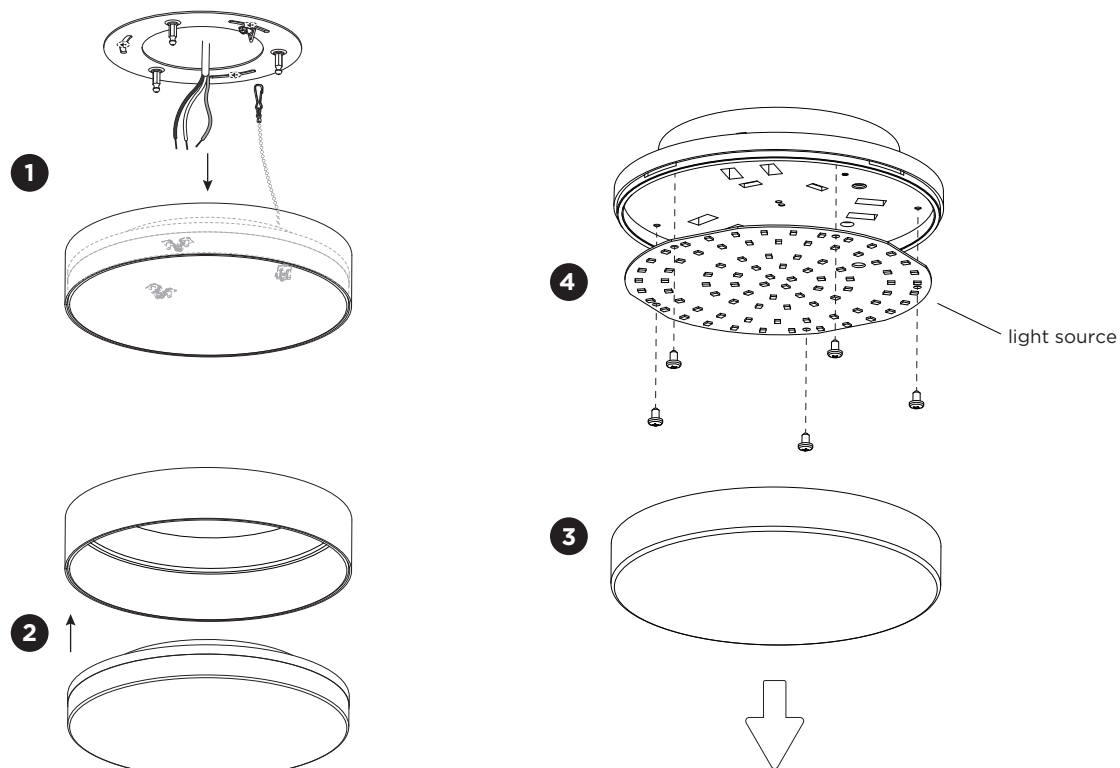
## DIMENSIONS



## MOUNTING INSTRUCTION

- 1 Remove the mounting base from the luminaire by pulling.
- 2 Disconnect the installation chain.
- 3 Mount the base on the ceiling with screws (screws are not included).
- 4 Put the ROBY cover on top of the fixture from the backside.
- 5 POWER CONNECTION  
Connect to 220-240V.
- 6 Connect the fall protection chain back to the mounting base.
- 7 Attach the luminaire to the mounting base by pushing and clicking the 3 pins into the clips.

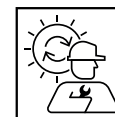




## DISMOUNTING AND RECYCLING INSTRUCTIONS

### Light source

- 1** Pull the fixture from the ceiling and loosen the wires and chain.
- 2** Remove the cover from the luminaire.
- 3** Pull off the diffuser.
- 4** Unscrew the light source and loosen the wires to remove it.



The light source is replaceable by an authorized professional.  
For advice contact your Wever & Ducré customer service contact point.



This luminaire contains a light source with the energy class E.