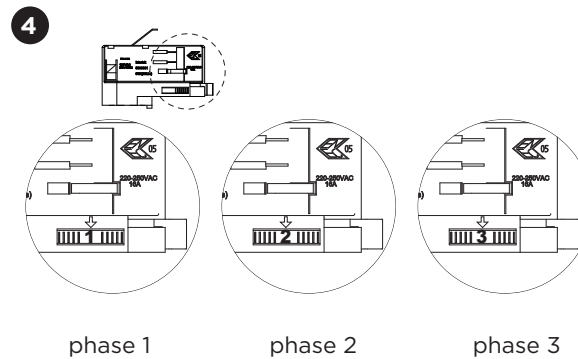
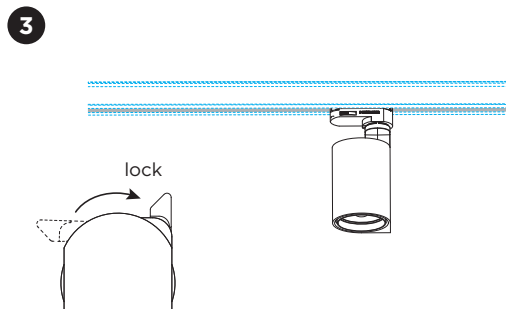
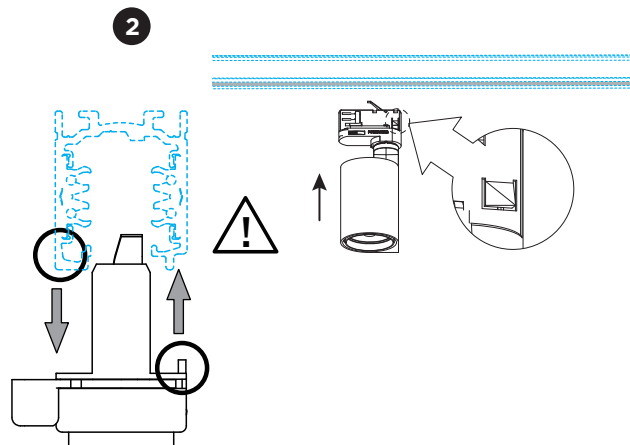
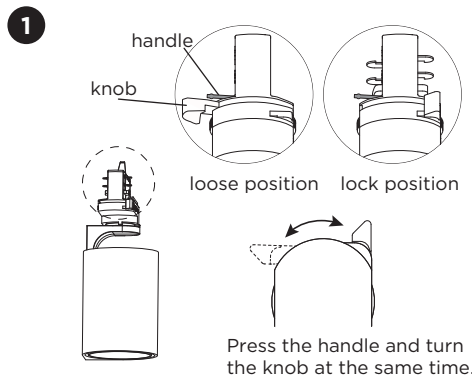


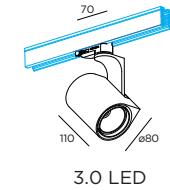
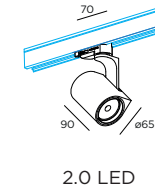
SQUBE on track 2.0/3.0 (3-phase)

INSTALLATION INSTRUCTIONS | NOVEMBER 2023

Install the adapter into the track.



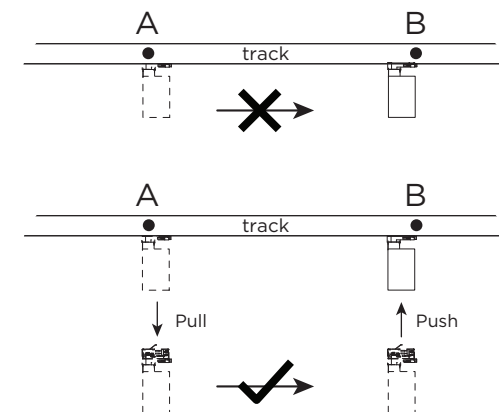
DIMENSIONS



MOUNTING INSTRUCTION

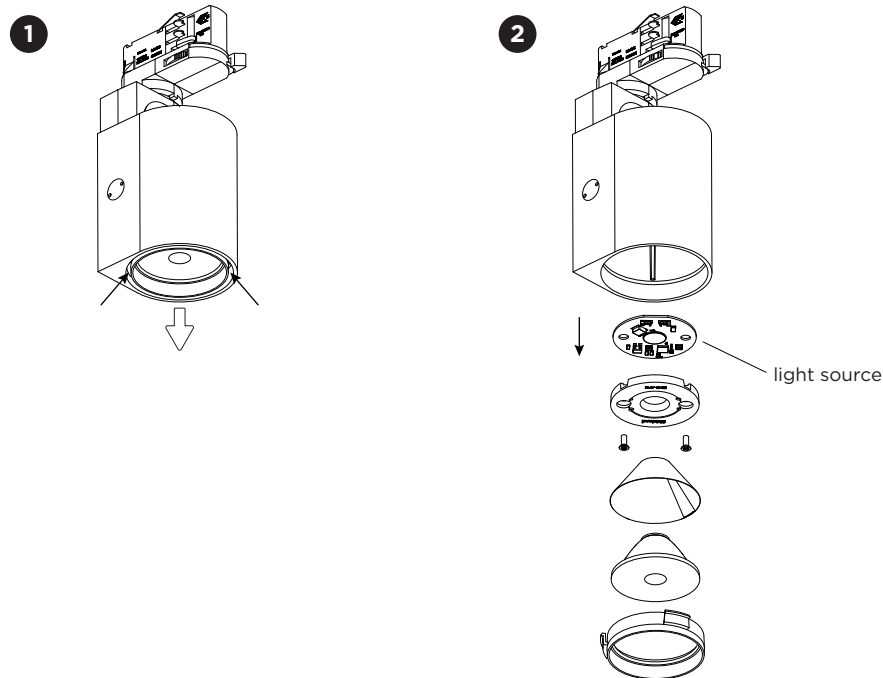
- 1** Make sure the knob is on the loose position.
- 2** Push the fixture into the track.
- 3** Turn the knob to the lock position by pressing the handle and turning the knob at the same time.
- 4** Select the phase by aligning it with the arrow on the adapter.

Note: it's not allowed to slide the fixture in the track. If you want to change the location of the fixture in the track, please pull the fixture out of the track and install it on the correct position.



SQUBE on track 2.0/3.0 (3-phase)

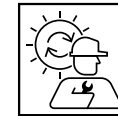
INSTALLATION INSTRUCTIONS | NOVEMBER 2023



DISMOUNTING AND RECYCLING INSTRUCTIONS

Light source

- 1 Push on the sides of the plastic ring and pull it out.
- 2 Take the parts out and unscrew the holder to remove the light source.



The light source is replaceable by Wever & Ducré or by a professional with explicit authorisation. For more information please contact your local Wever & Ducré customer service point.



This luminaire contains a light source with the energy class F.