

HEXO CEILING 2.0

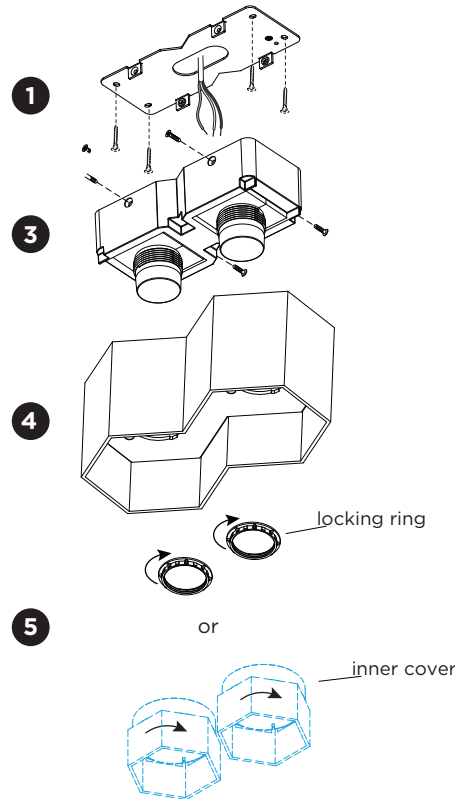
INSTALLATION INSTRUCTIONS | JANUARY 2023

2.0 LED

Double LED module.

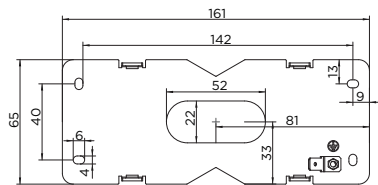
2.0 PAR16

Two bases are connected together by means of a spacer bracket.

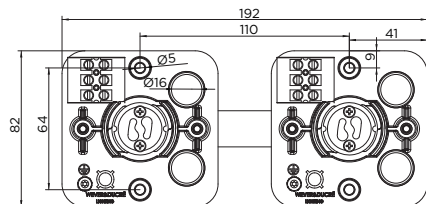


base plate dimensions

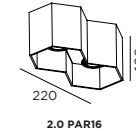
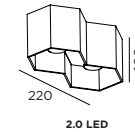
2.0 LED



2.0 PAR16



DIMENSIONS



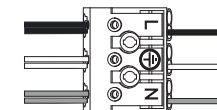
MOUNTING INSTRUCTION

- FOR 2.0 LED**
Remove the mounting base plate from the LED module by loosening the socket screws and mount it on the ceiling with screws (screws are not included).

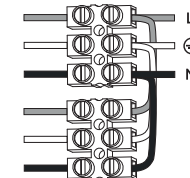
FOR 2.0 PAR16

Attach both bases to each other by using the bracket and screws (supplied with the cover), and mount them on the ceiling with screws (screws are not included).

- POWER CONNECTION**
Connect to 220-240V.
for LED



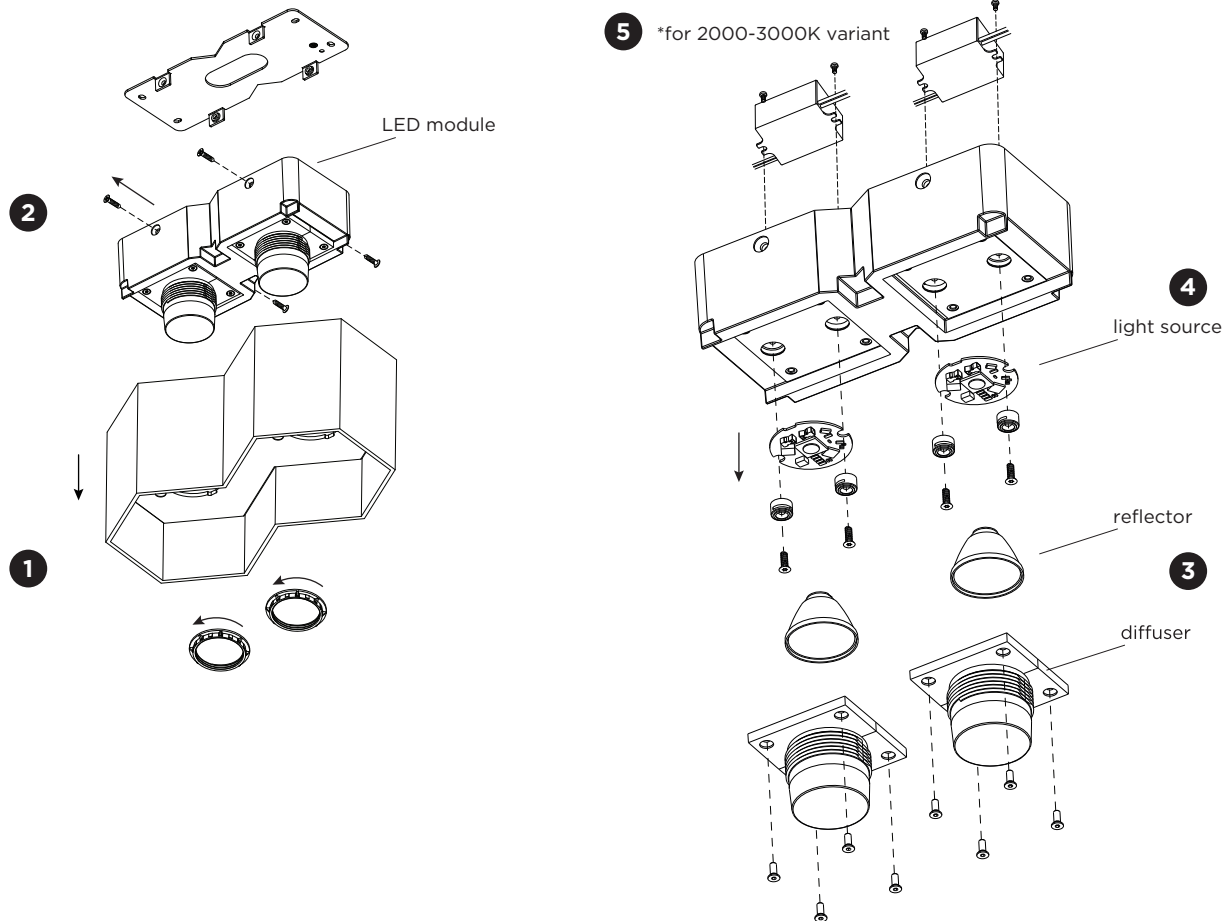
for PAR16



- FOR 2.0 LED**
Attach the double LED module on the base plate with the socket screws.
- Attach the cover to the luminaire base by screwing the locking rings.
- OPTIONAL inner cover**
Put the inner cover in the outer cover by screwing.
With inner cover: **max. 10W**

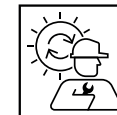
HEXO CEILING 2.0

INSTALLATION INSTRUCTIONS | JANUARY 2023



DISMOUNTING AND RECYCLING INSTRUCTIONS only for 1.0 LED Light source & driver*

- 1 Unscrew the locking rings and remove the cover.
- 2 Remove the four socket screws and disconnect the wires to dismantle the LED module from the base.
- 3 Loosen the screws and remove the diffuser(s) and reflector(s).
- 4 Disconnect the wires, loosen the screws and remove the light source(s).
- 5 *For 2000-3000K variant:
Loosen the wires and unscrew the driver(s) to remove it/them.



The light source is replaceable by an authorized professional.
For advice contact your Wever & Ducré customer service contact point.



The driver can be replaced by the end user.*

This luminaire contains a light source with the corresponding energy class:

colour temperature	Energy class
3000K	A ↑ G D
2700K 2000-3000K	A ↑ G F

*only applicable on the 2000-3000K variant