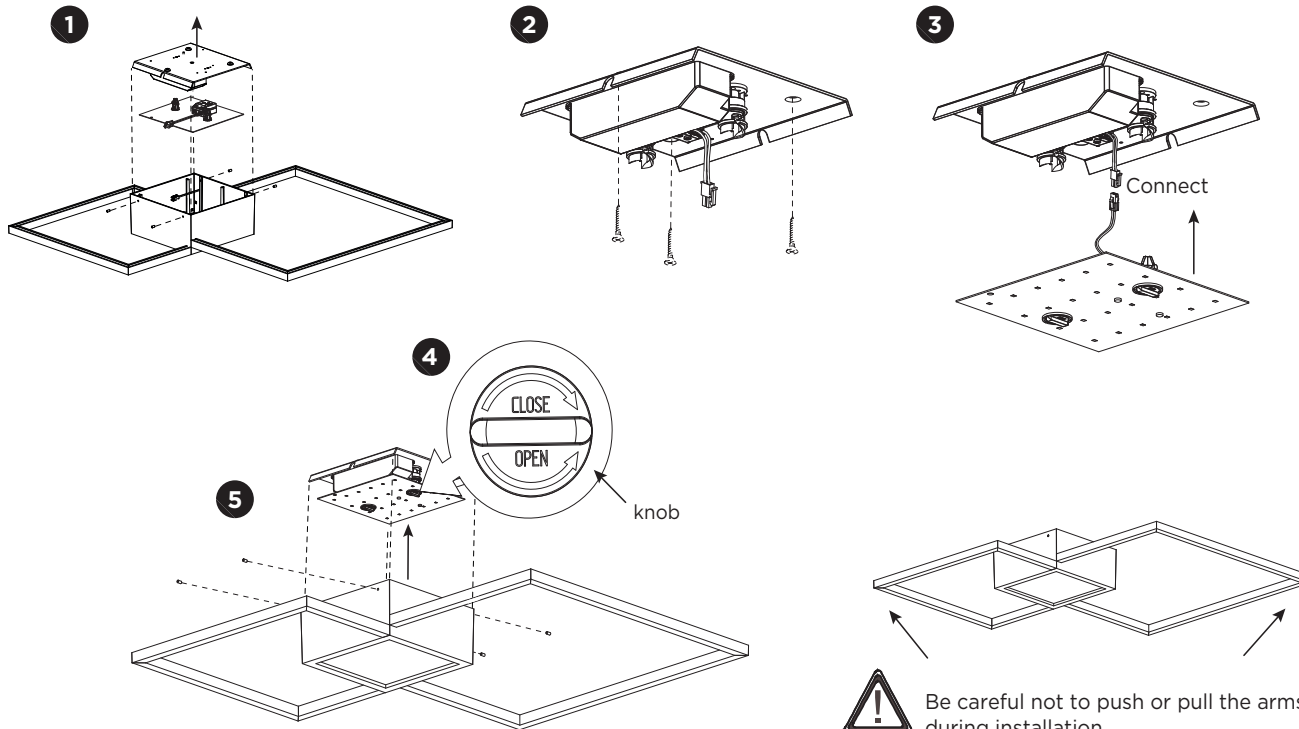
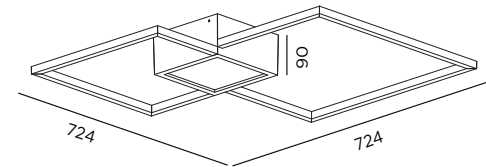


VENN 2.0 phase cut

INSTALLATION INSTRUCTIONS | MARCH 2023

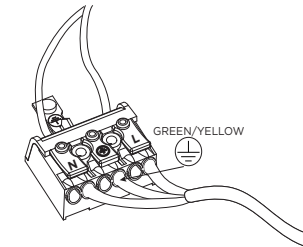


DIMENSIONS

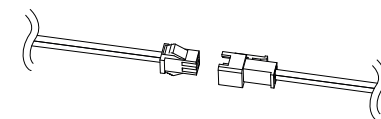


MOUNTING INSTRUCTIONS

- 1 Remove the mounting plate with the LED board by loosening the 4 socket screws and separate them by twisting the knobs (see point 4).
- 2 Fix the mounting plate to the wall/ceiling with screws (screws are not included).
- 3 **POWER CONNECTION**
Connect the terminal block.

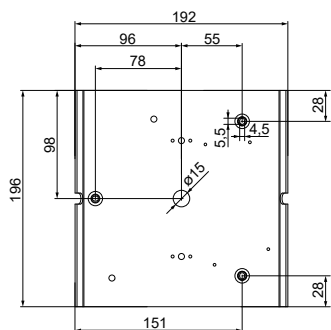


Connect the plugs.



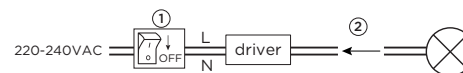
- 4 Connect the LED board on the mounting plate and twist the two knobs to close.
- 5 Fix the lamp base back to the mounting plate with the 4 socket screws.

backplate dimensions



Driver must be powered off before connecting the cables.

Before connecting the luminaire/LED module to the driver please make sure the driver is not powered but disconnected from the mains. The driver can only be powered when the luminaire/LED module is already connected. Disregarding this instruction might damage or even destroy the luminaire/LED module.



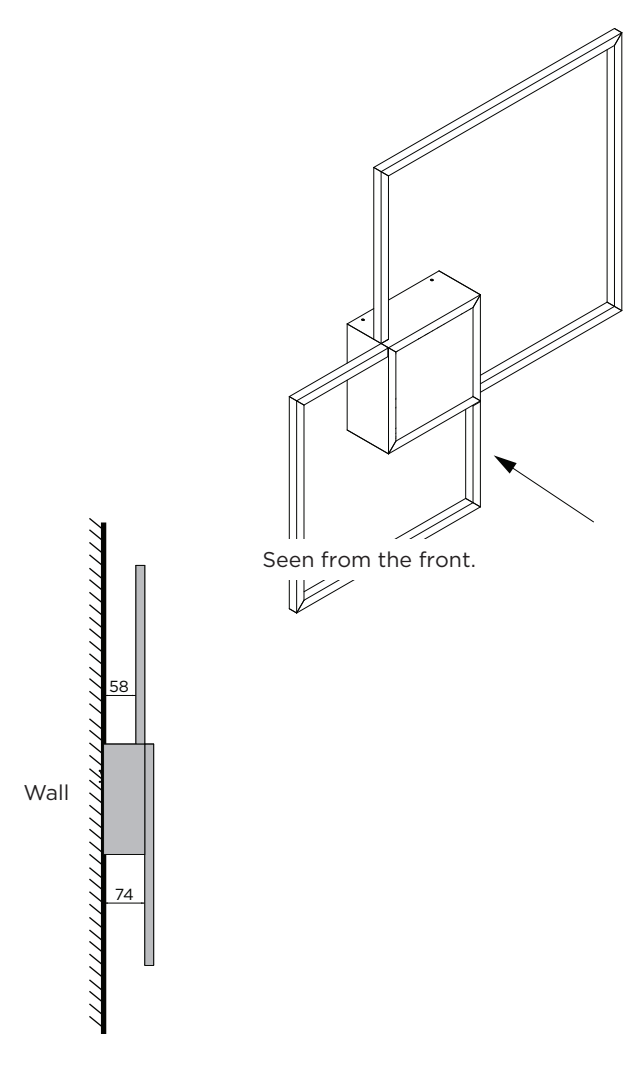
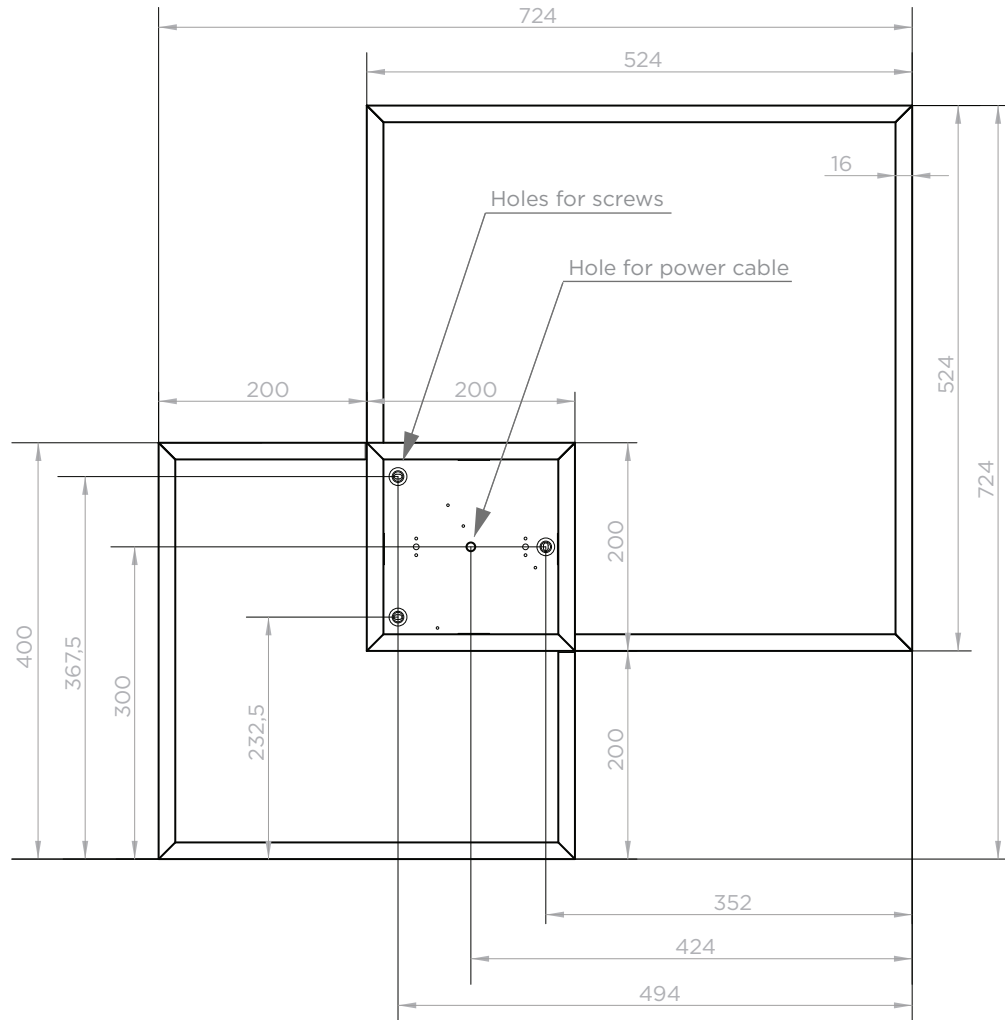
WEVER & DUCRÉ
LIGHTING

WEVER & DUCRÉ BV
Spinnerijstraat 99/21, 8500 Kortrijk, Belgium
weverducre.com

VENN 2.0 phase cut

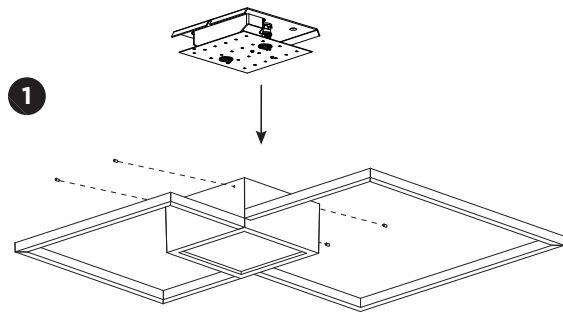
INSTALLATION INSTRUCTIONS | MARCH 2023

DETAILED DIMENSIONS VENN:

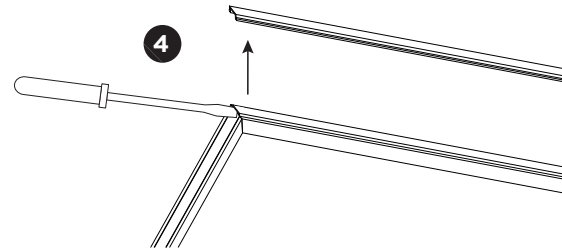


VENN 2.0 phase cut

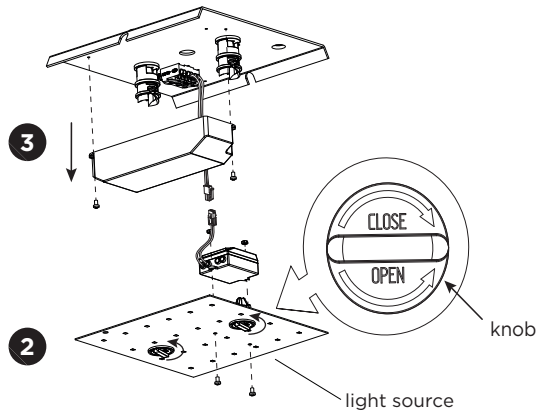
INSTALLATION INSTRUCTIONS | MARCH 2023



1

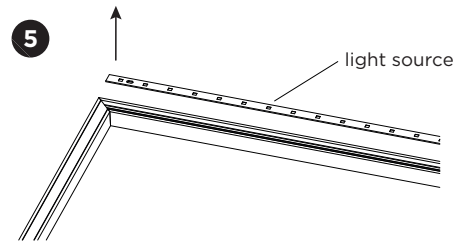


4



3

2



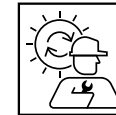
5



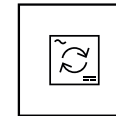
DISMOUNTING AND RECYCLING INSTRUCTIONS

Light source & driver

- 1 Loosen the four socket screws to remove the fixture from the mounting base.
- 2 Twist the knobs on the light source and loosen the wires to remove it.
- 3 Unscrew the drivers and disconnect the wires to remove them.
- 4 Push a flat screw driver into the gap between two diffusers and pull out the diffuser.
- 5 Loosen the wires to remove the light source.



The light source is replaceable by an authorized professional. For advice contact your Wever & Ducré customer service contact point.



The driver(s) can be replaced by the end user.



This luminaire contains a light source with the energy class D.