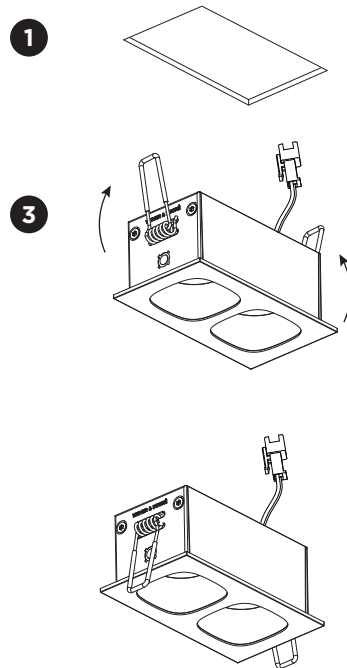


PIRRO ceiling recessed

INSTALLATION INSTRUCTIONS | APRIL 2023



⚠ Before connecting the luminaire/LED module to the driver please make sure the driver is not powered but disconnected from the mains. The driver can only be powered when the luminaire/LED module is already connected. Disregarding this instruction might damage or even destroy the luminaire/LED module.

Driver must be powered off before connecting cables.

DIMENSIONS

LED Type	Length (mm)	Width (mm)	Depth (mm)	Mounting Hole Diameter (mm)
1.0 LED	56	56	43	50x50
2.0 LED	100	56	43	93x50
4.0 LED	188	56	43	181x50
6.0 LED	276	56	43	269x50

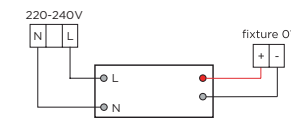
MOUNTING INSTRUCTION

1 Make a hole in the ceiling according to the prescribed dimensions.

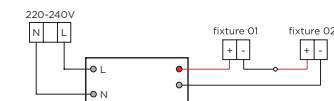
2 POWER CONNECTION

Always use a driver according to the specifications of the LED module.

Single connection



Multiple connection



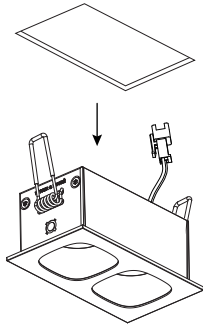
3 Push the springs upwards and insert the fixture in the ceiling hole.

PB19-010-666-00_V2

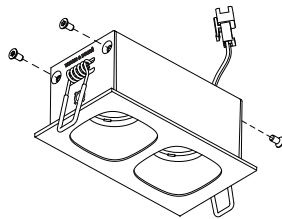
PIRRO ceiling recessed

INSTALLATION INSTRUCTIONS | APRIL 2023

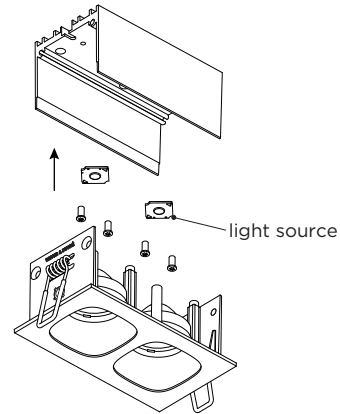
1



2



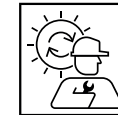
3



DISMOUNTING AND RECYCLING INSTRUCTIONS

Light source

- 1 Take the luminaire out of the ceiling hole and unplug the wires.
- 2 Remove the side screws.
- 3 Take off the cover and unscrew the light source(s) to remove it/them.



The light source is replaceable by an authorized professional.
For advice contact your Wever & Ducré customer service contact point.



This luminaire contains a light source with the energy class E.