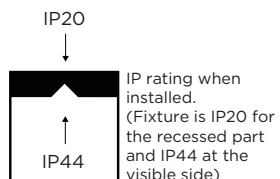
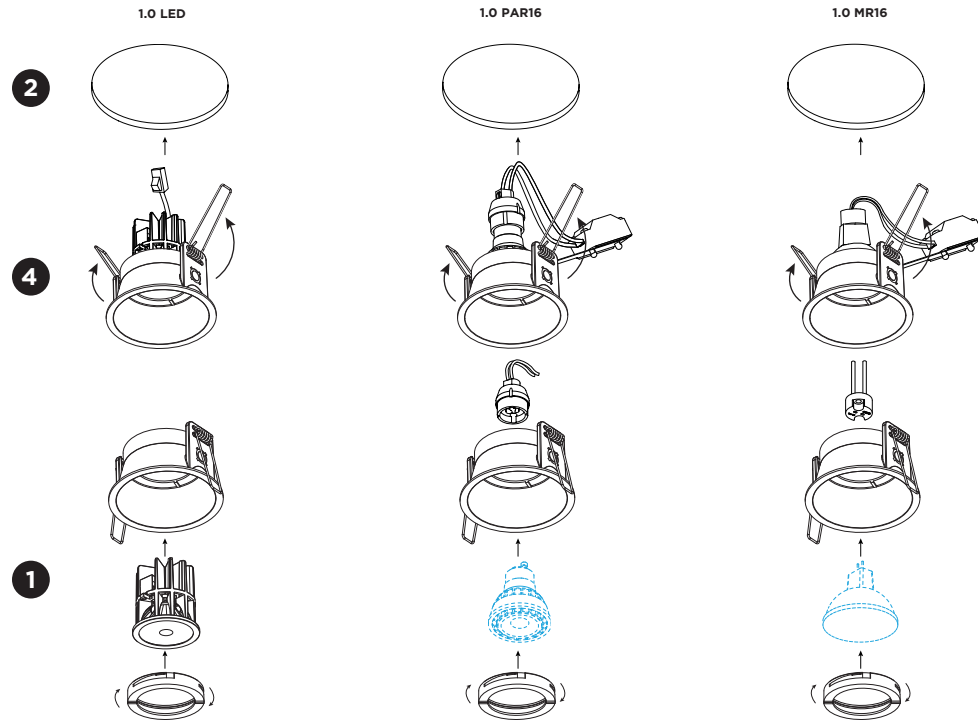

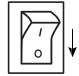


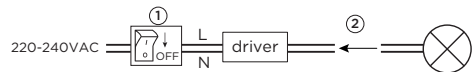
DEEPER FIX IP44

INSTALLATION INSTRUCTIONS | OCTOBER 2023

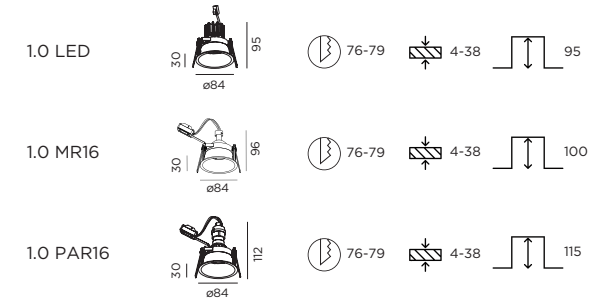


  Before connecting the luminaire/LED module to the driver please make sure the driver is not powered but disconnected from the mains. The driver can only be powered when the luminaire/LED module is already connected. Disregarding this instruction might damage or even destroy the luminaire/LED module.

Driver must be powered off before connecting the cables.



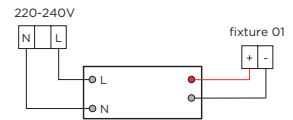
DIMENSIONS




MOUNTING INSTRUCTION

- Put the light source in the assembly set by locking the lamp ring in the housing by turning it for a quarter clockwise.
- Make a hole in the ceiling according to the prescribed dimensions.
- ### POWER CONNECTION

SERIAL CONNECTION - for LED
Always use a power supply according to the specifications of the LED module.

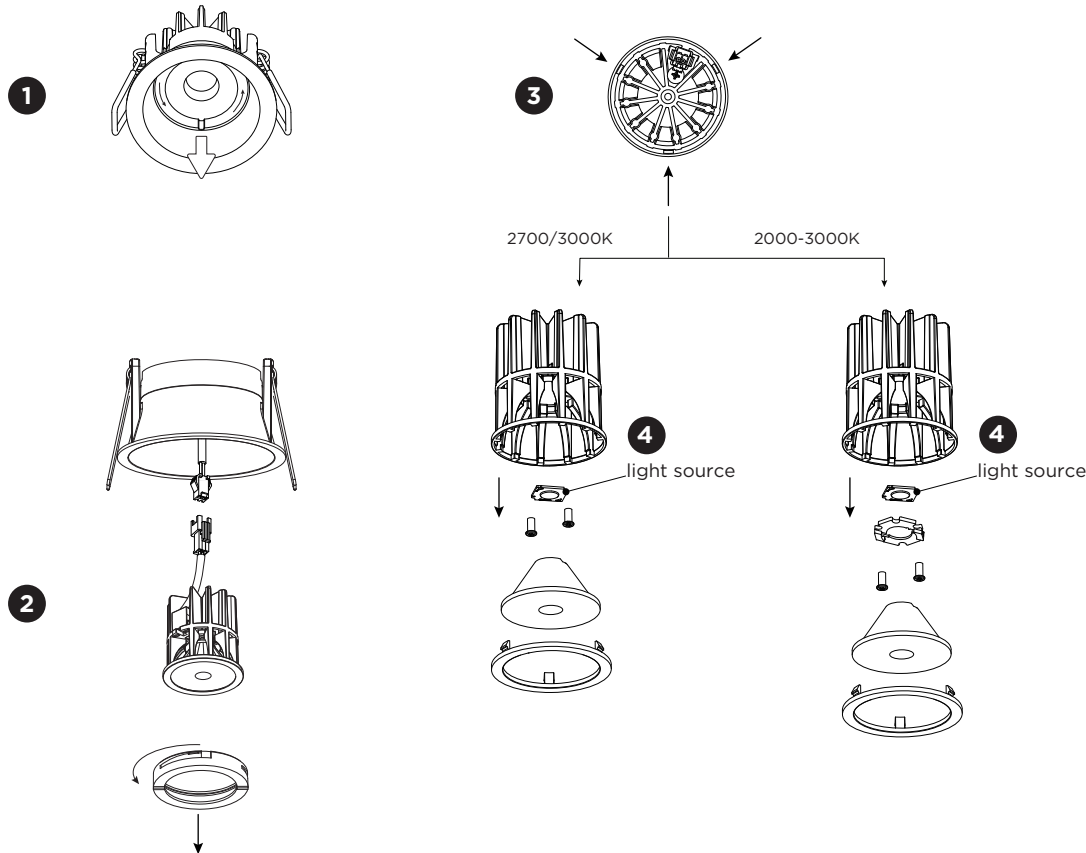


PARALLEL CONNECTION - for PAR16


- Push the springs upwards and insert the fixture in the ceiling hole.

DEEPER FIX IP44

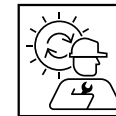
INSTALLATION INSTRUCTIONS | OCTOBER 2023



DISMOUNTING AND RECYCLING INSTRUCTIONS

Light source

- 1 Hold and turn the front ring counterclockwise to remove the LED module.
- 2 Unplug the LED module to remove it from the luminaire.
- 3 Push at the three points to loosen the front ring.
- 4 Take out the lens and unscrew the light source or holder to remove the light source.



The light source is replaceable by an authorized professional.
For advice contact your Wever & Ducré customer service contact point.

Every luminaire contains a light source with the corresponding energy class:

colour temperature	Energy class
2700K/3000K	A ↑ G D
2000-3000K	A ↑ G G