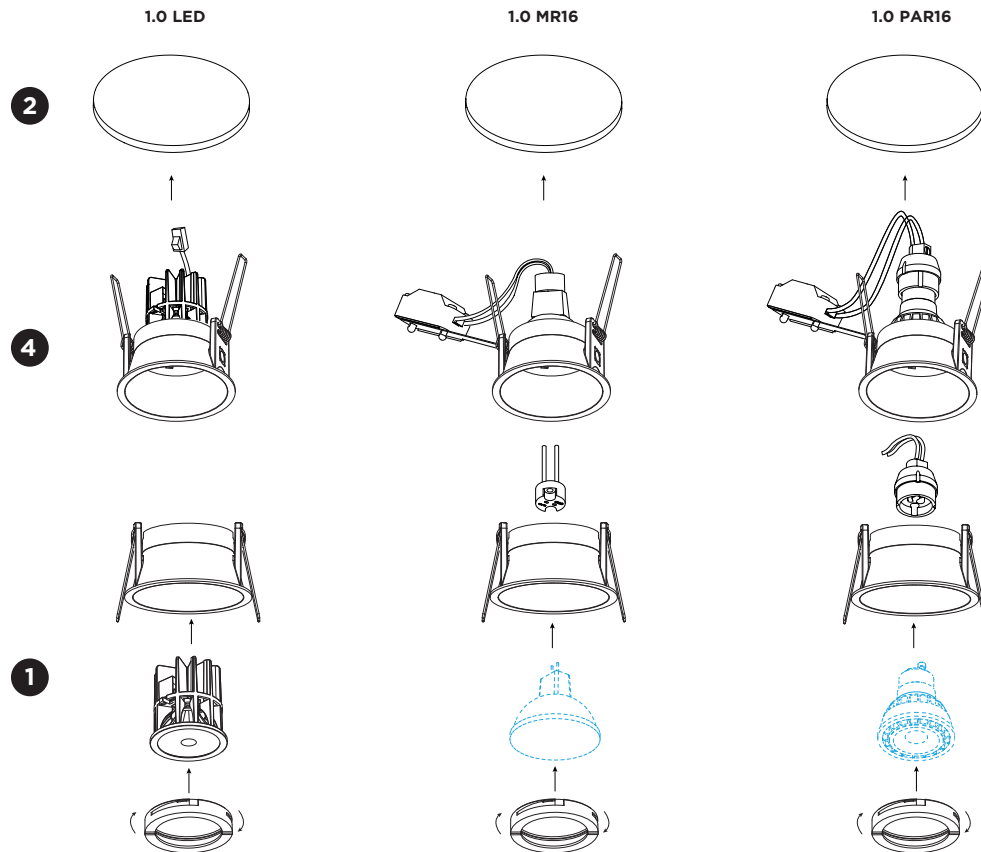
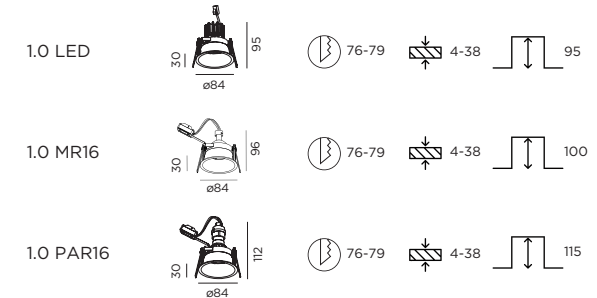


# DEEPER FIX IP20

INSTALLATION INSTRUCTIONS | OCTOBER 2023



## DIMENSIONS



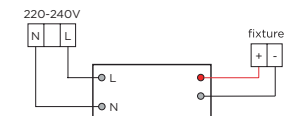
## MOUNTING INSTRUCTION

- Put the light source in the assembled cover by locking the lamp ring in the housing by turning it for a quarter.
- Make a hole in the ceiling according to the prescribed dimensions.

## POWER CONNECTION

SERIAL CONNECTION - for LED

**Always use POWER SUPPLY according to the specifications of the LED-module**



PARALLEL CONNECTION - for PAR16

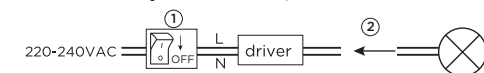


- Push the springs upwards and insert the fixture in the ceiling hole.



Driver must be powered off before connecting cables.

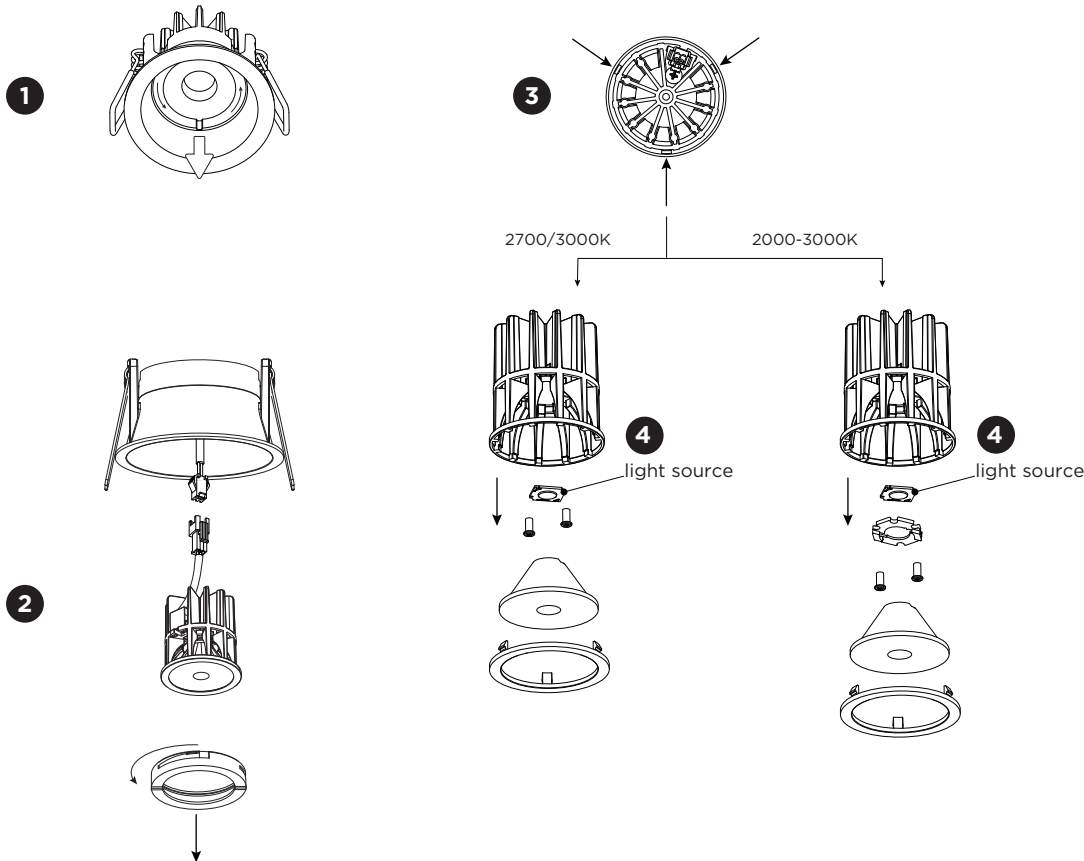
Before connecting the luminaire/LED module to the driver please make sure the driver is not powered but disconnected from the mains. The driver can only be powered when the luminaire/LED module is already connected. Disregarding this instruction might damage or even destroy the luminaire/LED module.



PB19-010-426-00\_v4

# DEEPER FIX IP20

INSTALLATION INSTRUCTIONS | OCTOBER 2023



## DISMOUNTING AND RECYCLING INSTRUCTIONS

### Light source

- 1 Hold and turn the front ring counterclockwise to remove the LED-module.
- 2 Unplug the LED Module to remove it from the luminaire.
- 3 Push at the three points to loosen the front ring.
- 4 Take out the lens and unscrew the light source to remove it.



The light source is replaceable by an authorized professional.  
For advice contact your Wever & Ducre customer service contact point.

Every luminaire contains a light source with the corresponding energy class:

colour temperature	Energy class
2700K/3000K	A ↑ G D
2000-3000K	A ↑ G G