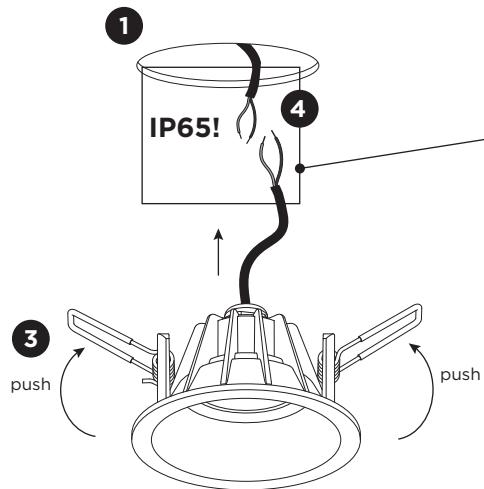


DEEP PETIT IP65

INSTALLATION INSTRUCTIONS | DECEMBER 2023



Included:

waterproof connectors:



Optional:

IP68 connection box:

order ref. 73240705 = 2 WAYS 2x0,75Ø4,8-6mm

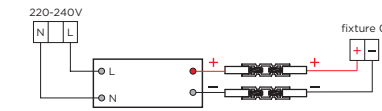
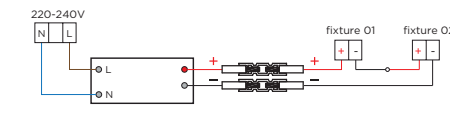
Before connecting the luminaire/LED module to the driver please make sure the driver is not powered but disconnected from the mains. The driver can only be powered when the luminaire/LED module is already connected. Disregarding this instruction might damage or even destroy the luminaire/LED module.

Driver must be powered off before connecting the cables.

DIMENSIONS

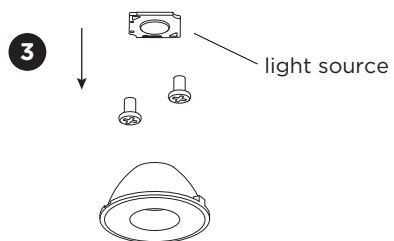
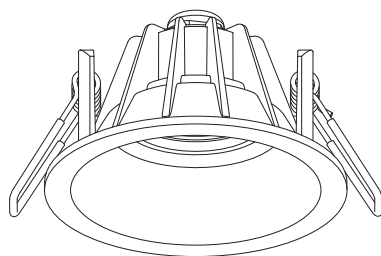
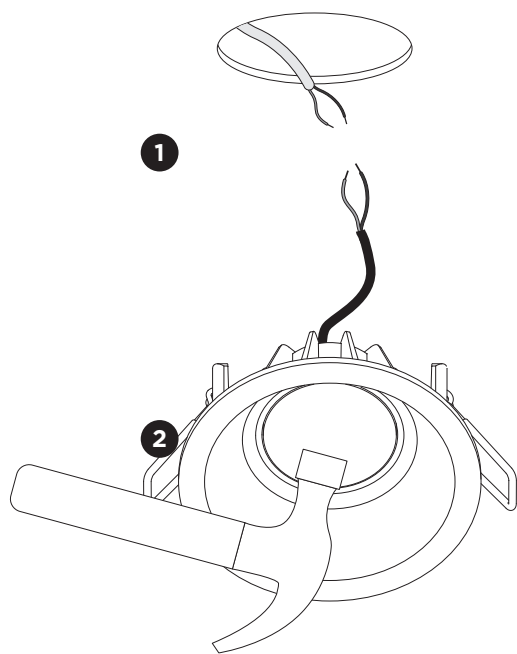


MOUNTING INSTRUCTION

- 1** Make a hole in the ceiling according to the prescribed dimensions.
- 2** Always use a driver according to the specifications of the LED module/luminaire and IP rating. Connect the wires with the waterproof connections. Please see the detail method in the separate instruction sheet of waterproof connection.
 - Single Connection**
 - Multiple Connection**

- 3** Push the springs upwards and insert the fixture in the ceiling hole.
- 4** Make sure to use a waterproof connection when the product needs to be IP65.

DEEP PETIT IP65

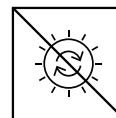
INSTALLATION INSTRUCTIONS | DECEMBER 2023



DISMANTLING AND RECYCLING INSTRUCTIONS

Light source

- 1 Take the luminaire out of the ceiling hole and disconnect the wires.
- 2 Break the glass.
- 3 Take out the lens and unscrew the light source to remove it.



The light source is not replaceable.



This luminaire contains a light source with the energy class D.