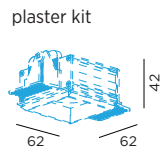
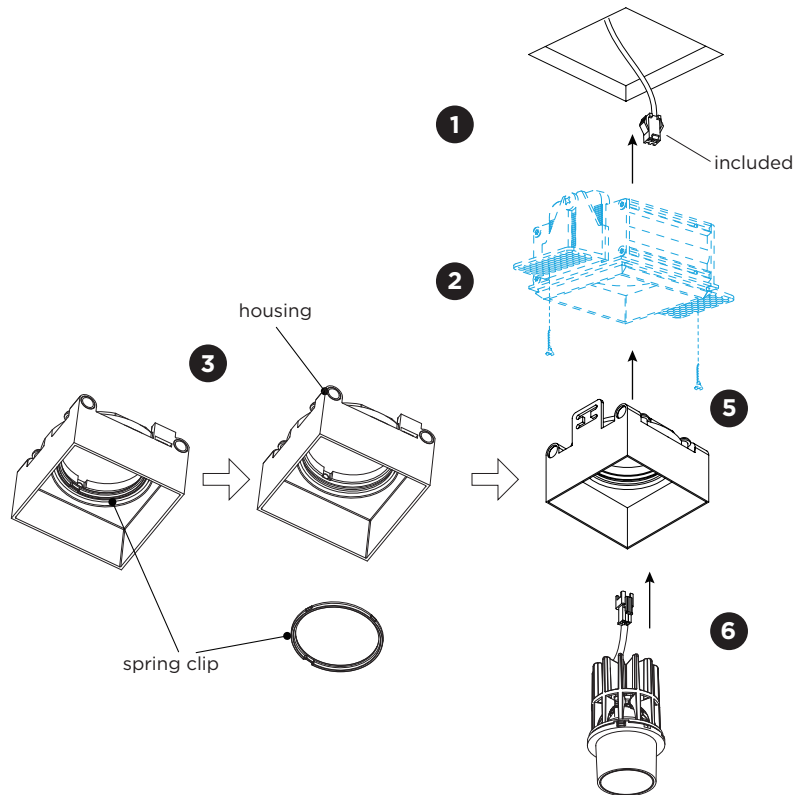


SNEAK TRIMLESS 1.0

INSTALLATION INSTRUCTIONS | MARCH 2023



! Before connecting the luminaire/LED module to the driver please make sure the driver is not powered but disconnected from the mains. The driver can only be powered when the luminaire/LED module is already connected. Disregarding this instruction might damage or even destroy the luminaire/LED module.

Driver must be powered off before connecting the cables.

DIMENSIONS



MOUNTING INSTRUCTION

- 1 Make a hole in the ceiling according to the prescribed dimensions (always use a plasterkit).
- 2 Mount the plasterkit into the ceiling and screw it tightly on the ceiling, then plaster the borders seamlessly (screws are not included).

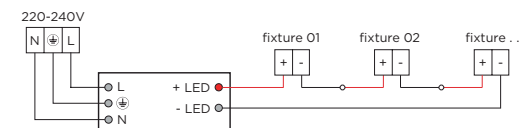
See separate installation instruction of the plasterkit.

- 3 Pull out the the spring clip to remove it from the housing.

4 POWER CONNECTION

Always use a driver according to the specifications of the LED module.

SERIAL CONNECTION - for LED

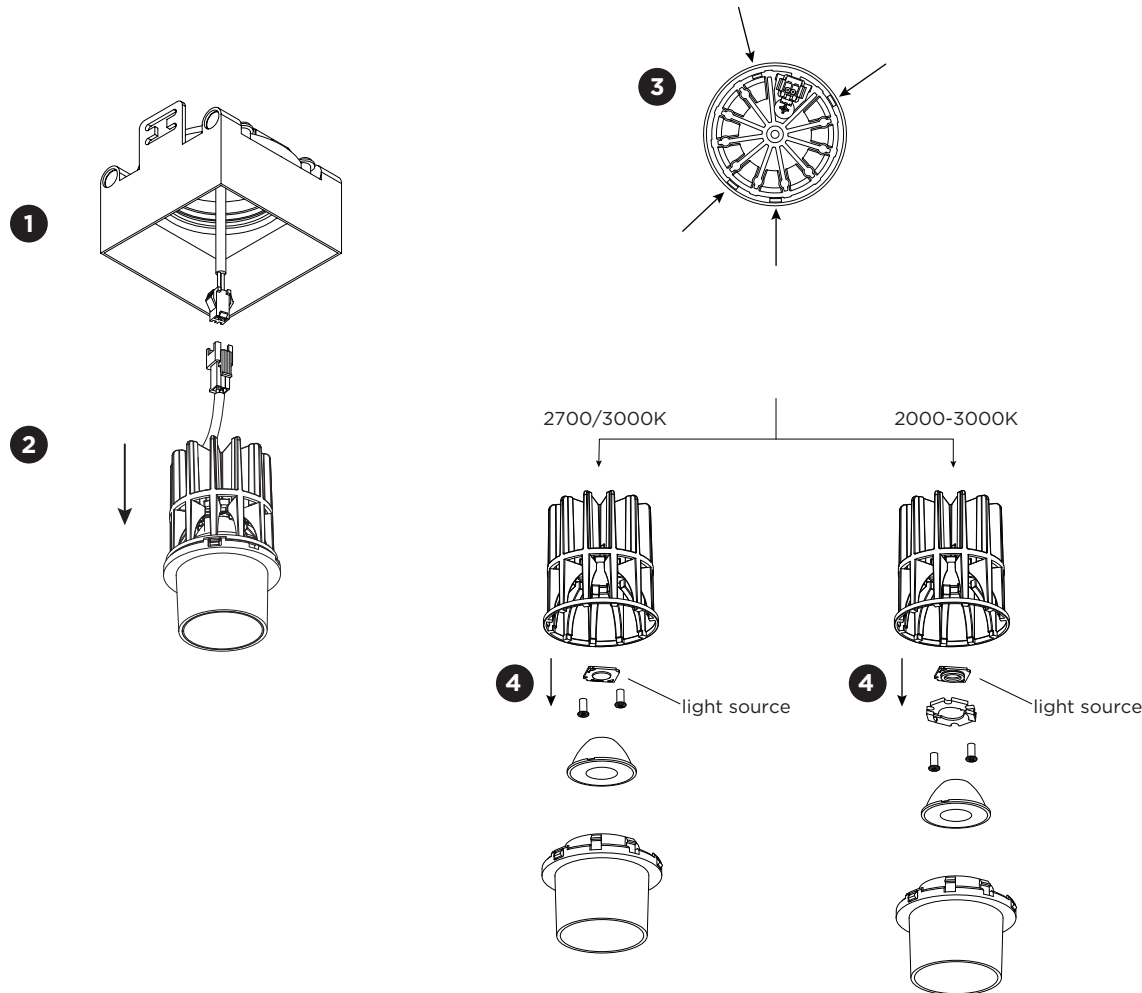


- 5 Insert the housing in the plasterkit.
- 6 Connect the plugs and push the LED module directly into the housing. A spring clip is not required.

PB19-010-646-00_V2

SNEAK TRIMLESS 1.0

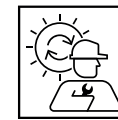
INSTALLATION INSTRUCTIONS | MARCH 2023



DISMOUNTING AND RECYCLING INSTRUCTIONS

Light source

- 1 Pull out the housing from the plasterkit.
- 2 Unplug the LED module to remove it from the luminaire.
- 3 Push at the four points to loosen the snout.
- 4 Take the lens out and unscrew the holder or light source to remove the light source.



The light source is replaceable by an authorized professional.
For advice contact your Wever & Ducré customer service contact point.



This luminaire contains a light source with the energy class D.