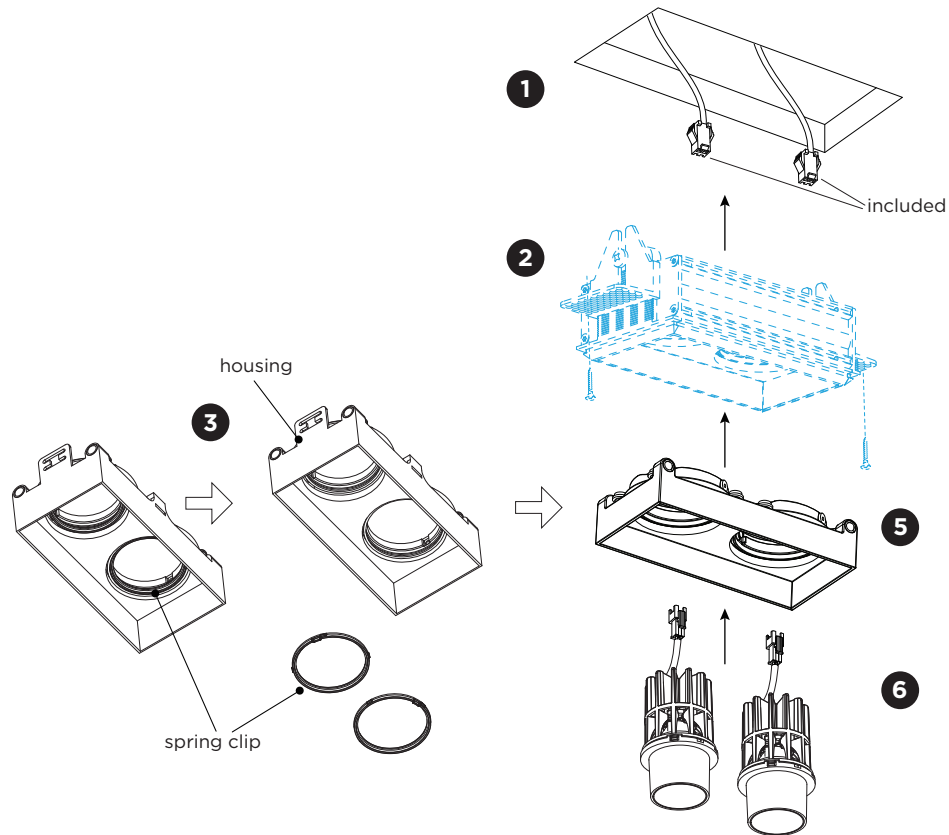


# SNEAK TRIMLESS 2.0

INSTALLATION INSTRUCTIONS | MARCH 2023



## DIMENSIONS

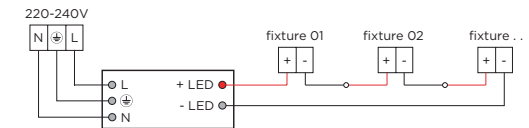


## MOUNTING INSTRUCTION

- 1 Make a hole in the ceiling according to the prescribed dimensions (always use a plasterkit).
- 2 Mount the plasterkit into the ceiling and screw it tightly on the ceiling, then plaster the borders seamlessly (screws are not included).  
See separate installation instruction of the plasterkit.

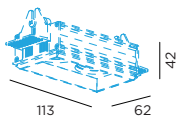
- 3 Pull out the the spring clips to remove them from the housing.

- 4 **POWER CONNECTION**  
Always use a driver according to the specifications of the LED module.  
**SERIAL CONNECTION** - for LED



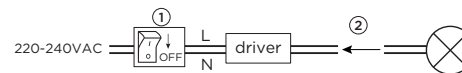
- 5 Insert the housing in the plasterkit.
- 6 Connect the plugs and push the LED module directly into the housing. A spring clip is not required.

plaster kit



Driver must be powered off before connecting the cables.

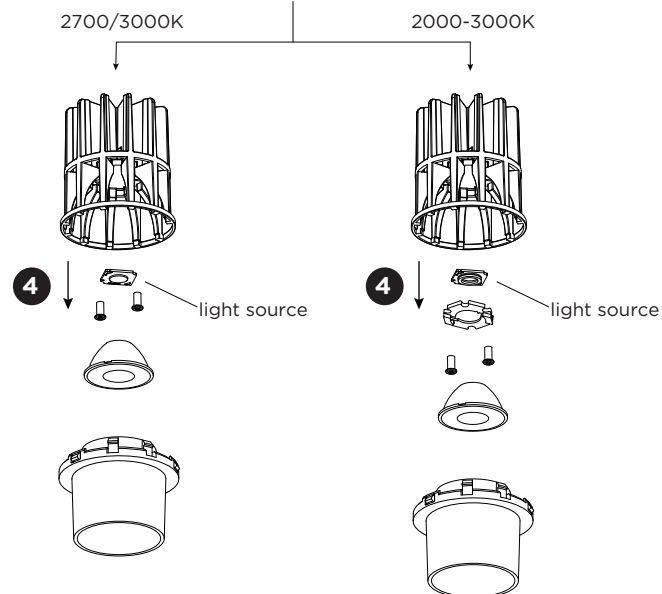
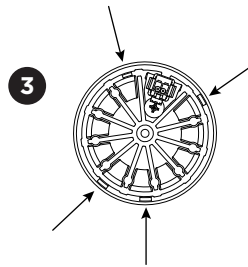
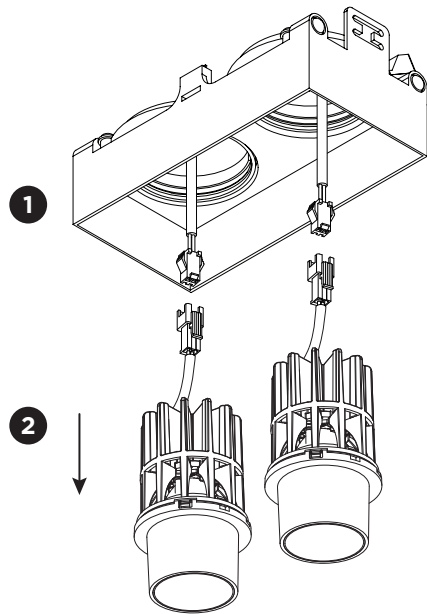
Before connecting the luminaire/LED module to the driver please make sure the driver is not powered but disconnected from the mains. The driver can only be powered when the luminaire/LED module is already connected. Disregarding this instruction might damage or even destroy the luminaire/LED module.



PB19-010-647-00\_V2

# SNEAK TRIMLESS 2.0

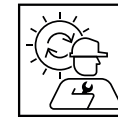
INSTALLATION INSTRUCTIONS | MARCH 2023



## DISMOUNTING AND RECYCLING INSTRUCTIONS

### Light source

- 1 Pull out the housing from the plasterkit.
- 2 Unplug the LED module(s) to remove it/them from the luminaire.
- 3 Push at the four points to loosen the snoot(s).
- 4 Take the lens(es) out and unscrew the holder(s) or light source(s) to remove the light source(s).



The light source is replaceable by an authorized professional.  
For advice contact your Wever & Ducré customer service contact point.



This luminaire contains a light source with the energy class D.