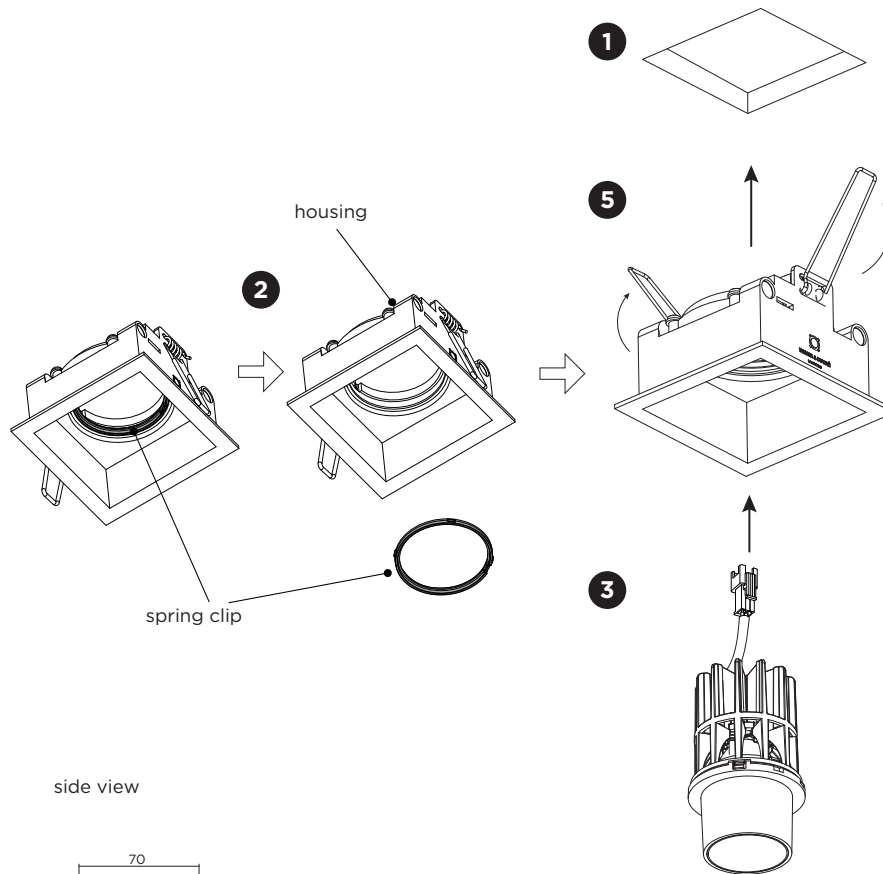
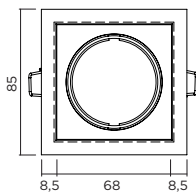


SNEAK TRIM 1.0

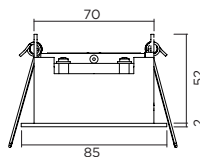
INSTALLATION INSTRUCTIONS | MARCH 2023



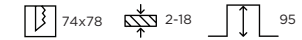
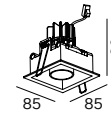
bottom view



side view



DIMENSIONS



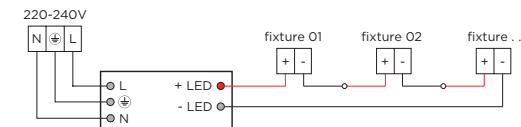
MOUNTING INSTRUCTION

- 1 Make a hole in the ceiling according to the prescribed dimensions.
- 2 Pull out the the spring clip to remove it from the housing.
- 3 Push the LED module directly into the housing. A spring clip is not required.

4 POWER CONNECTION

SERIAL CONNECTION - for LED

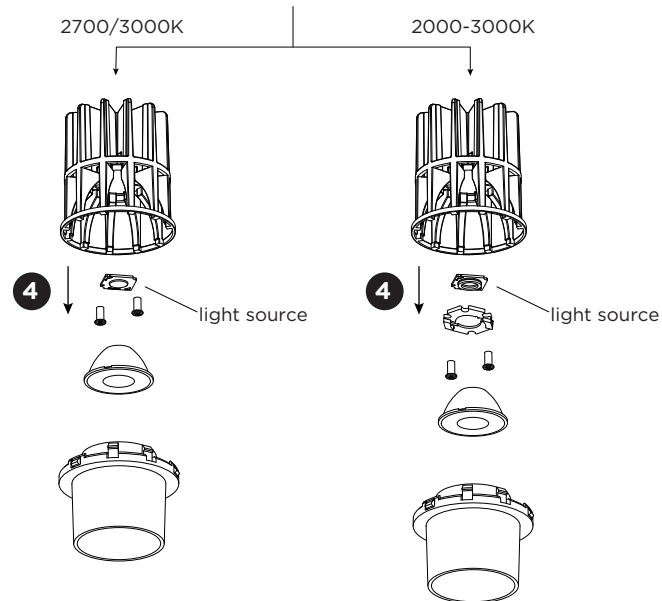
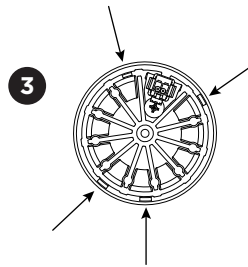
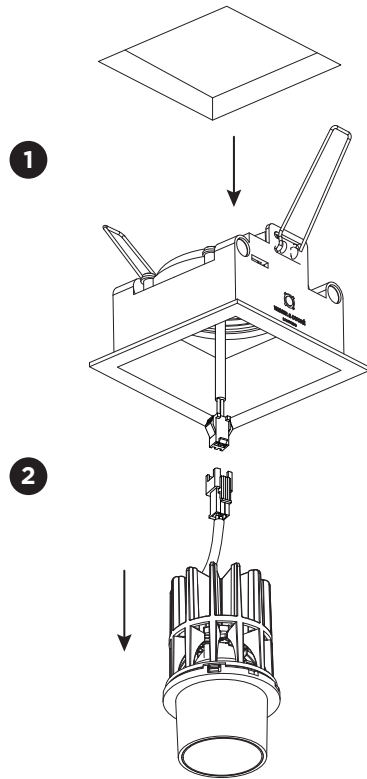
Always use a power supply according to the specifications of the LED module.



- 5 Push the springs upwards and insert the housing into the ceiling hole.

SNEAK TRIM 1.0

INSTALLATION INSTRUCTIONS | MARCH 2023



DISMOUNTING AND RECYCLING INSTRUCTIONS

Light source

- 1 Take out the fixture from the ceiling.
- 2 Unplug the LED module to remove it from the luminaire.
- 3 Push at the four points to loosen the snoot.
- 4 Take the lens out and unscrew the holder or light source to remove the light source.



The light source is replaceable by an authorized professional. For advice contact your Wever & Ducré customer service contact point.



This luminaire contains a light source with the energy class D.