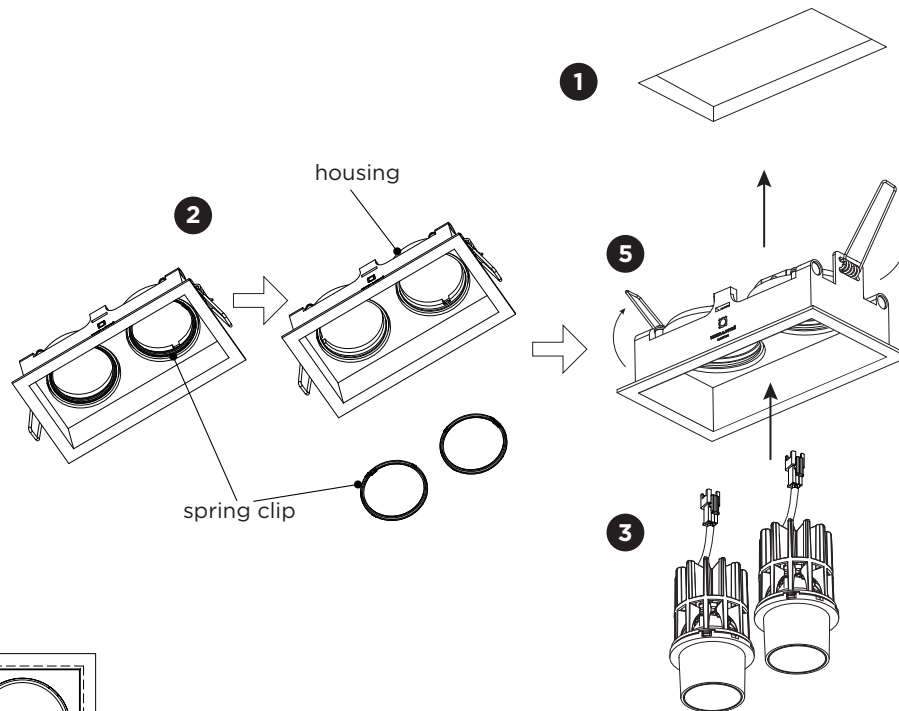
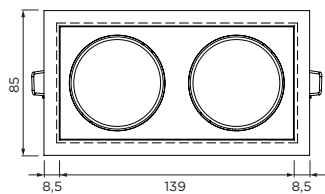


SNEAK TRIM 2.0

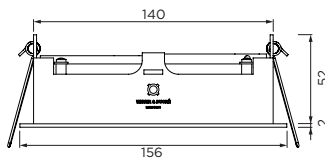
INSTALLATION INSTRUCTIONS | MARCH 2023



bottom view

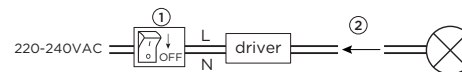


side view



Driver must be powered off before connecting the cables.

Before connecting the luminaire/LED module to the driver please make sure the driver is not powered but disconnected from the mains. The driver can only be powered when the luminaire/LED module is already connected. Disregarding this instruction might damage or even destroy the luminaire/LED module.

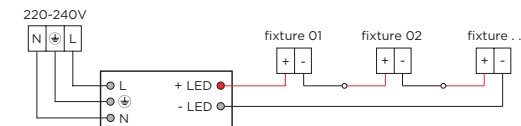


DIMENSIONS



MOUNTING INSTRUCTION

- 1 Make a hole in the ceiling according to the prescribed dimensions.
- 2 Pull out the the spring clips to remove them from the housing.
- 3 Push the LED modules directly into the housing. A spring clip is not required.
- 4 **POWER CONNECTION**
SERIAL CONNECTION - for LED
Always use a power supply according to the specifications of the LED module.
- 5 Push the springs upwards and insert the housing into the ceiling hole.



SNEAK TRIM 2.0

INSTALLATION INSTRUCTIONS | MARCH 2023



DISMOUNTING AND RECYCLING INSTRUCTIONS

Light source

- 1 Take out the fixture from the ceiling.
- 2 Unplug the LED module(s) to remove it/them from the luminaire.
- 3 Push at the four points to loosen the snoot(s).
- 4 Take the lens(es) out and unscrew the holder(s) or light source(s) to remove the light source(s).



The light source is replaceable by an authorized professional.
For advice contact your Wever & Ducré customer service contact point.



This luminaire contains a light source with the energy class D.

