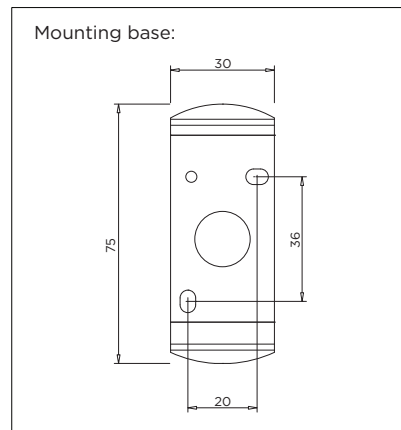
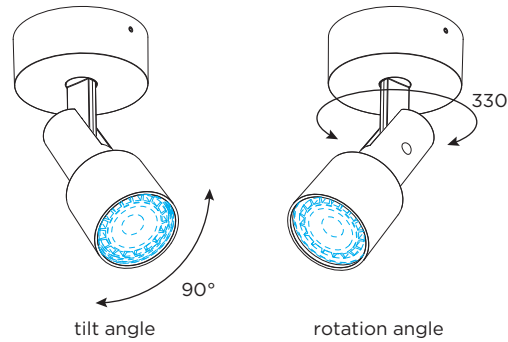
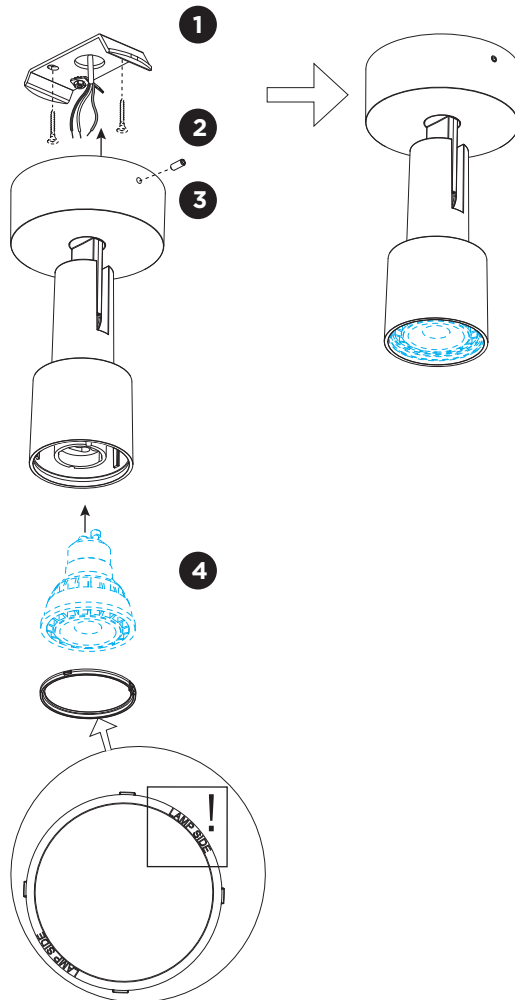
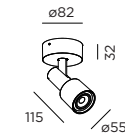


SARA on base 1.1

INSTALLATION INSTRUCTIONS | MAY 2020



DIMENSIONS



1.1 PAR16

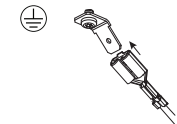
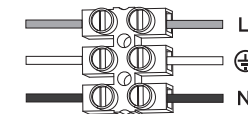
MOUNTING INSTRUCTION

- 1 Remove the mounting base from the luminaire by loosening the socket screw and mount it on the wall with screws (screws are not included).

- 2 **POWER CONNECTION**

Connect to 220-240V.

Connect the earth cable.



- 3 Fixate the luminaire on the base with the socket screw.
- 4 Mount the lamp in the luminaire using the spring clip.