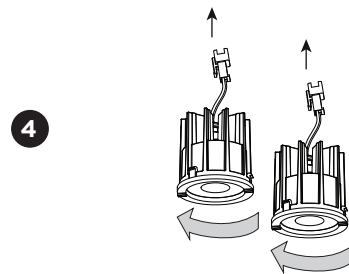
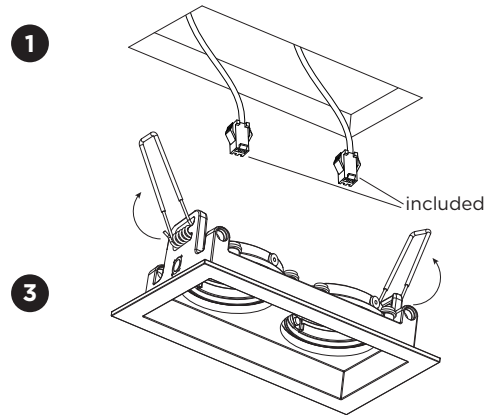


PLANO PETIT 2.0

INSTALLATION INSTRUCTIONS | APRIL 2023



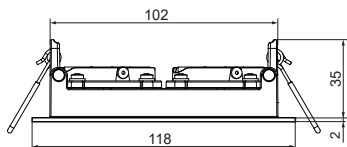
DIMENSIONS



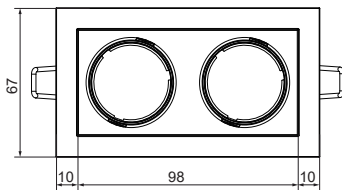
MOUNTING INSTRUCTION

- 1** Make a hole in the ceiling according to the prescribed dimensions.
 - 2 POWER CONNECTION**
Always use a driver according to the specifications of the LED module.
SERIAL CONNECTION - for LED
-
- 3** Push the springs upwards and insert the fixture in the ceiling hole.
 - 4** Connect the plugs and lock the LED modules into the housing by a quarter turn clockwise.

side view



bottom view

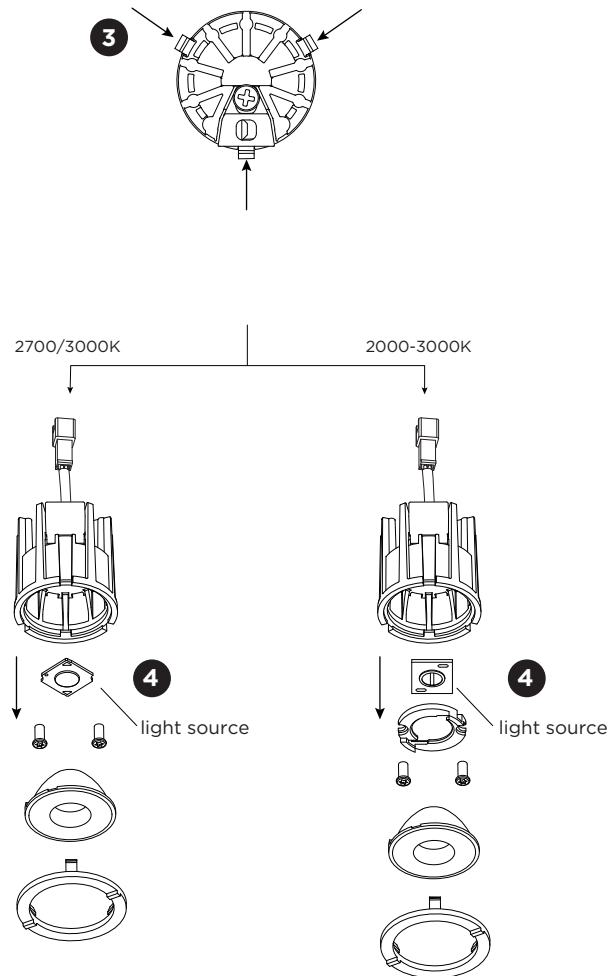
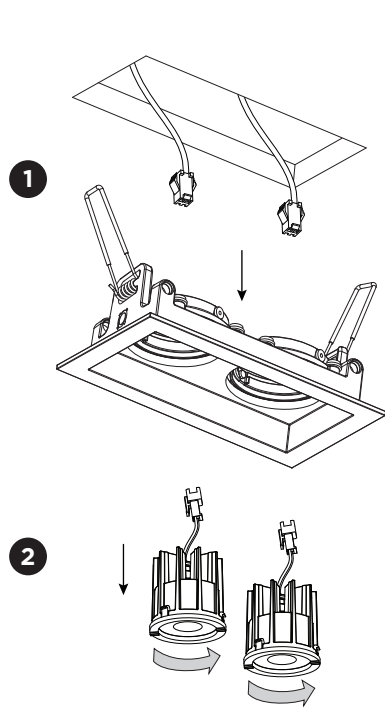


Before connecting the luminaire/LED module to the driver please make sure the driver is not powered but disconnected from the mains. The driver can only be powered when the luminaire/LED module is already connected. Disregarding this instruction might damage or even destroy the luminaire/LED module.

Driver must be powered off before connecting the cables.

PLANO PETIT 2.0

INSTALLATION INSTRUCTIONS | APRIL 2023



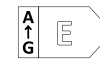
DISMOUNTING AND RECYCLING INSTRUCTIONS

Light source

- 1 Take the luminaire out of the ceiling hole and unplug the connectors.
- 2 Turn the LED modules by a quarter counter clockwise to pull them out.
- 3 Push at the three points to loosen the front ring.
- 4 Take out the lens and unscrew the holder or light source to remove the light source.



The light source is replaceable by an authorized professional. For advice contact your Wever & Ducré customer service contact point.



This luminaire contains a light source with the energy class E.