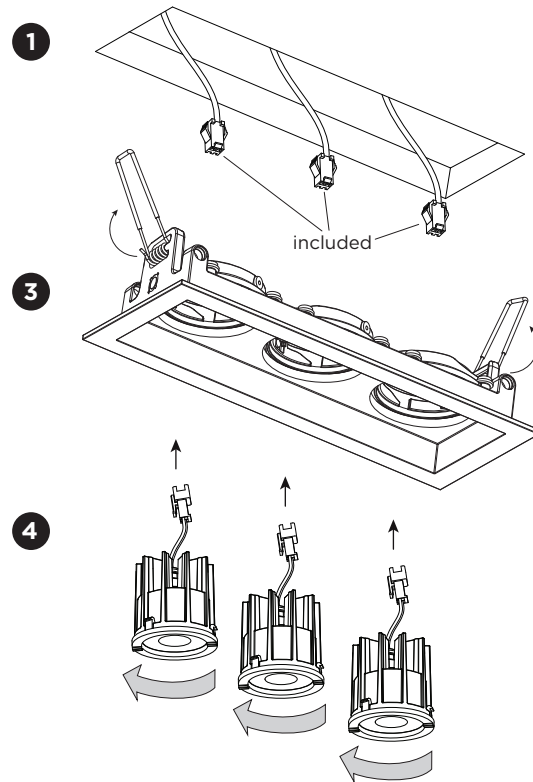
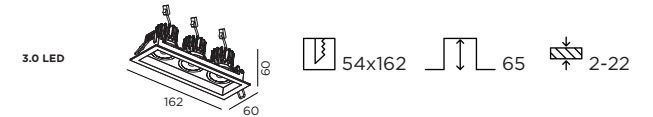


PLANO PETIT 3.0

INSTALLATION INSTRUCTIONS | APRIL 2023

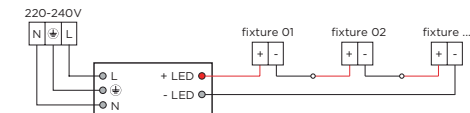


DIMENSIONS

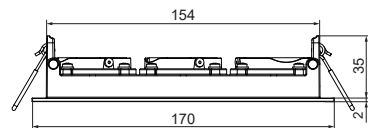


MOUNTING INSTRUCTION

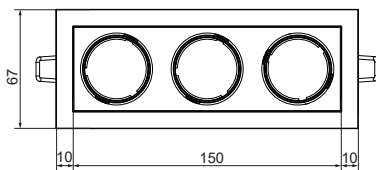
- 1 Make a hole in the ceiling according to the prescribed dimensions.
- 2 **POWER CONNECTION**
Always use a driver according to the specifications of the LED module.
SERIAL CONNECTION - for LED
- 3 Push the springs upwards and insert the fixture in the ceiling hole.
- 4 Connect the plugs and lock the LED modules into the housing by a quarter turn clockwise.



side view

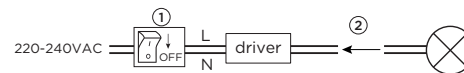


bottom view



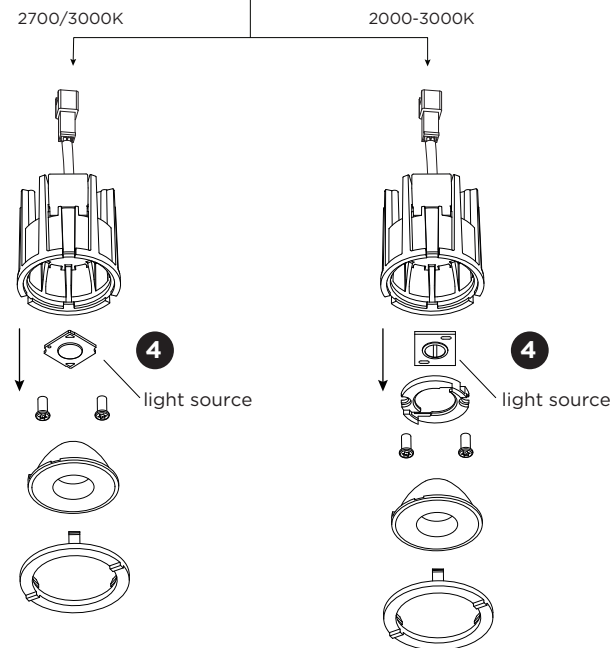
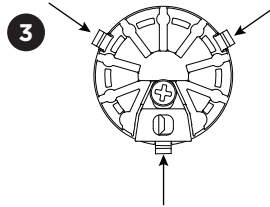
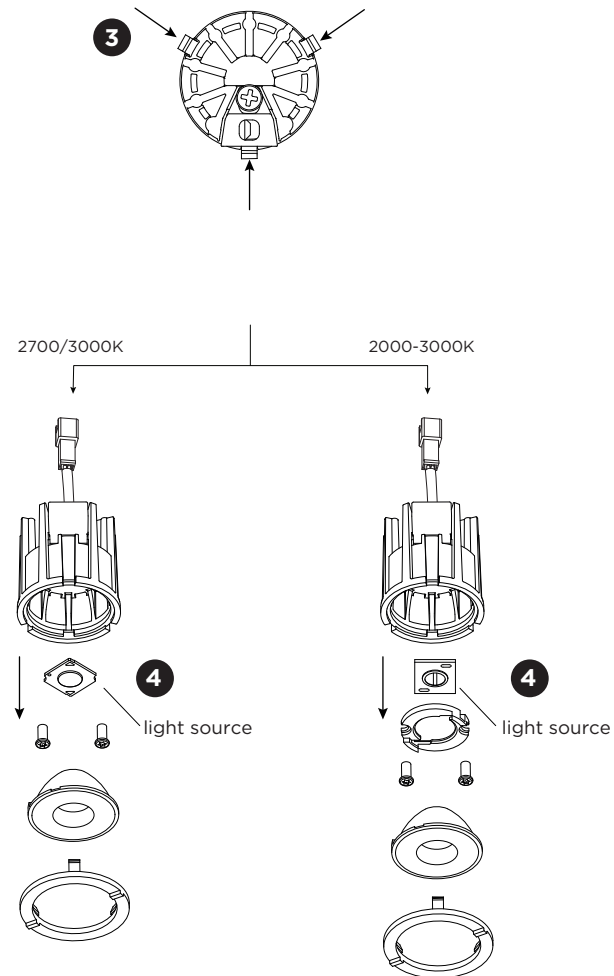
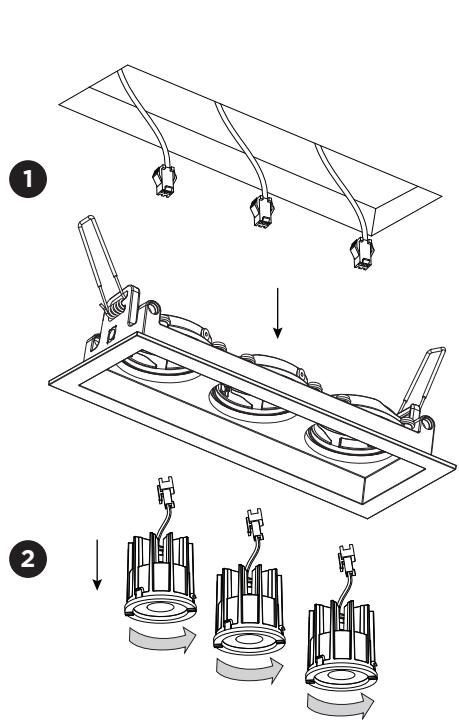
Driver must be powered off before connecting the cables.

Before connecting the luminaire/LED module to the driver please make sure the driver is not powered but disconnected from the mains. The driver can only be powered when the luminaire/LED module is already connected. Disregarding this instruction might damage or even destroy the luminaire/LED module.



PLANO PETIT 3.0

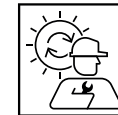
INSTALLATION INSTRUCTIONS | APRIL 2023



DISMOUNTING AND RECYCLING INSTRUCTIONS

Light source

- 1 Take the luminaire out of the ceiling hole and unplug the connectors.
- 2 Turn the LED modules by a quarter counter clockwise to pull them out.
- 3 Push at the three points to loosen the front ring.
- 4 Take out the lens and unscrew the holder or light source to remove the light source.



The light source is replaceable by an authorized professional. For advice contact your Wever & Ducré customer service contact point.



This luminaire contains a light source with the energy class E.