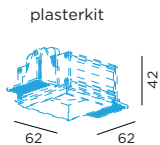
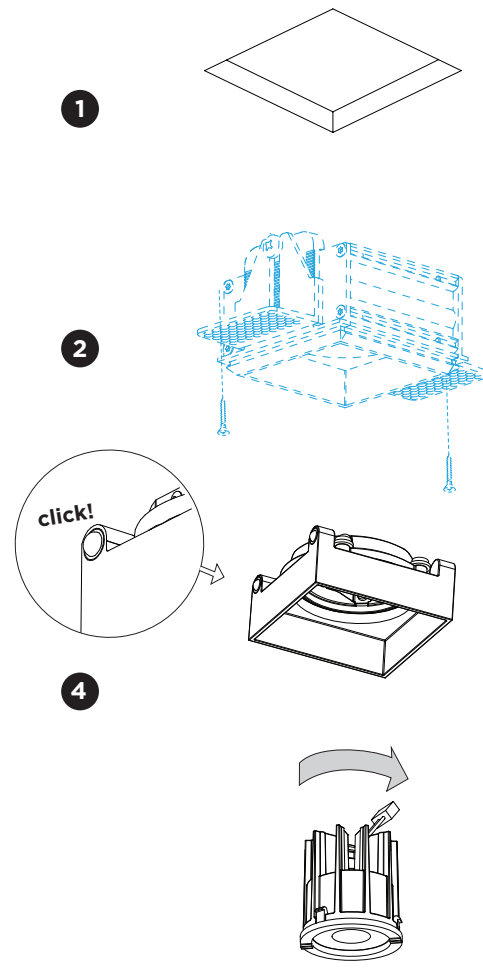


# STRANGE PETIT 1.0

INSTALLATION INSTRUCTIONS | DECEMBER 2022



## DIMENSIONS



## MOUNTING INSTRUCTION

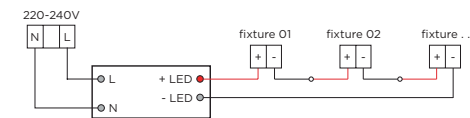
- 1 Make a hole in the ceiling according to the prescribed dimensions. Always use a plasterkit.
- 2 Mount the plasterkit into the ceiling and screw it tightly on the ceiling, then plaster the borders seamlessly (screws are not included).

See separate installation instruction of the plasterkit.

## 3 POWER CONNECTION

SERIAL CONNECTION - for LED

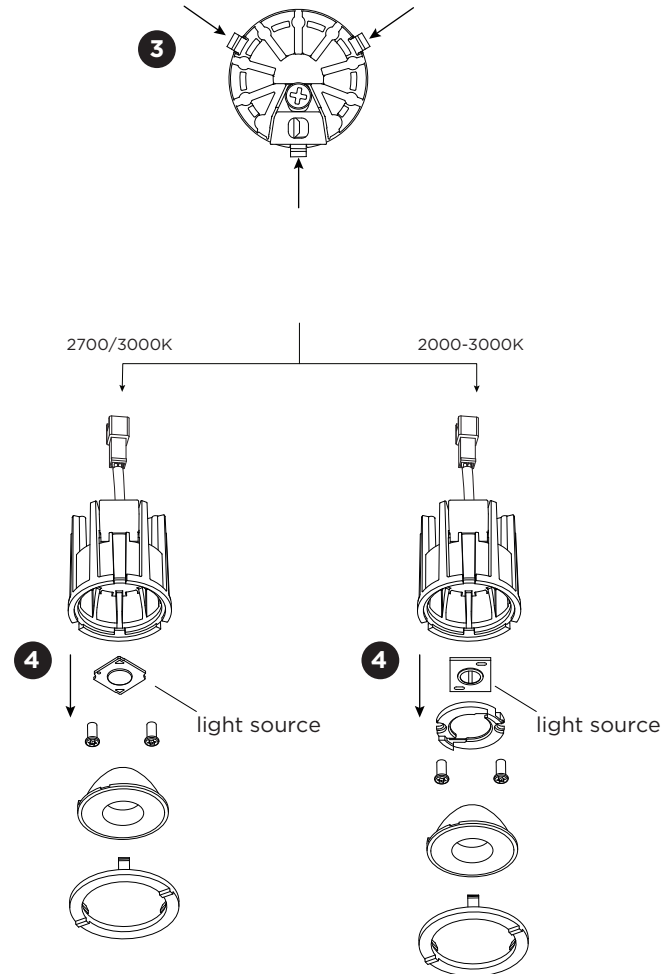
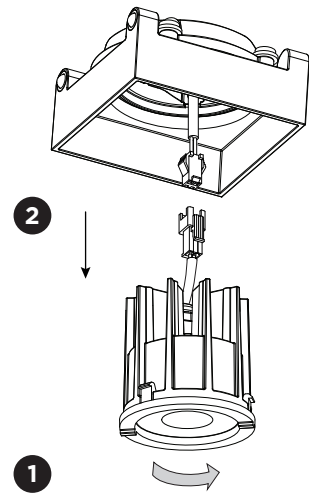
Always use a driver according to the specifications of the LED module.



- 4 Click the housing in the installed plasterkit and lock the LED module into the housing by a quarter turn clockwise.

# STRANGE PETIT 1.0

INSTALLATION INSTRUCTIONS | DECEMBER 2022



## DISMOUNTING AND RECYCLING INSTRUCTIONS

### Light source

- 1 Turn the LED module a quarter counter clockwise to pull it out.
- 2 Unplug the LED module to remove it from the housing.
- 3 Push at the three points to loosen the front ring.
- 4 Take out the lens and unscrew the holder or light source to remove the light source.



The light source is replaceable by an authorized professional.  
For advice contact your Wever & Ducre customer service contact point.



This luminaire contains a light source with the energy class E.



WEVER & DUCRÉ  
LIGHTING

WEVER & DUCRÉ BV  
Spinnerijstraat 99/21, 8500 Kortrijk, Belgium  
weverducre.com