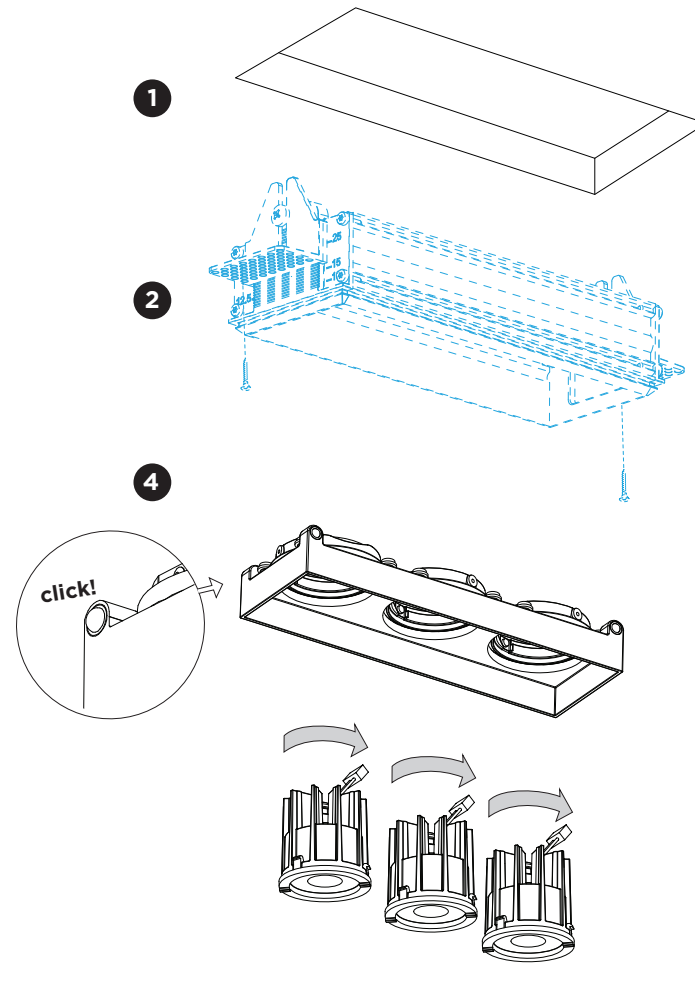
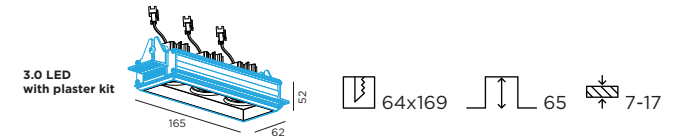


STRANGE PETIT 3.0

INSTALLATION INSTRUCTIONS | DECEMBER 2022



DIMENSIONS



MOUNTING INSTRUCTION

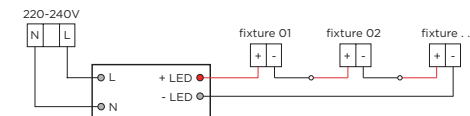
- 1 Make a hole in the ceiling according to the prescribed dimensions. Always use a plasterkit.
- 2 Mount the plasterkit into the ceiling and screw it tightly on the ceiling, then plaster the borders seamlessly (screws are not included).

See separate installation instruction of the plasterkit.

3 POWER CONNECTION

SERIAL CONNECTION - for LED

Always use a driver according to the specifications of the LED module.

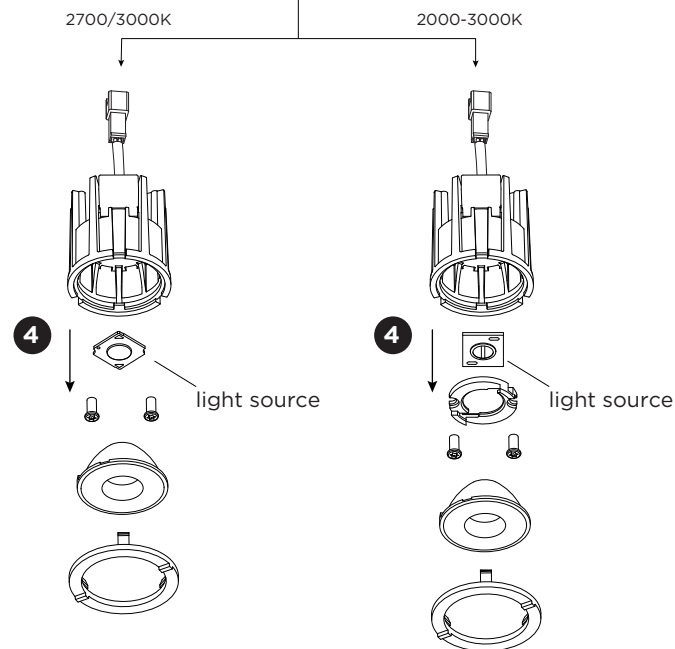
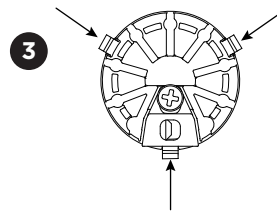
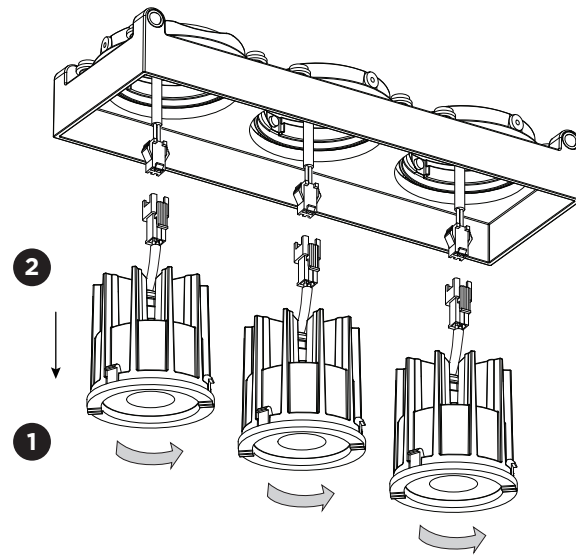


- 4 Insert the housing in the installed plasterkit and lock the LED modules into the housing by a quarter turn clockwise.

PB19-010-570-00_V1

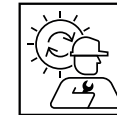
STRANGE PETIT 3.0

INSTALLATION INSTRUCTIONS | DECEMBER 2022



DISMOUNTING AND RECYCLING INSTRUCTIONS Light source

- 1 Turn the LED modules a quarter counter clockwise to pull them out.
- 2 Unplug the LED modules to remove them from the housing.
- 3 Push at the three points to loosen the front ring.
- 4 Take out the lens and unscrew the holder or light source to remove the light source.



The light source is replaceable by an authorized professional.
For advice contact your Wever & Ducre customer service contact point.



This luminaire contains a light source with the energy class E.