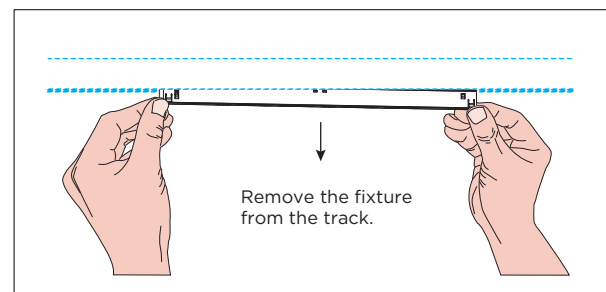
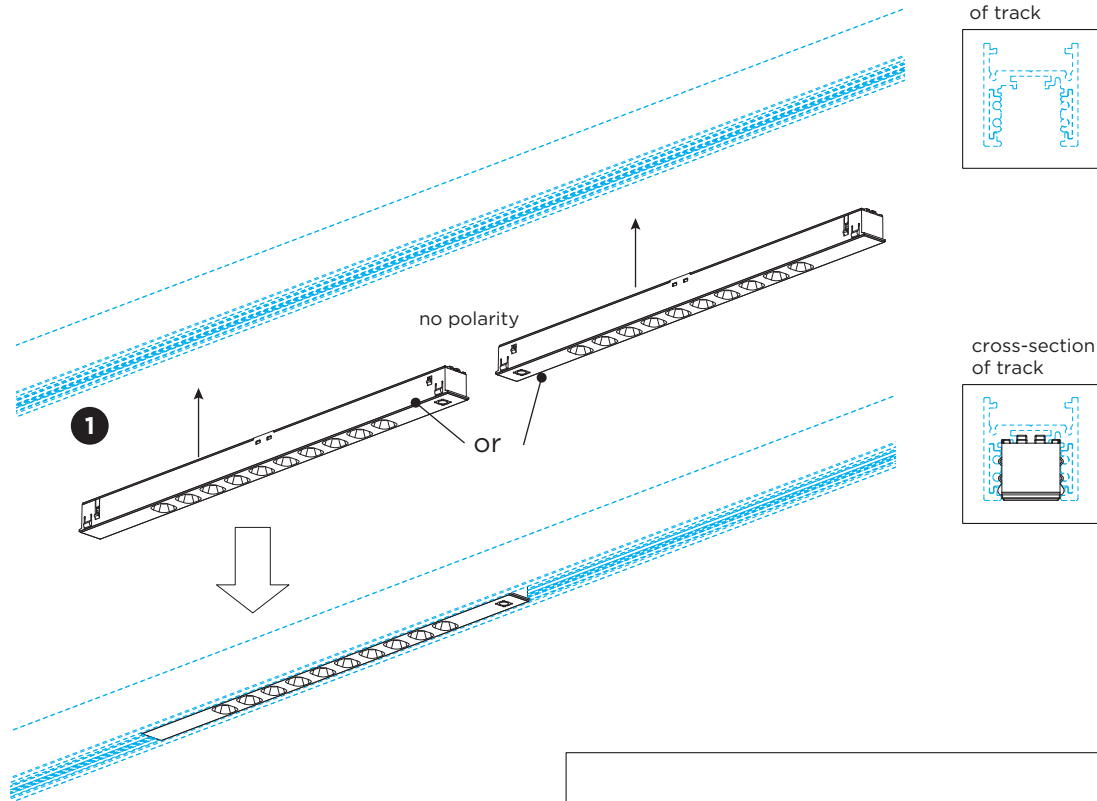
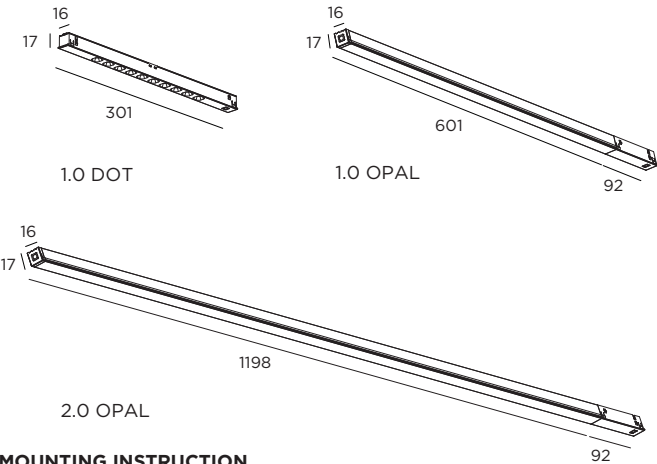


STREX MODULE

INSTALLATION INSTRUCTIONS | DECEMBER 2022



DIMENSIONS

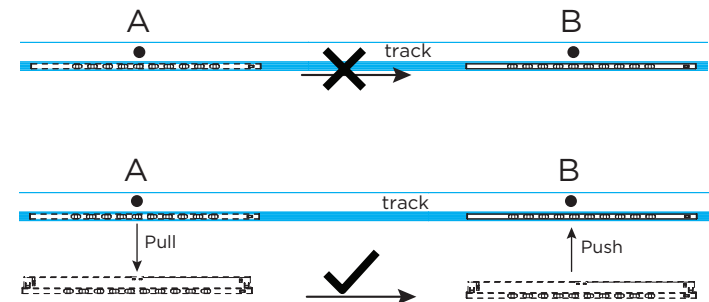


MOUNTING INSTRUCTION

- 1 Push the fixture into the track at the preferred location.



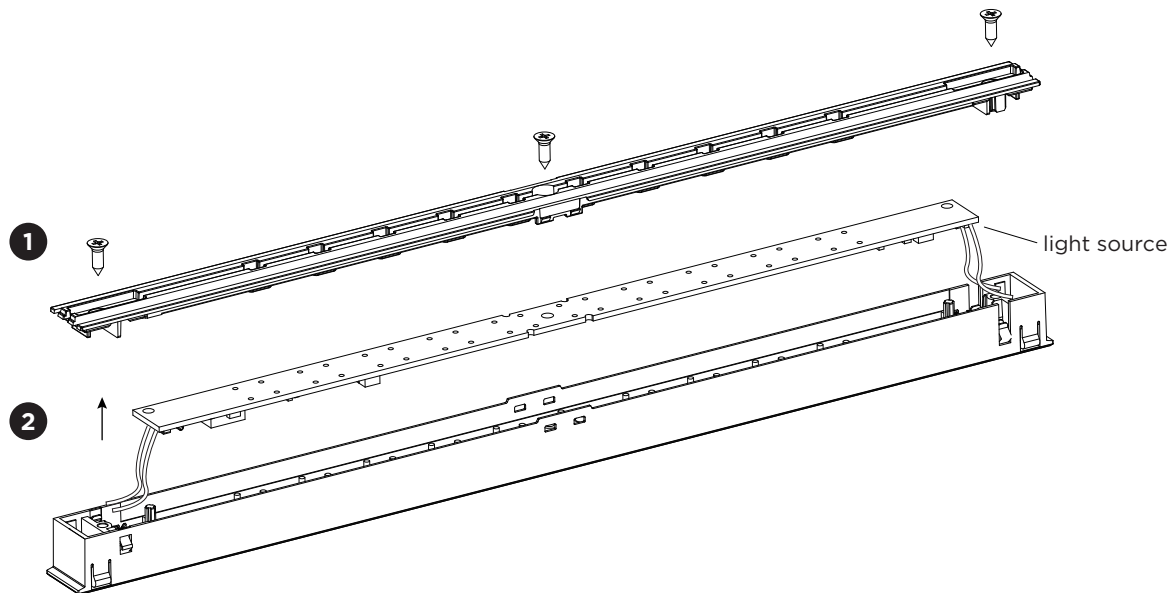
Note: the fixture is not allowed to slide in the track. If you want to change the location of the fixture in the track, please pull the fixture out of the track and install it in the correct position.



PB19-010-693-00_V2

STREX MODULE

INSTALLATION INSTRUCTIONS | DECEMBER 2022



DISMOUNTING AND RECYCLING INSTRUCTIONS

Light source

- 1 Loosen the screws and remove the backplate.
- 2 Remove the light source by removing the wires from the clamps.



The light source is replaceable by an authorized professional.
For advice contact your Wever & Ducré customer service contact point.



This luminaire contains a light source with the energy class F.



WEVER & DUCRÉ
LIGHTING

WEVER & DUCRÉ BV
Spinnerijstraat 99/21, 8500 Kortrijk, Belgium
weverducre.com