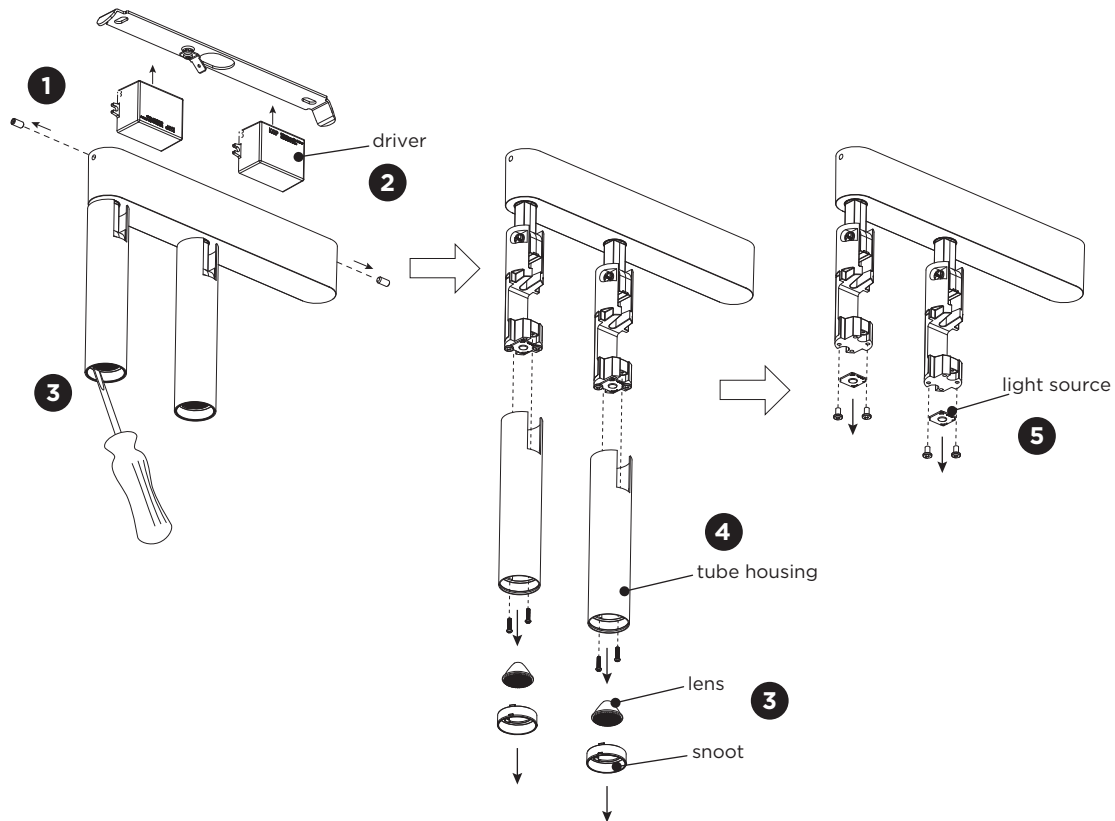


MATCH ceiling surface

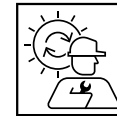
INSTALLATION INSTRUCTIONS | DECEMBER 2023



DISMOUNTING AND RECYCLING INSTRUCTIONS

Light source & driver

- 1 Loosen the socket screws from the fixture to remove it from the mounting base.
- 2 Disconnect the wires and remove the driver(s).
- 3 Pull out the snoot(s) using any available tools and remove the lens(es).
- 4 Unscrew the screws and remove the tube housing(s).
- 5 Unscrew the screws, disconnect the wires and remove the light source(s).



The light source is replaceable by Wever & Ducré or by a professional with explicit authorisation. For more information please contact your local Wever & Ducré customer service point.



The driver is replaceable by an authorized professional. For advice contact your Wever & Ducré customer service contact point.



This luminaire contains a light source with the energy class E.



WEVER & DUCRÉ
LIGHTING

WEVER & DUCRÉ BV

Spinnerijstraat 99/21, 8500 Kortrijk, Belgium
weverducre.com