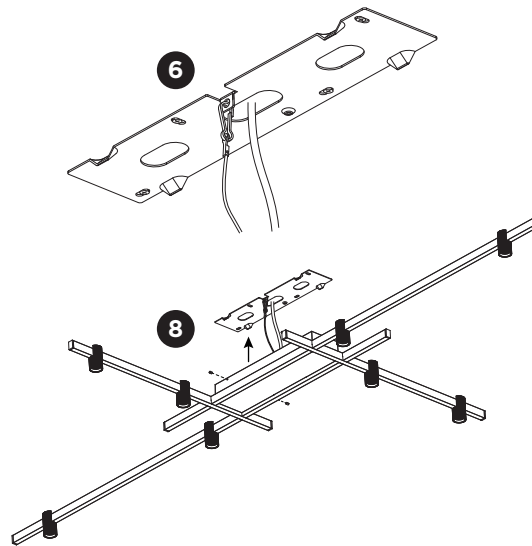
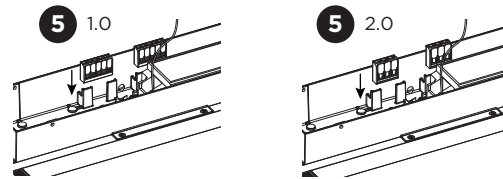
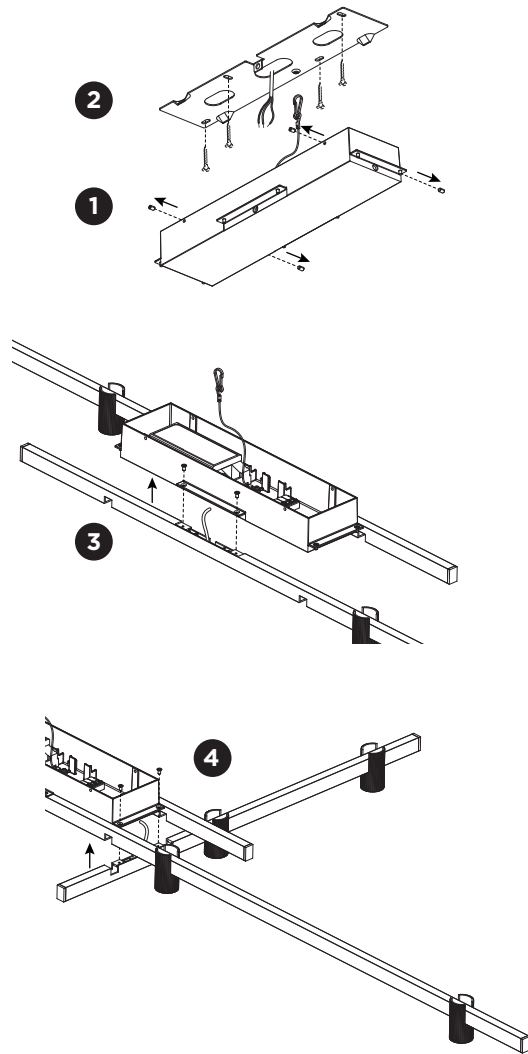
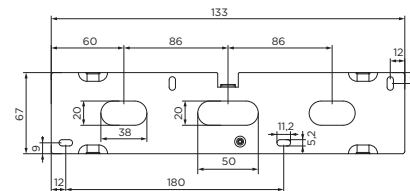


# TRACE GRID CEILING SURFACE

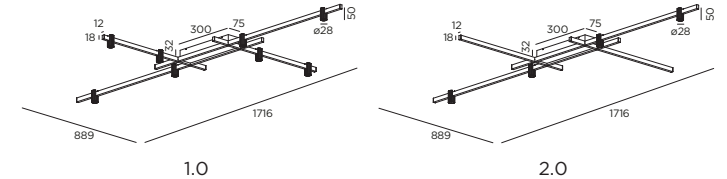
INSTALLATION INSTRUCTIONS | JUNE 2024



Mounting base:

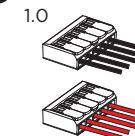


## DIMENSIONS



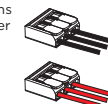
## MOUNTING INSTRUCTION

- 1 Remove the mounting base from the fixture by loosening the socket screws.
- 2 Mount it on the ceiling with screws (screws are not included).
- 3 Pass the cable from the long arms through the hole and fix them to the box with the screws.
- 4 Pass the cable from the short arms through the hole and fix them to the box with the screws.
- 5 Connect the wires to the clamps and store them in the side spaces.
- 6 Secure the fixture with the hook to the mounting base.



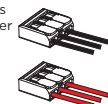
1.0

long arms  
big driver



2.0

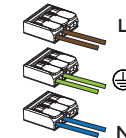
short arms  
small driver



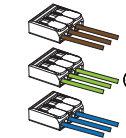
## 7 POWER CONNECTION

Connect to 220-240V.

1.0



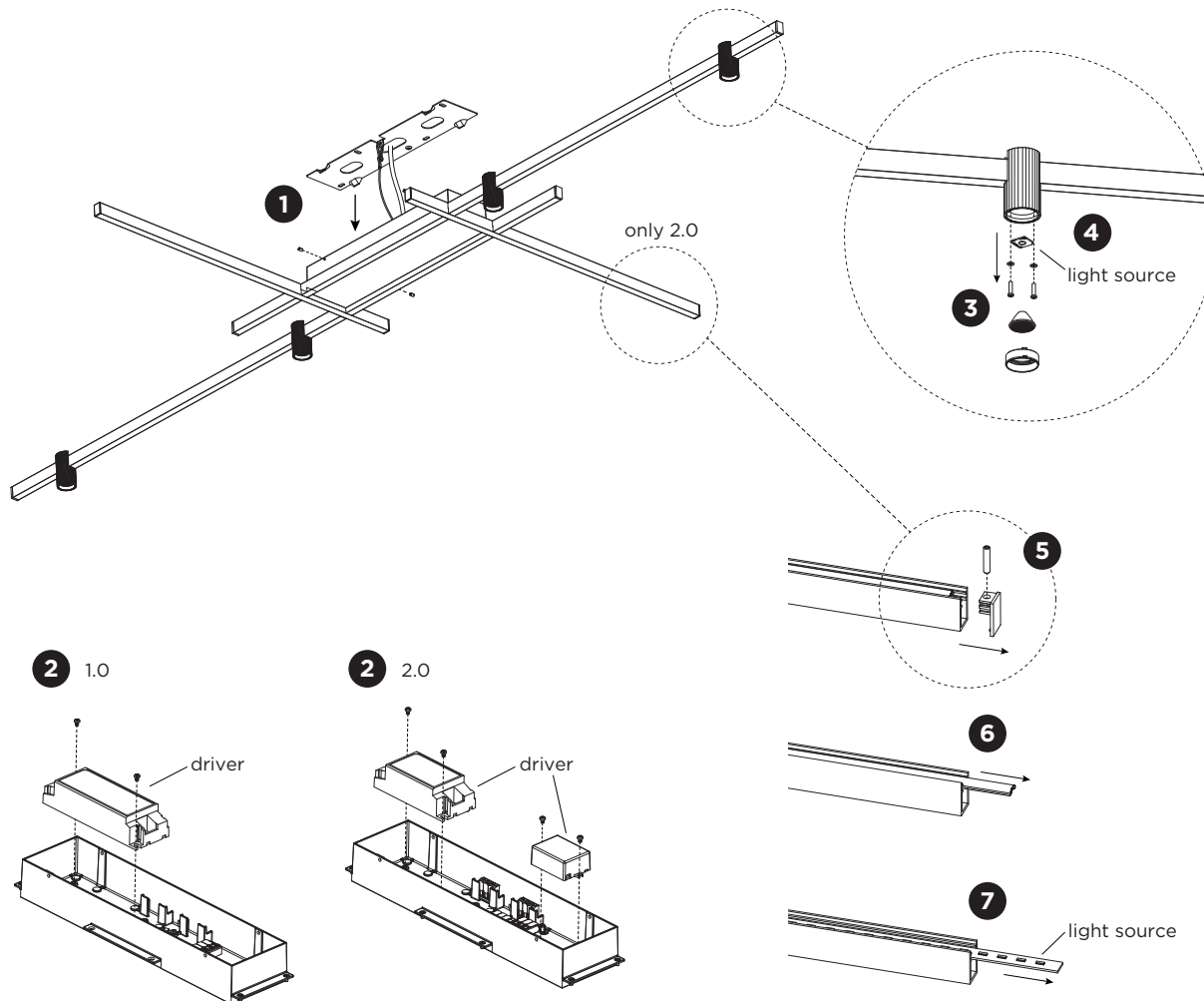
2.0



- 8 Fix the luminaire on the base with the socket screws.

# TRACE GRID CEILING SURFACE

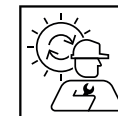
INSTALLATION INSTRUCTIONS | JUNE 2024



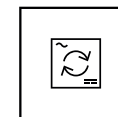
## DISMOUNTING AND RECYCLING INSTRUCTIONS

### Light source & driver

- 1 Loosen the socket screws from the fixture to remove it from the mounting base.
  - 2 Disconnect the wires to remove the driver(s).
  - 3 Take out the snoot(s) and remove the lens(es).
  - 4 Unscrew the light source(s) to remove it/them.
- Only for 2.0 :
- 5 Remove the endcap by unscrewing the socket screw.
  - 6 Pull out the lens(es).
  - 7 Disconnect the wires and remove the light source(s) by pulling it/them out.



The light source is replaceable by Wever & Ducré or by a professional with explicit authorisation. For more information please contact your local Wever & Ducré customer service point.



The driver can be replaced by the end user.



WEVER & DUCRÉ  
LIGHTING

WEVER & DUCRÉ BV

Spinnerijstraat 99/21, 8500 Kortrijk, Belgium  
weverducre.com