

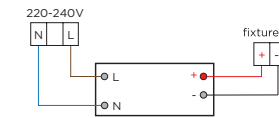
MOUNTING INSTRUCTION

- 1 Mount the LED module or bulb into the housing and fix it with the front ring by turning a quarter clockwise.
- 2 Make a hole in the ceiling according to the prescribed dimensions.

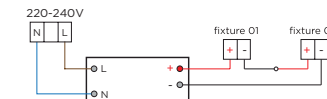
3 POWER CONNECTION

LED Always use a driver according to the specifications of the LED module.

Single connection

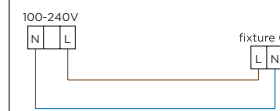


Multiple connection



PAR16

Single connection

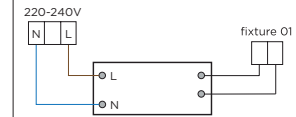


Multiple connection

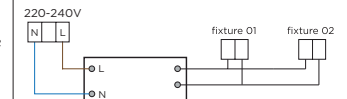


MR16

Single connection



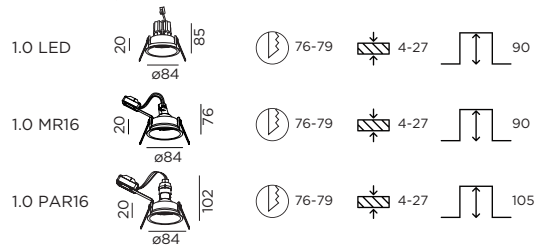
Multiple connection



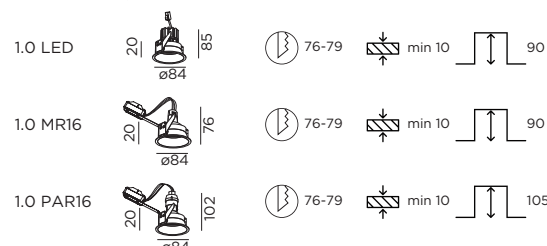
- 4 For wire springs:
Push the springs upwards and insert the fixture in the ceiling hole.
For blade springs:
Push the springs towards the fixture when inserting the fixture in the ceiling hole.

DIMENSIONS

Wire springs:



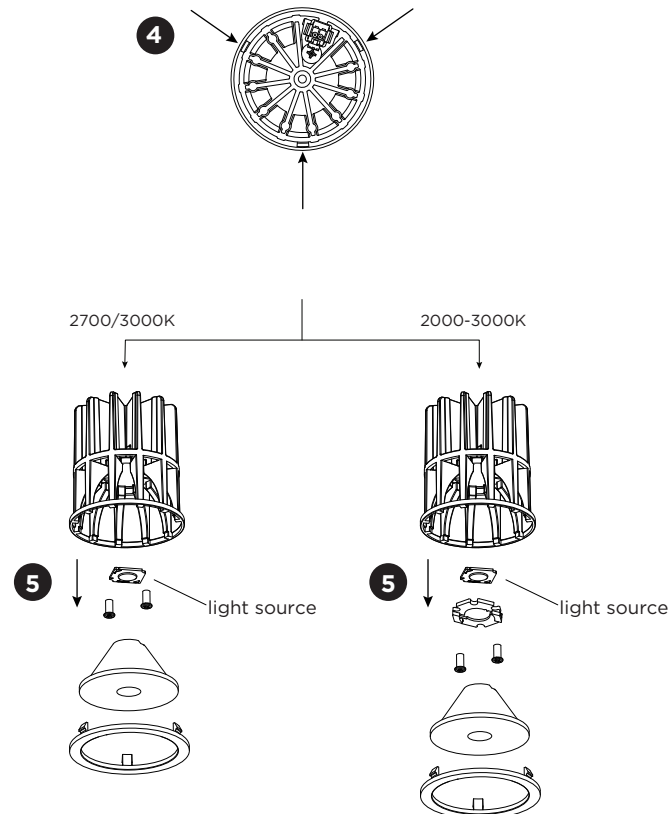
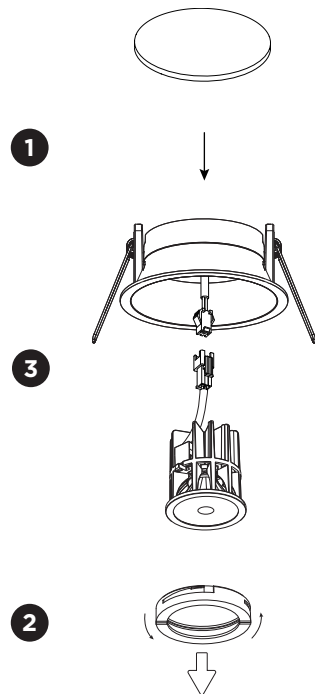
Blade springs:



Before connecting the luminaire/LED module to the driver please make sure the driver is not powered but disconnected from the mains. The driver can only be powered when the luminaire/LED module is already connected. Disregarding this instruction might damage or even destroy the luminaire/LED module.

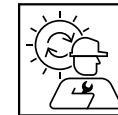
Driver must be powered off before connecting the cables.

PB19-010-431-00_V2



DISMOUNTING AND RECYCLING INSTRUCTIONS only for 1.0 LED Light source & driver

- 1 Remove the fixture from the ceiling.
- 2 Hold and turn the front ring a quarter counterclockwise to remove the LED module.
- 3 Unplug the LED module to remove it from the luminaire.
- 4 Push at the three points to loosen the front ring.
- 5 Take the lens out and unscrew the holder or light source to remove the light source.



The light source is replaceable by an authorized professional. For advice contact your Wever & Ducré customer service contact point.



This luminaire contains a light source with the energy class D.