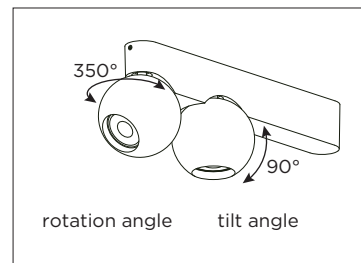
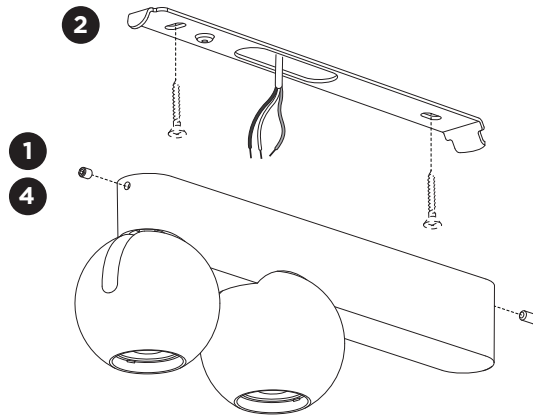
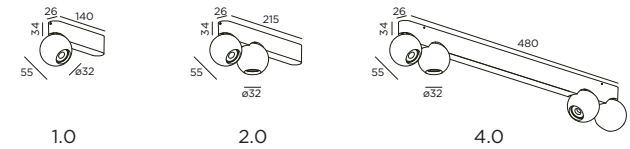


# LECA CEILING SURFACE

INSTALLATION INSTRUCTIONS | JULY 2024



## DIMENSIONS

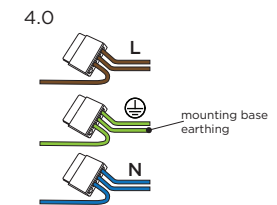
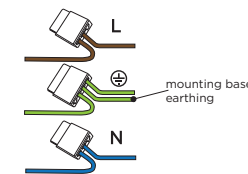


## MOUNTING INSTRUCTION

**1** Remove the mounting base from the luminaire by loosening the socket screws.

**2** Mount it on the ceiling with screws (screws are not included).

**3 POWER CONNECTION**  
Connect to 220-240V.  
1.0 / 2.0

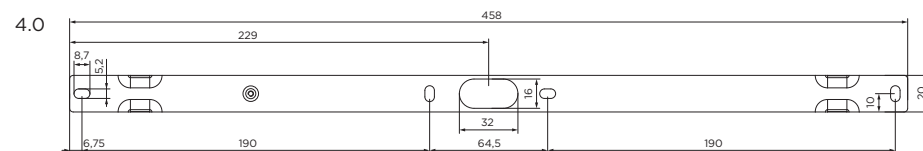
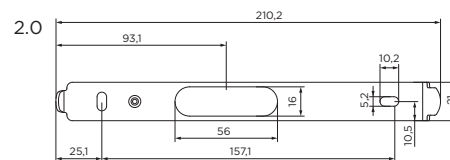
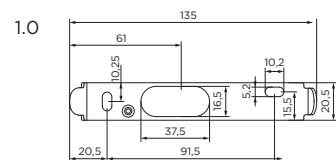


Connect the earth cable.



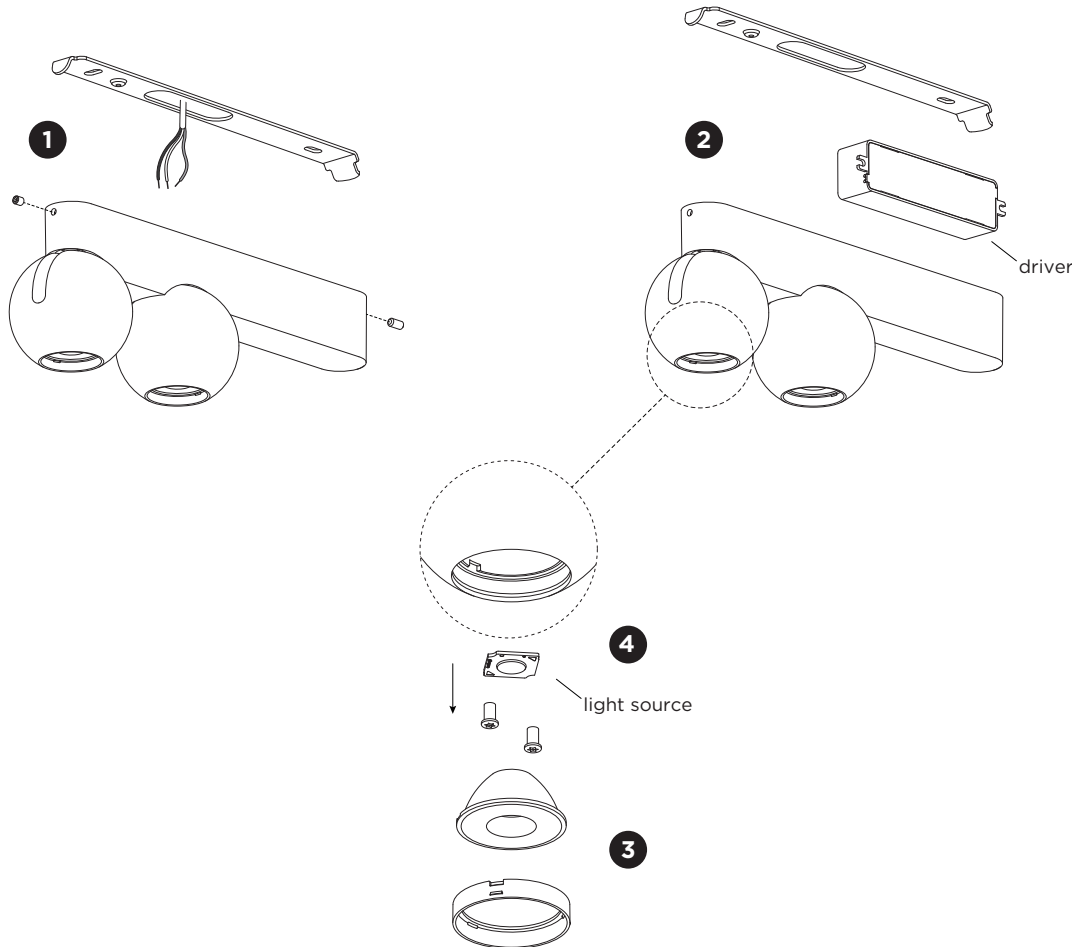
**4** Fix the luminaire on the base with the socket screws.

Mounting base:



# LECA CEILING SURFACE

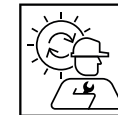
INSTALLATION INSTRUCTIONS | JULY 2024



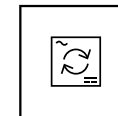
## DISMOUNTING AND RECYCLING INSTRUCTIONS

### Light source & driver

- 1 Loosen the socket screws from the fixture to remove it from the mounting base.
- 2 Disconnect the wires to remove the driver(s).
- 3 Dismount the lens holder(s) and remove the lens(es).
- 4 Unscrew the screws and remove the light source(s).



The light source is replaceable by Wever & Ducré or by a professional with explicit authorisation. For more information please contact your local Wever & Ducré customer service point.



The driver can be replaced by the end user.



This luminaire contains a light source with the energy class D.