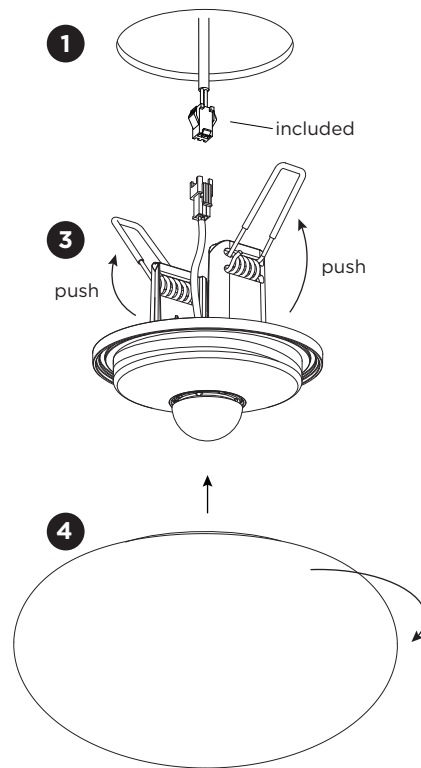
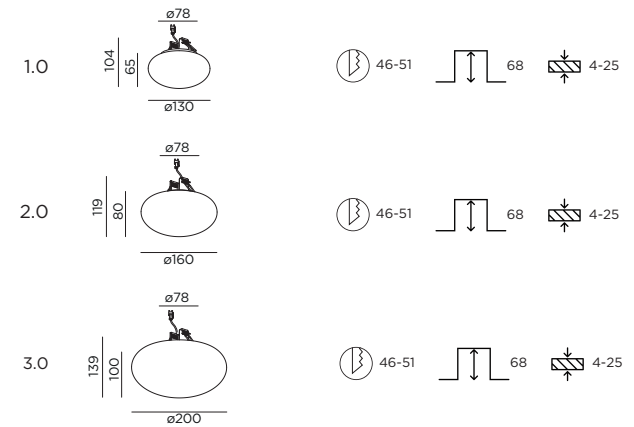


PERLEZ RECESSED

INSTALLATION INSTRUCTIONS | JANUARY 2023



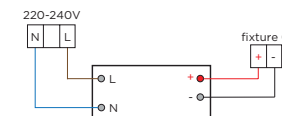
DIMENSIONS



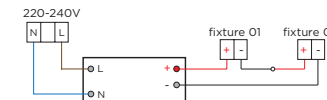
MOUNTING INSTRUCTION

- 1 Make a hole in the ceiling according to the prescribed dimensions.
- 2 **POWER CONNECTION**
Always use a driver according to the specifications of the LED module.

Single connection



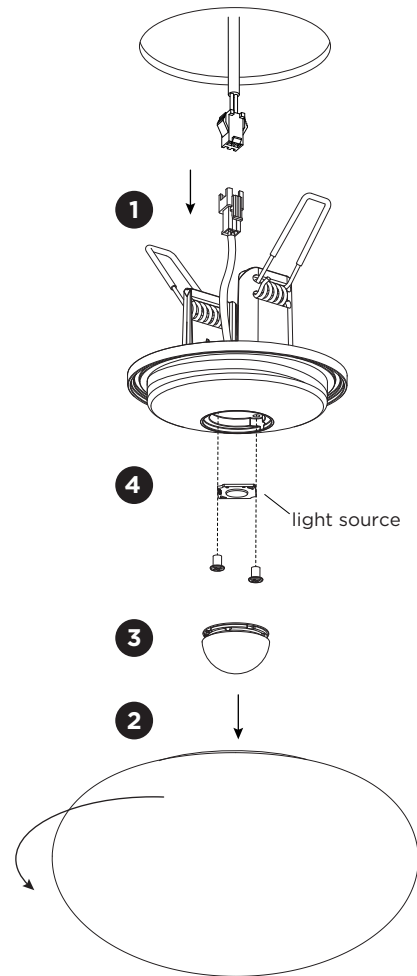
Multiple connection



- 3 Push the springs upwards and insert the fixture in the ceiling hole.
- 4 Screw the glass on the base.

PERLEZ RECESSED

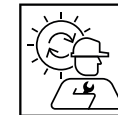
INSTALLATION INSTRUCTIONS | JANUARY 2023



DISMOUNTING AND RECYCLING INSTRUCTIONS

Light source

- 1 Take the luminaire out of the ceiling hole and disconnect the plugs.
- 2 Unscrew the glass.
- 3 Remove the lens by pulling.
- 4 Unscrew the light source to remove it.



The light source is replaceable by Wever & Ducreé or by a professional with explicit authorisation. For more information please contact your local Wever & Ducreé customer service point.



This luminaire contains a light source with the energy class F.