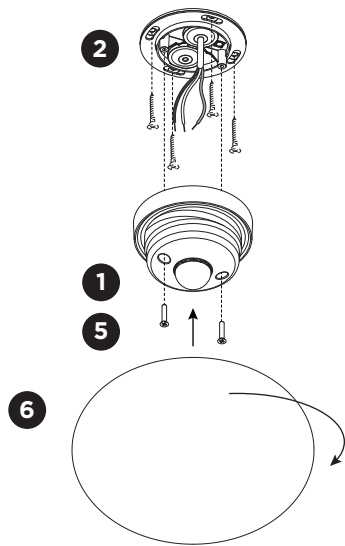


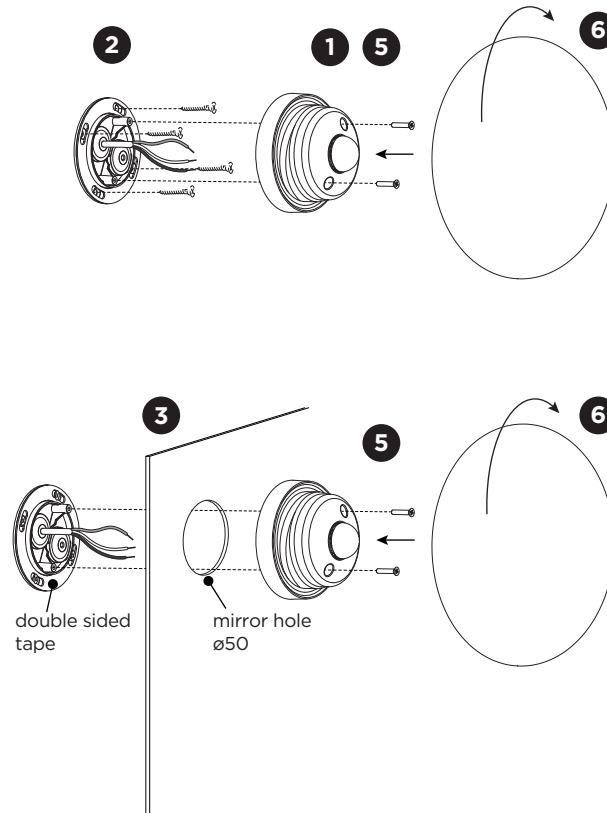
# PERLEZ SURFACE

INSTALLATION INSTRUCTIONS | JANUARY 2023

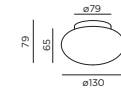
ceiling surface



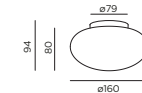
wall surface / mirror



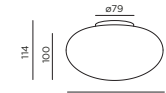
## DIMENSIONS



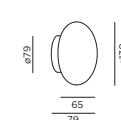
1.0 ceiling



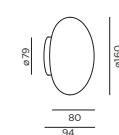
2.0 ceiling



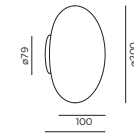
3.0 ceiling



1.0 wall/mirror



2.0 wall/mirror



3.0 wall/mirror

## MOUNTING INSTRUCTION

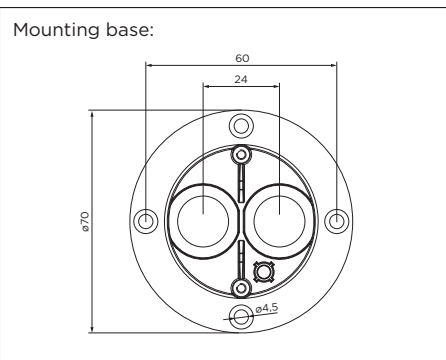
- 1 Remove the mounting base from the luminaire by loosening the screws.
- 2 Mount the base on the ceiling/wall with screws (screws are not included).
- 3 OPTIONAL for mirror installation:  
Drill a  $\varnothing 50$  hole in the mirror and stick the mounting base to the backside of the mirror with the double sided tape.

## 4 POWER CONNECTION

Connect to 220-240V.



- 5 Mount the fixture on the base with the screws.
- 6 Screw the glass on the base.



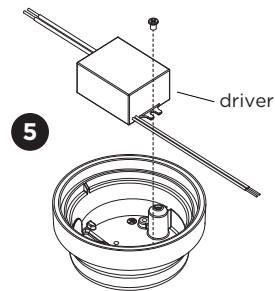
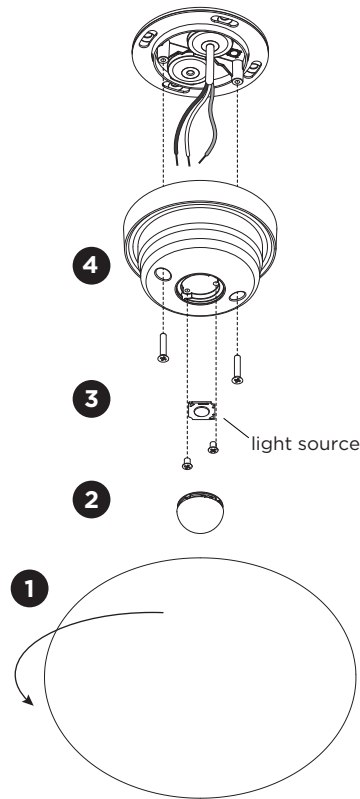
WEVER & DUCRÉ  
LIGHTING

WEVER & DUCRÉ BV

Spinnerijstraat 99/21, 8500 Kortrijk, Belgium  
weverducre.com

# PERLEZ SURFACE

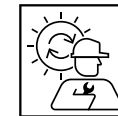
INSTALLATION INSTRUCTIONS | JANUARY 2023



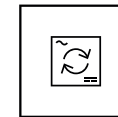
## DISMOUNTING AND RECYCLING INSTRUCTIONS

Light source & driver

- 1 Unscrew the glass.
- 2 Remove the lens by pulling.
- 3 Unscrew the light source to remove it.
- 4 Remove the fixture by unscrewing it.
- 5 Disconnect the wires and unscrew the driver to remove it.



The light source is replaceable by Wever & Ducré or by a professional with explicit authorisation. For more information please contact your local Wever & Ducré customer service point.



The driver can be replaced by the end user.



This luminaire contains a light source with the energy class F.