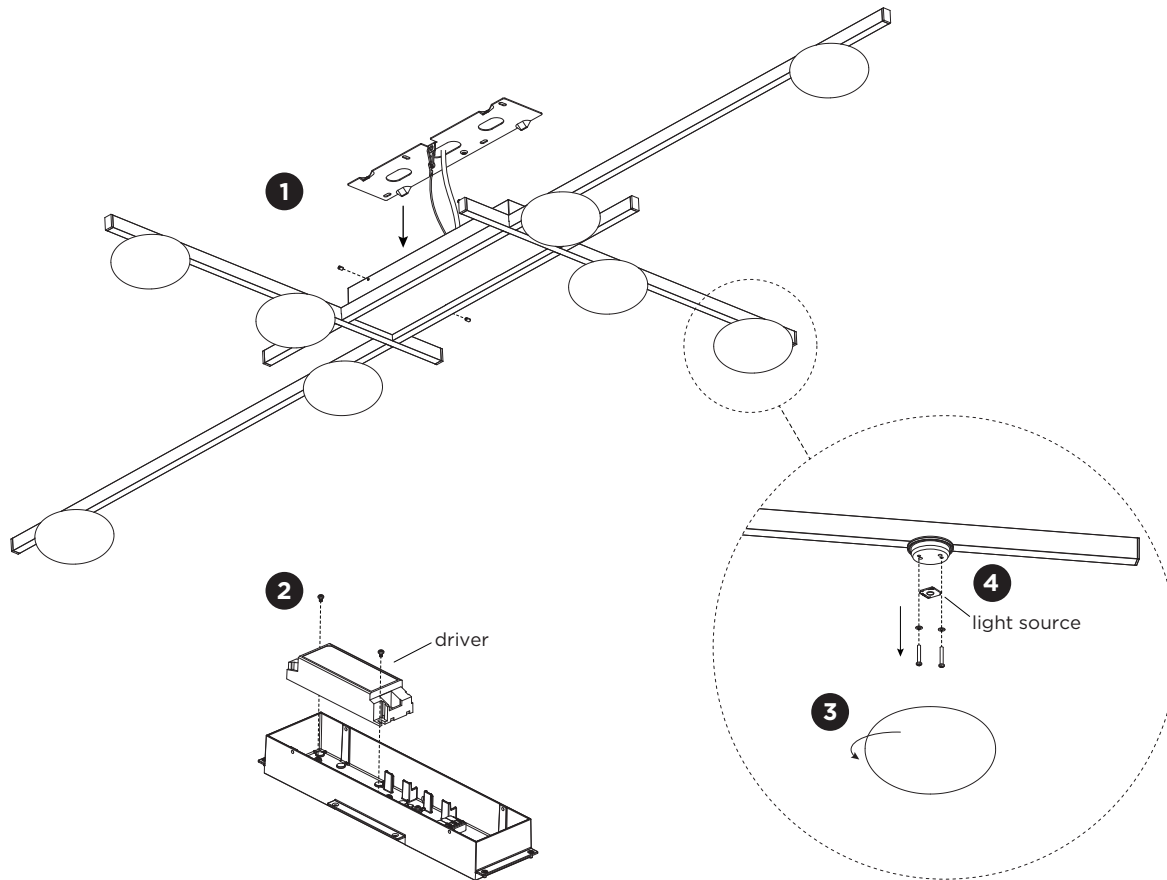


PERLEZ GRID CEILING SURFACE

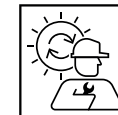
INSTALLATION INSTRUCTIONS | JUNE 2024



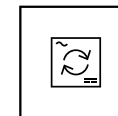
DISMOUNTING AND RECYCLING INSTRUCTIONS

Light source & driver

- 1 Loosen the socket screws from the fixture to remove it from the mounting base.
- 2 Disconnect the wires to remove the driver(s).
- 3 Remove the glass(es) by unscrewing it/them.
- 4 Unscrew the light source(s) to remove it/them.



The light source is replaceable by Wever & Ducré or by a professional with explicit authorisation. For more information please contact your local Wever & Ducré customer service point.



The driver can be replaced by the end user.