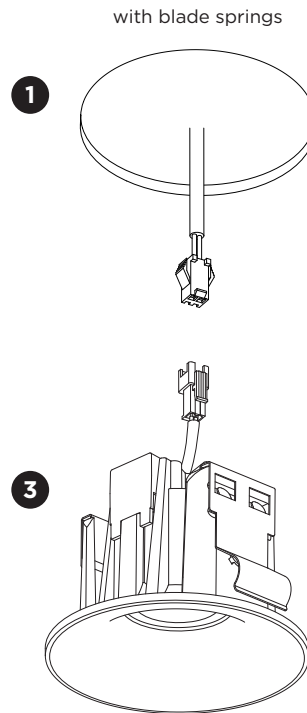
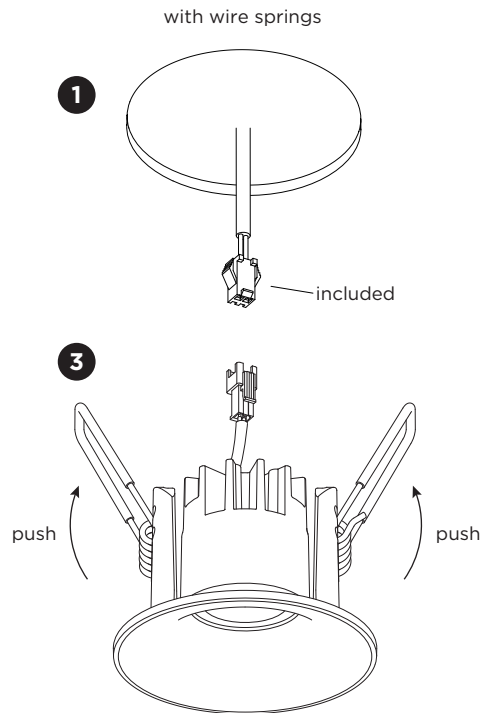


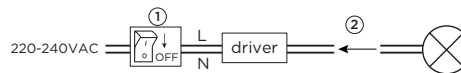
RONY POINT

INSTALLATION INSTRUCTIONS | MAY 2024

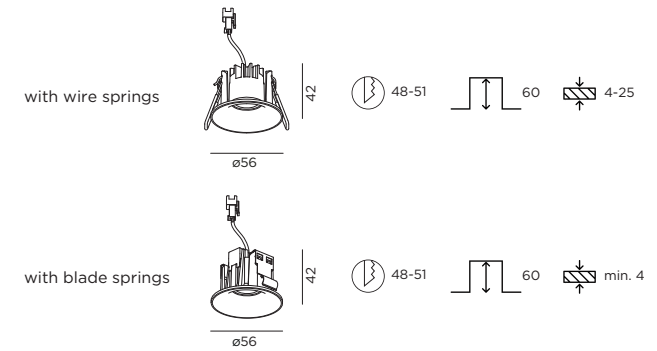


Driver must be powered off before connecting the cables.

Before connecting the luminaire/LED module to the driver please make sure the driver is not powered but disconnected from the mains. The driver can only be powered when the luminaire/LED module is already connected. Disregarding this instruction might damage or even destroy the luminaire/LED module.



DIMENSIONS

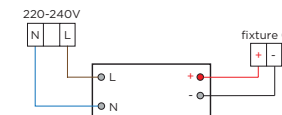


MOUNTING INSTRUCTION

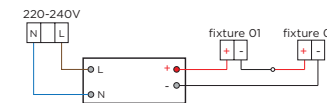
1 Make a hole in the ceiling according to the prescribed dimensions.

2 **POWER CONNECTION**
Always use a driver according to the specifications of the LED module.

Single connection



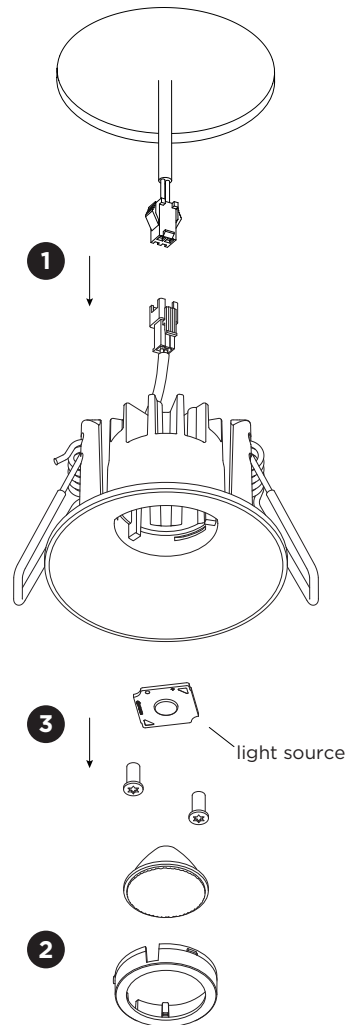
Multiple connection



3 For wire spring version: Push the springs upwards and insert the fixture in the ceiling hole.
For blade spring version: Insert the fixture in the ceiling hole.

RONY POINT

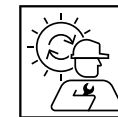
INSTALLATION INSTRUCTIONS | MAY 2024



DISMOUNTING AND RECYCLING INSTRUCTIONS

Light source

- 1 Take the luminaire out of the ceiling hole and disconnect the plugs.
- 2 Take out the snoot and remove the lens.
- 3 Unscrew the light source to remove it.



The light source is replaceable by Wever & Ducré or by a professional with explicit authorisation. For more information please contact your local Wever & Ducré customer service point.



This luminaire contains a light source with the energy class E.