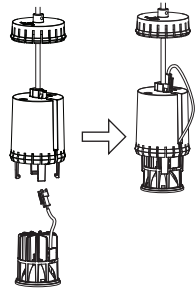


RAY & HEXO SUSPENDED on track (1-phase)

INSTALLATION INSTRUCTIONS | APRIL 2023

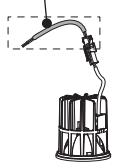
Install the LED module / lamp.

1 mount the LED module:

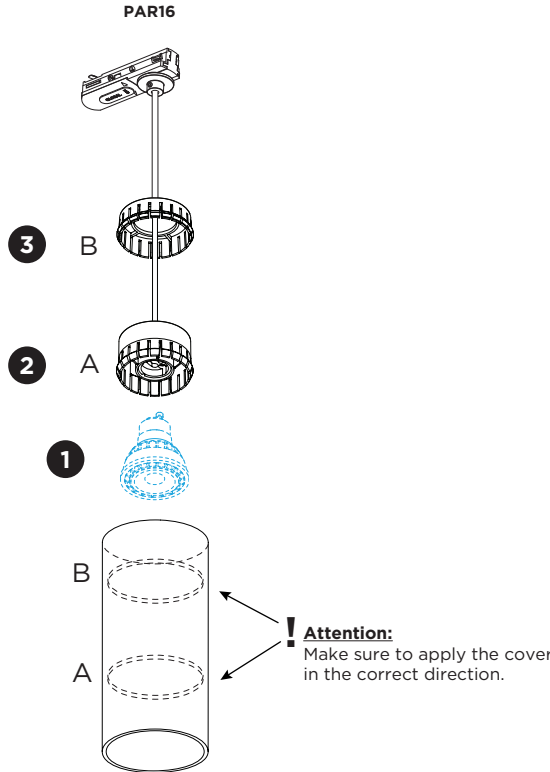
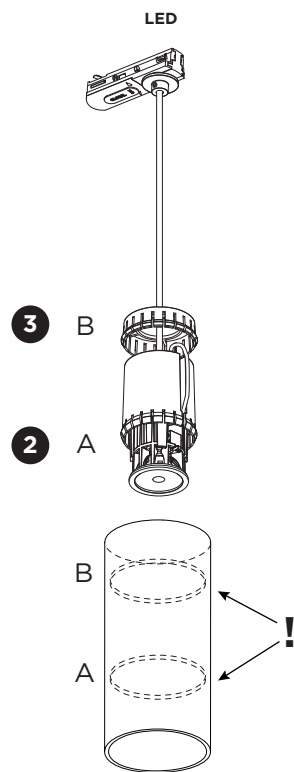
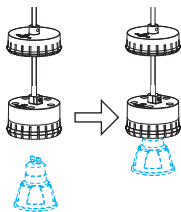


* For this product, the cable with a plug that comes with the LED module is not needed. Please remove it first and then use the LED module.

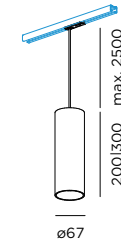
not needed



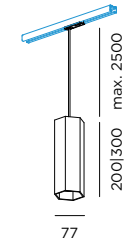
1 mount the PAR16 lamp:



DIMENSIONS



RAY 2.0 | 3.0
LED
PAR16



HEXO 2.0 | 3.0
LED
PAR16

MOUNTING INSTRUCTION

- 1** FOR LED: mount the LED module into the suspension set.
FOR PAR16: insert the lamp into the suspension set.
- 2** Insert part A until it clicks in the lower part of the cover.
- 3** Insert part B until it clicks in the upper part of the cover.

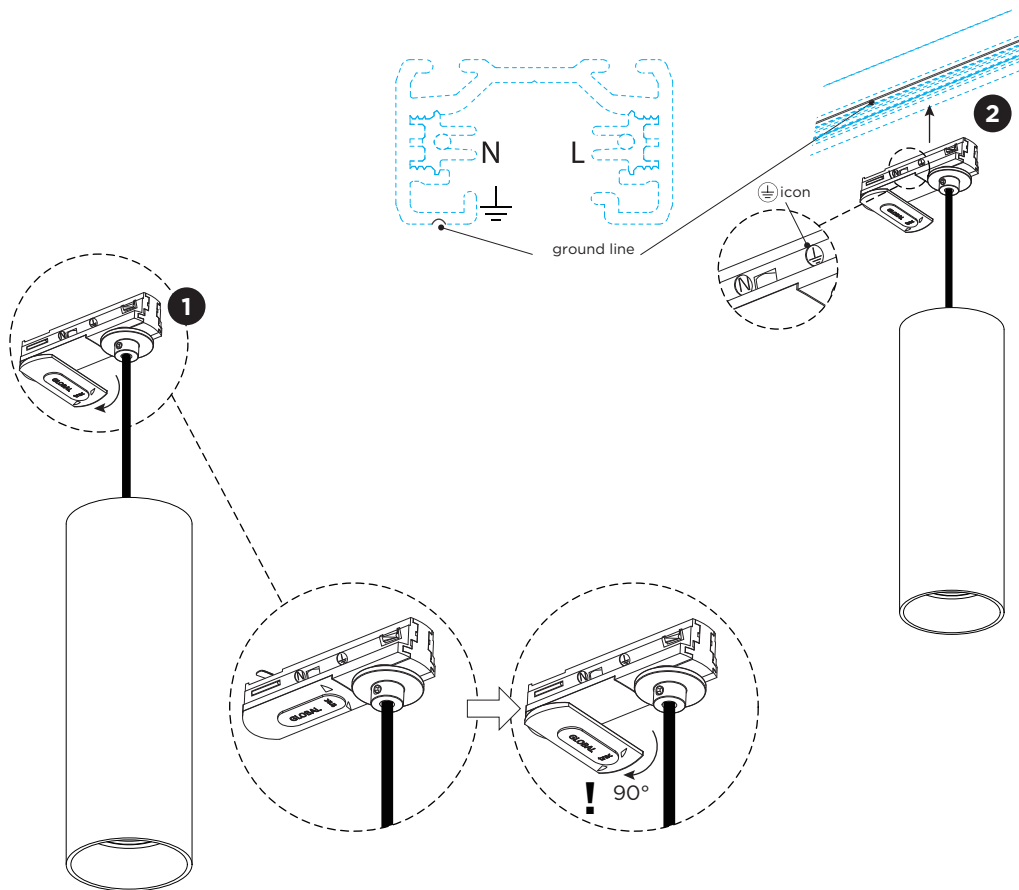
! Attention:
Make sure to apply the cover
in the correct direction.

For how to install the adapter into track, please see page 2.

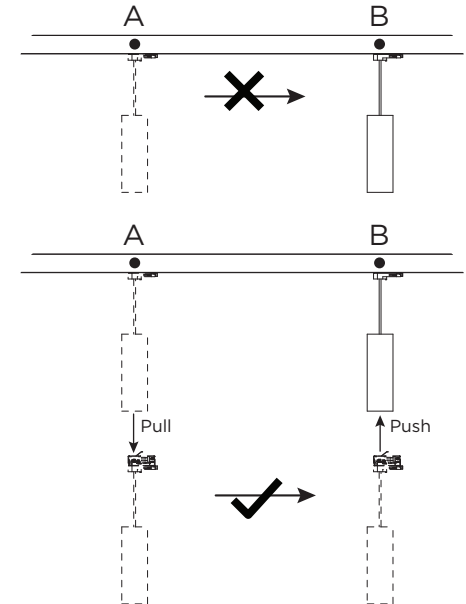
RAY & HEXO SUSPENDED on track (1-phase)

INSTALLATION INSTRUCTIONS | APRIL 2023

Install the adapter into the track.



WARNING Note: it's not allowed to slide the fixture in the track. If you want to change the location of the device in the track, please pull the device out of the track and install it on the correct position.



MOUNTING INSTRUCTION

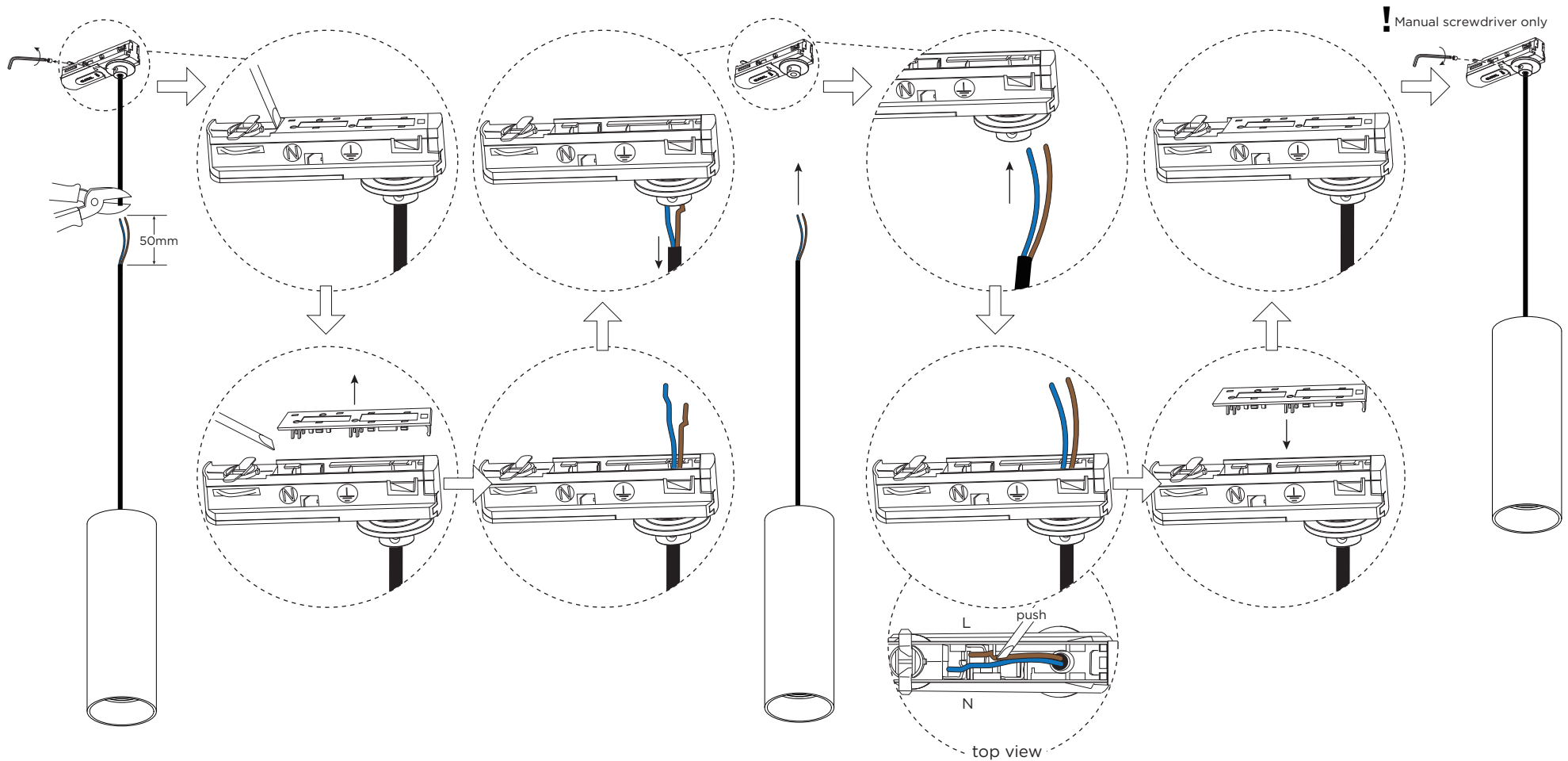
- 1** Turn the adapter's handle 90° as illustrated.
- 2** Push the adapter into the track. Make sure the ⊕ icon on the inside of the adapter is faced towards the track side with the **ground line** craved in it.
- 3** Turn the handle back into the original position to lock the adapter in the track.

For how to shorten the cable length to the required length, please see the page 3.

RAY & HEXO SUSPENDED on track (1-phase)

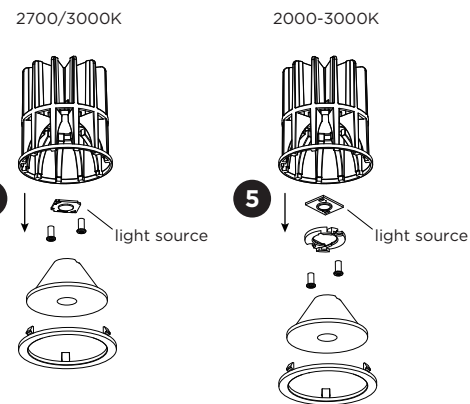
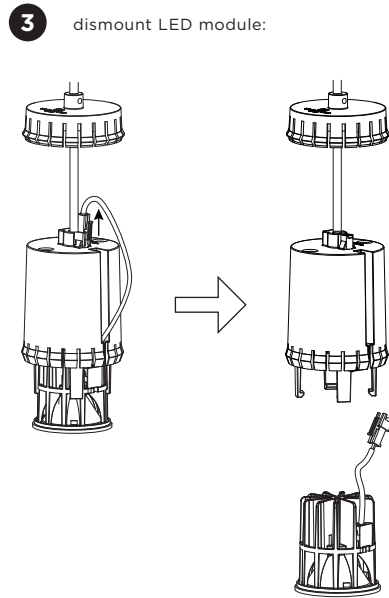
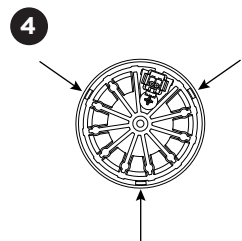
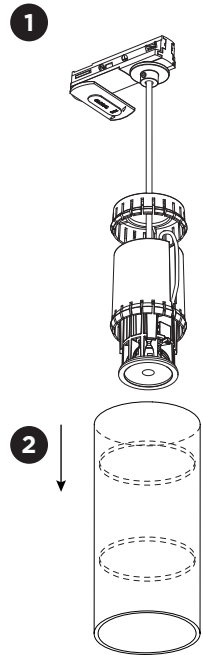
INSTALLATION INSTRUCTIONS | APRIL 2023

Shorten the cable length to the required length.

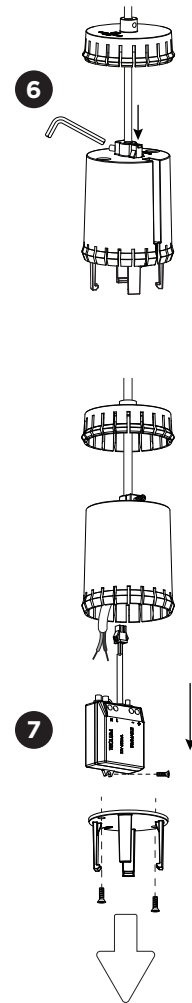


RAY & HEXO SUSPENDED on track (1-phase)

INSTALLATION INSTRUCTIONS | APRIL 2023



dismount driver:



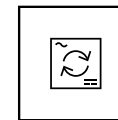
DISMOUNTING AND RECYCLING INSTRUCTIONS

Light source & driver

- 1 Loosen the track adapter from the track by turning the handle 90°.
- 2 Pull the cover down the suspension set.
- 3 Dismount the LED module.
- 4 Push at the three points to loosen the front ring.
- 5 Take out the lens and unscrew the holder or light source to remove the light source.
- 6 Release the strain relief screw and push the connector into the housing.
- 7 Dismount the bottom part by loosening the screws, unscrew the driver from the housing and disconnect the wires to remove the light source.



The light source is replaceable by an authorized professional. For advice contact your Wever & Ducré customer service contact point.



The driver can be replaced by the end user.

This luminaire contains a light source with the corresponding energy class:

colour temperature	Energy class
2700K 3000K	A ↑ G D
2000-3000K	A ↑ G F