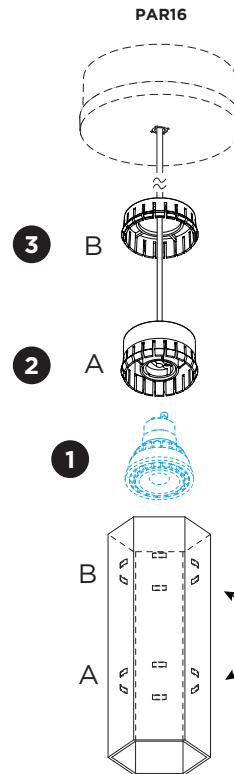
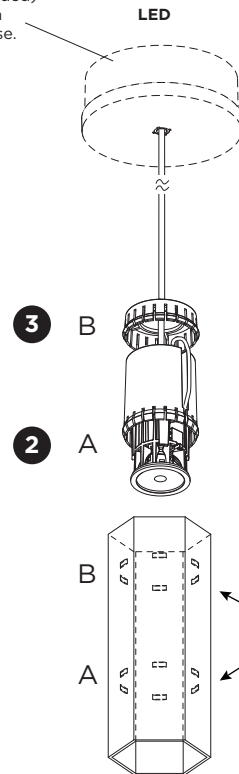


# HEXO SUSPENDED

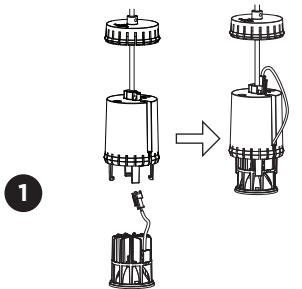
INSTALLATION INSTRUCTIONS | NOVEMBER 2022

ceiling base (not included)  
See separate installation  
instruction of ceiling base.



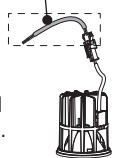
**! Attention:**  
Make sure to apply the cover  
in correct direction.

mount LED module:

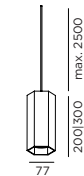


\* For this product, the  
cable with a plug that  
comes with the LED  
module is not needed.  
Please remove it first and  
then use the LED module.

*not needed* (this notification  
refers to the part  
of the cable)



## DIMENSIONS



## MOUNTING INSTRUCTION

- 1 ONLY FOR LED: mount the LED module into the suspension set.  
ONLY FOR PAR16: insert the lamp.
- 2 Insert part A until it clicks in the lower part of the cover.
- 3 Insert part B until it clicks in the higher part of the cover.

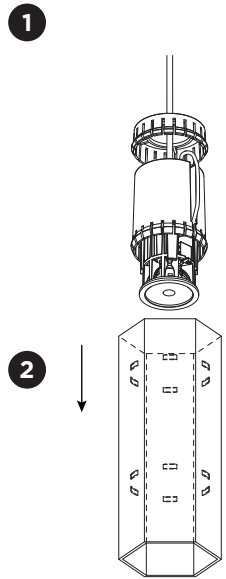
## 4 POWER CONNECTION

Connect to 220-240V

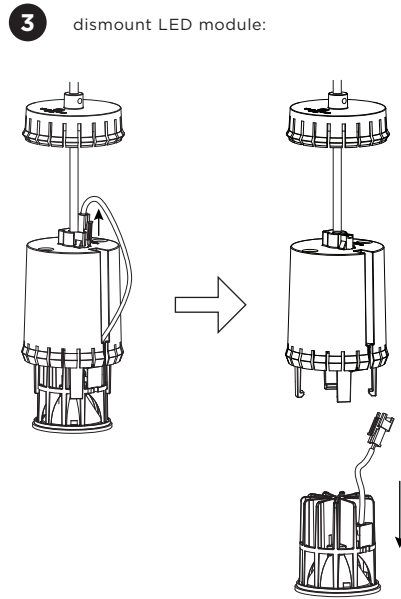


# HEXO SUSPENDED

INSTALLATION INSTRUCTIONS | NOVEMBER 2022

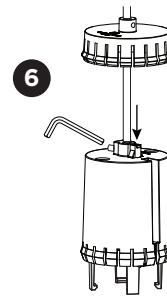


2

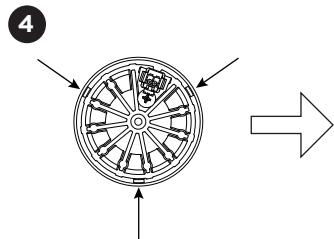


3 dismount LED module:

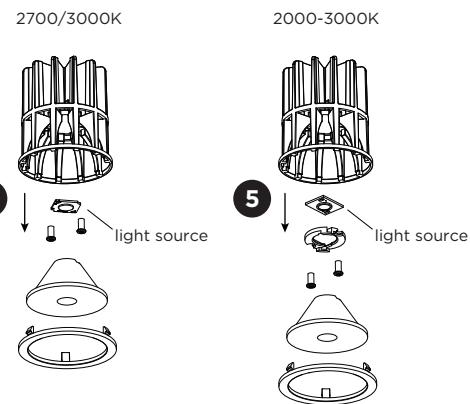
dismount driver:



6



4



2700/3000K

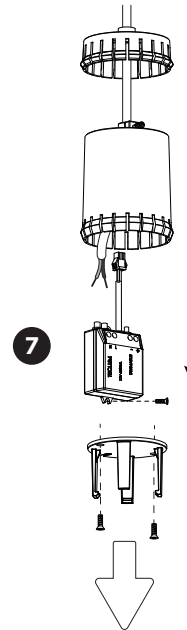
2000-3000K

5

5

light source

light source



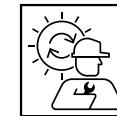
7

## DISMOUNTING AND RECYCLING INSTRUCTIONS

- Light source & driver**
- Loosen the power connection.
  - Pull the cover down the suspension set.
  - Dismount the LED module.
  - Push at the three points to loosen the front ring.
  - Take out the lens and unscrew the holder or light source to remove it.
  - Release the strain relief screw and push the connector into the housing.
  - Dismount the bottom part by loosening the screws, unscrew the driver from the housing and disconnect the wires to remove it.



The driver can be replaced by the end user.



The light source is replaceable by an authorized professional. For advice contact your Wever & Ducré customer service contact point.

This luminaire contains a light source with the corresponding energy class:

colour temperature	Energy class
2700K 3000K	A ↑ G D
2000-3000K	A ↑ G F