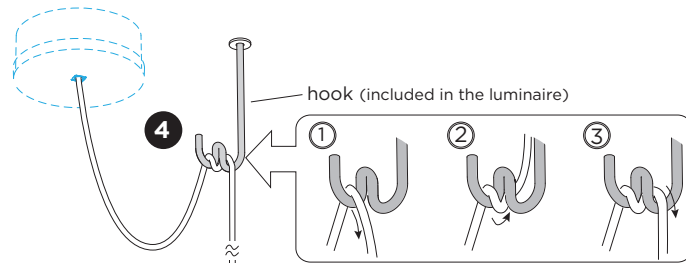


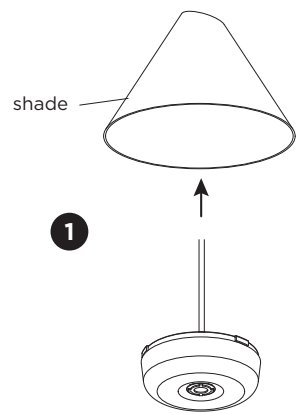
SHIEK 1.0/2.0/3.0

INSTALLATION INSTRUCTIONS | DECEMBER 2022

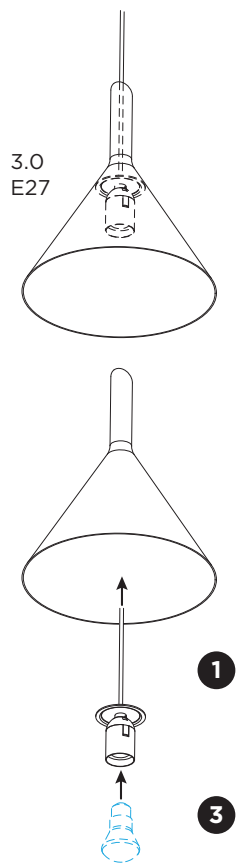
ceiling base (not included)
See separate installation
instruction of ceiling base.



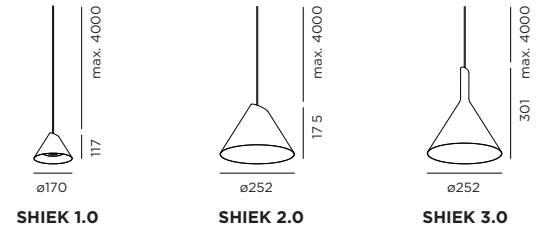
1.0/2.0/3.0
LED




3.0
E27



DIMENSIONS

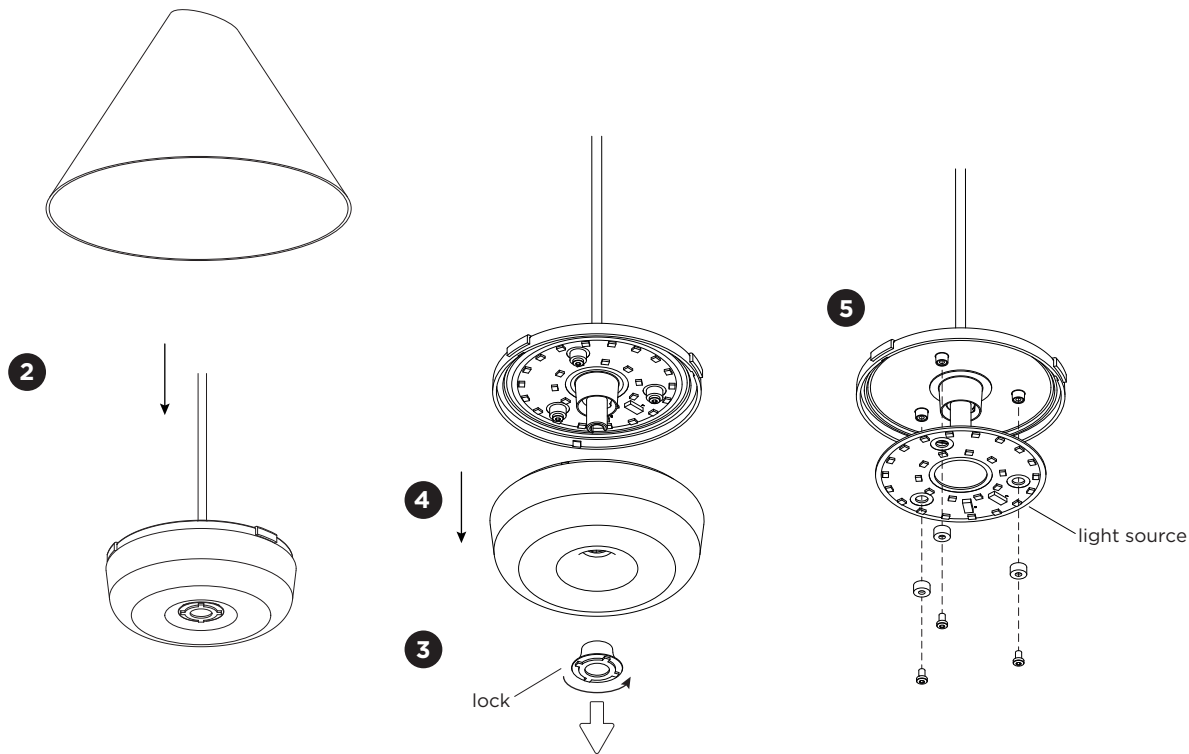


MOUNTING INSTRUCTION

- 1 Pass the cable through the hole at the top of the shade.
- 2 **POWER CONNECTION**
Connect to 220-240V.
Connect the wires in the ceiling base (see separate instructions manual from the ceiling base).

- 3 Only for E27 version: mount the lamp in the socket (lamp is not included).
- 4 Optionally use the hook to support the cable.

SHIEK 1.0/2.0/3.0

INSTALLATION INSTRUCTIONS | DECEMBER 2022



DISMOUNTING AND RECYCLING INSTRUCTIONS

Light source

- 1 Loosen the wires from the power connection (see separate instructions manual from the ceiling base).
- 2 Dismount the LED module from the shade.
- 3 Remove the lock by turning it counter clockwise.
- 4 Remove the cover.
- 5 Loosen the screws and wires to remove the light source.



The light source is replaceable by an authorized professional. For advice contact your Wever & Ducre customer service contact point.



This luminaire contains a light source with the energy class G.