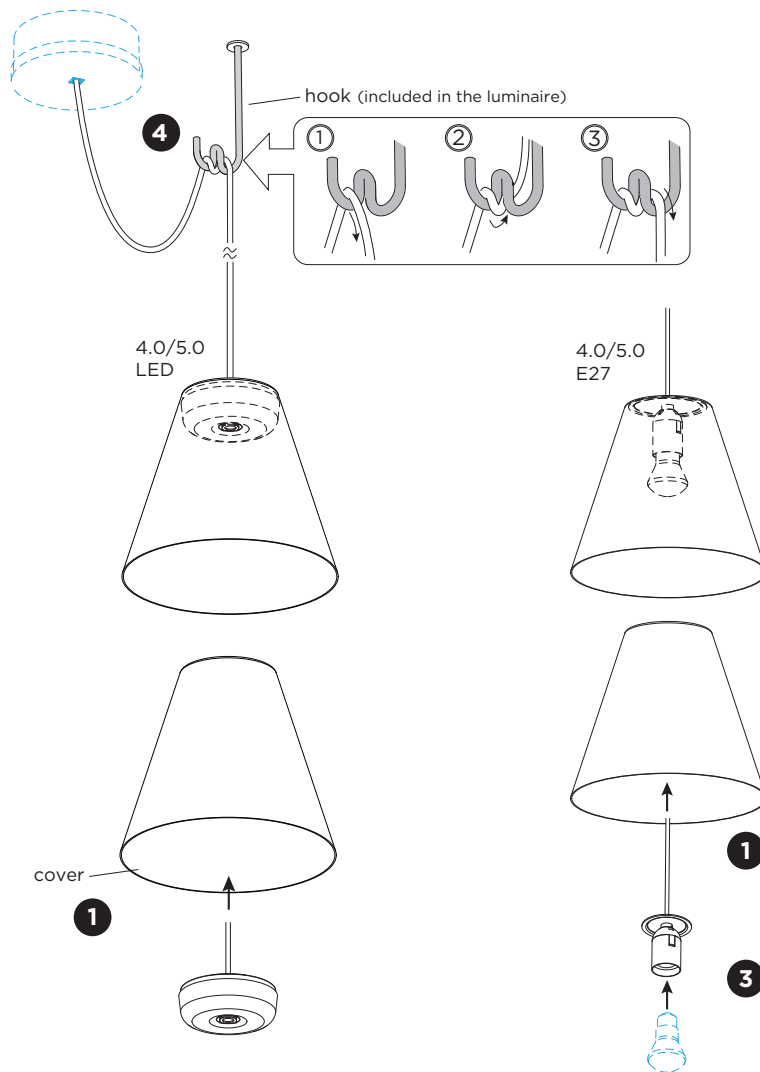


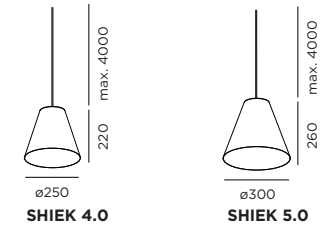
SHIEK 4.0/5.0

INSTALLATION INSTRUCTIONS | MARCH 2023


ceiling base (not included)
See separate installation
instruction of ceiling base.



DIMENSIONS



MOUNTING INSTRUCTION

- 1 Pass the cable through the hole at the top of the shade.
 - 2 **POWER CONNECTION**
Connect to 220-240V.
Connect the wires in the ceiling base (see separate instructions manual from the ceiling base).
- 
- 3 Only for E27 version: mount the lamp in the socket (lamp is not included).
 - 4 Optionally use the hook to support the cable.

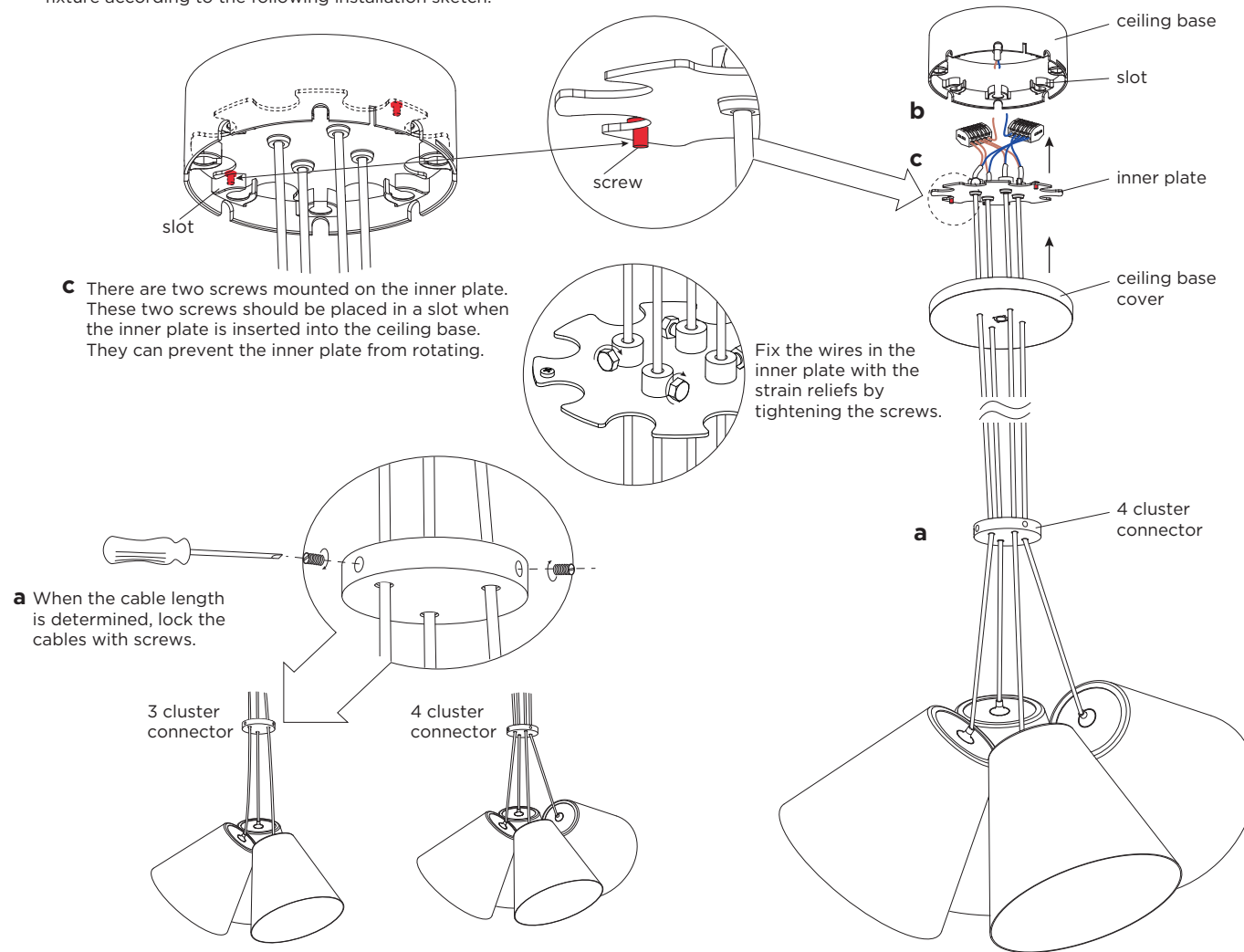
see the next steps on page 2

PB19-010-516-00_V1

SHIEK 4.0/5.0

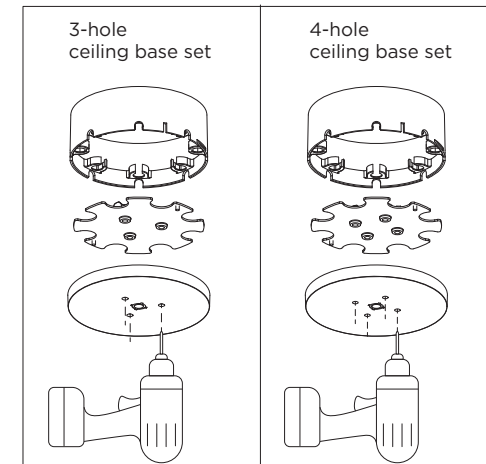
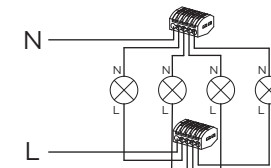
INSTALLATION INSTRUCTIONS | MARCH 2023

- 5** When using the 3 or 4 cluster connector, please install the fixture according to the following installation sketch.



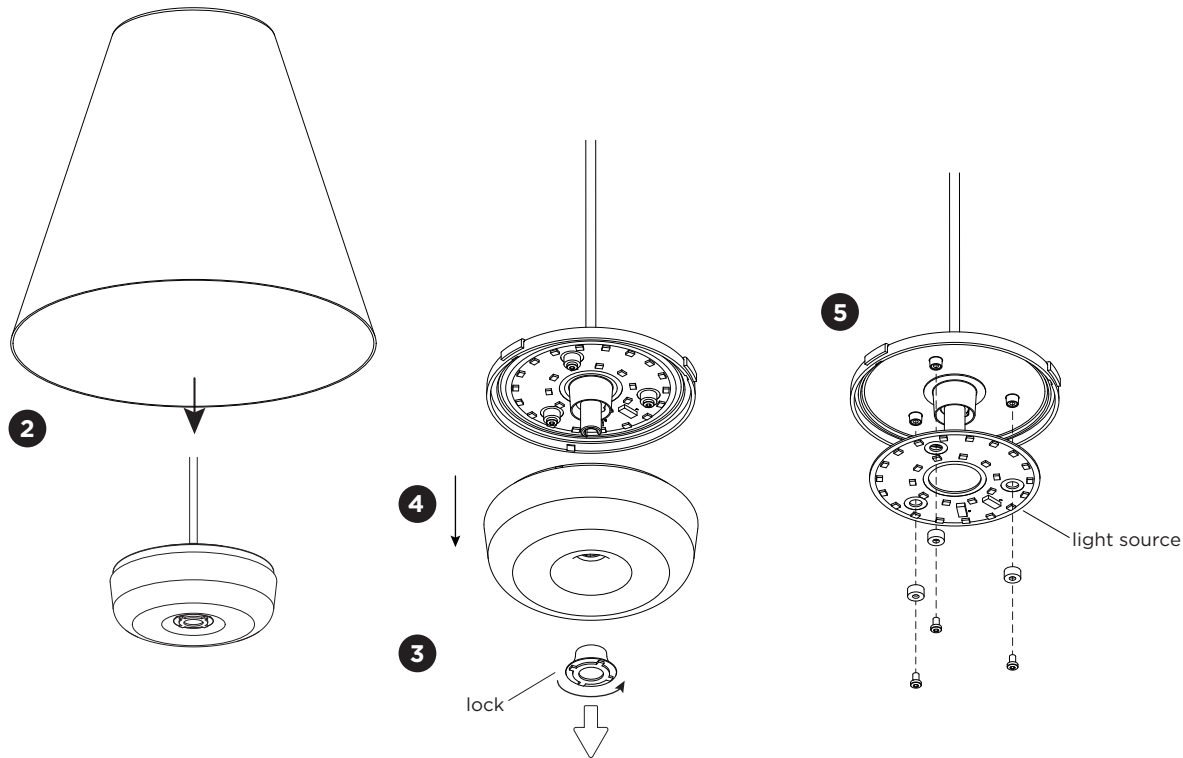
b POWER CONNECTION

Connect the power.



SHIEK 4.0/5.0

INSTALLATION INSTRUCTIONS | MARCH 2023



DISMOUNTING AND RECYCLING INSTRUCTIONS

Light source & driver

- 1 Loosen the wires from the power connection (see separate instructions manual from the ceiling base).
- 2 Dismount the LED module from the shade.
- 3 Remove the lock by turning it counter clockwise.
- 4 Remove the cover.
- 5 Loosen the screws and wires to remove the light source.



The light source is replaceable by an authorized professional.
For advice contact your Wever & Ducré customer service contact point.



This luminaire contains a light source with the energy class G.