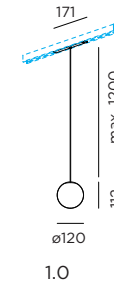


# SOLLI on track

INSTALLATION INSTRUCTIONS | FEBRUARY 2023

## DIMENSIONS



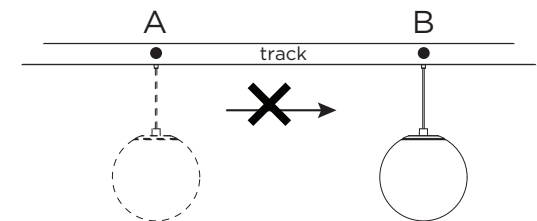
## MOUNTING INSTRUCTION

- 1 Push the fixture into the track at the preferred location.



WARNING

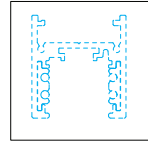
Note: it's not allowed to slide the fixture in the track. If you want to change the location of the fixture in the track, please pull the fixture out of the track and install it on the correct position.



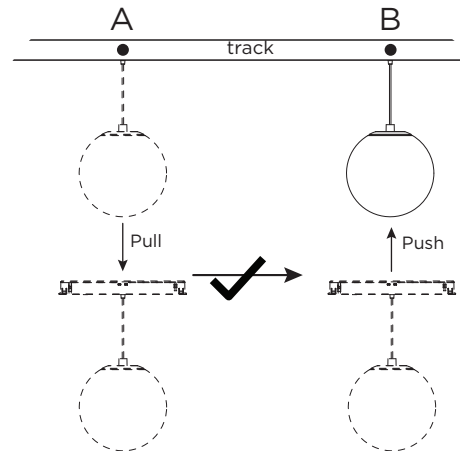
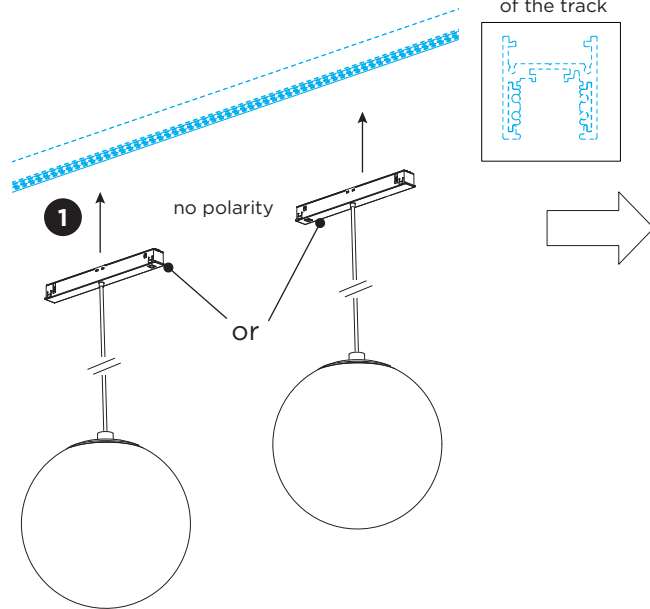
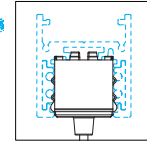
See page 2 for how to mount the glass cover.

PB19-010-706-00\_V2

cross-section of the track



cross-section of the track

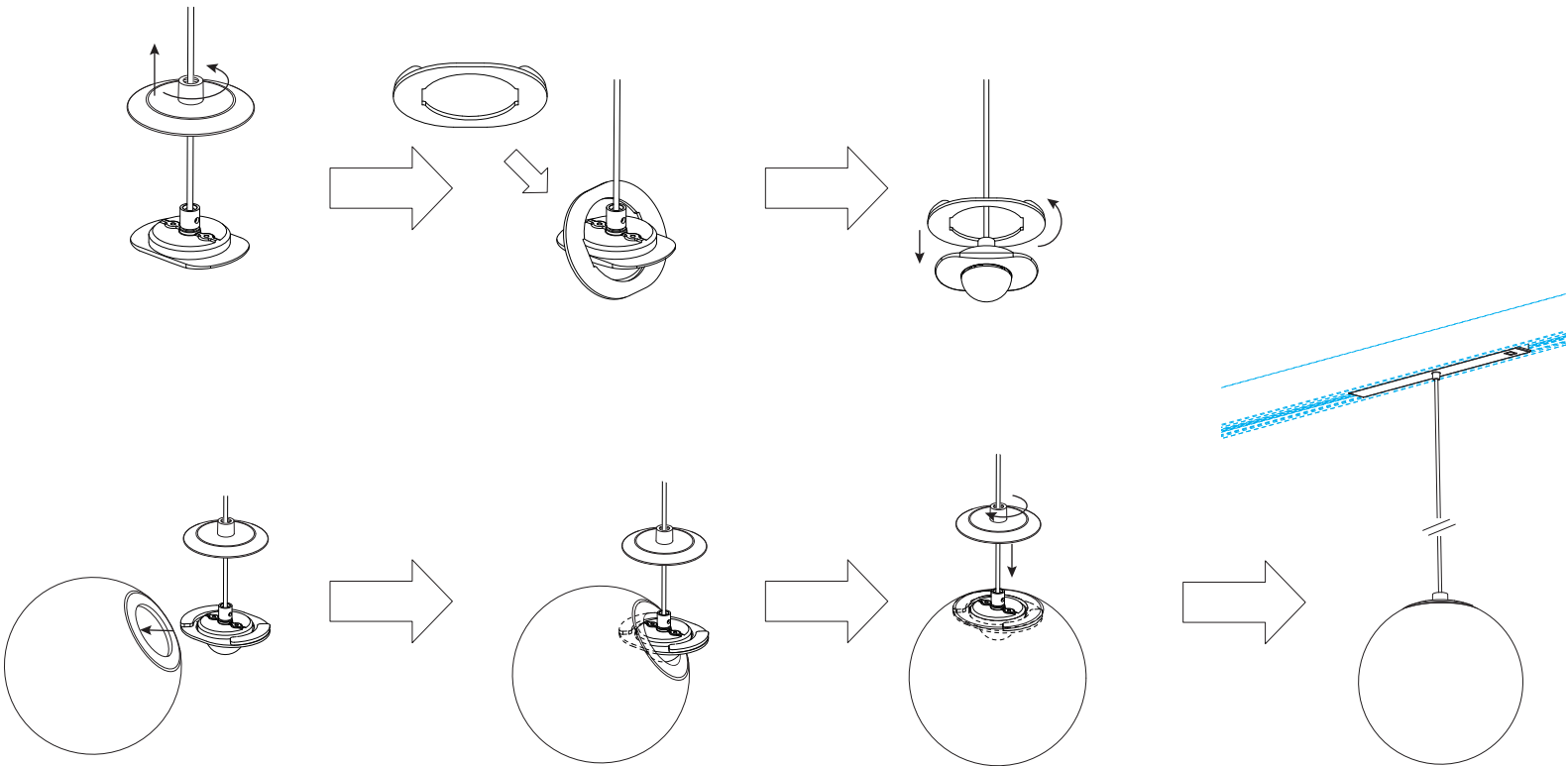


Remove the fixture from the track.

# SOLLI on track

INSTALLATION INSTRUCTIONS | FEBRUARY 2023

Mount the bigger ring and glass cover

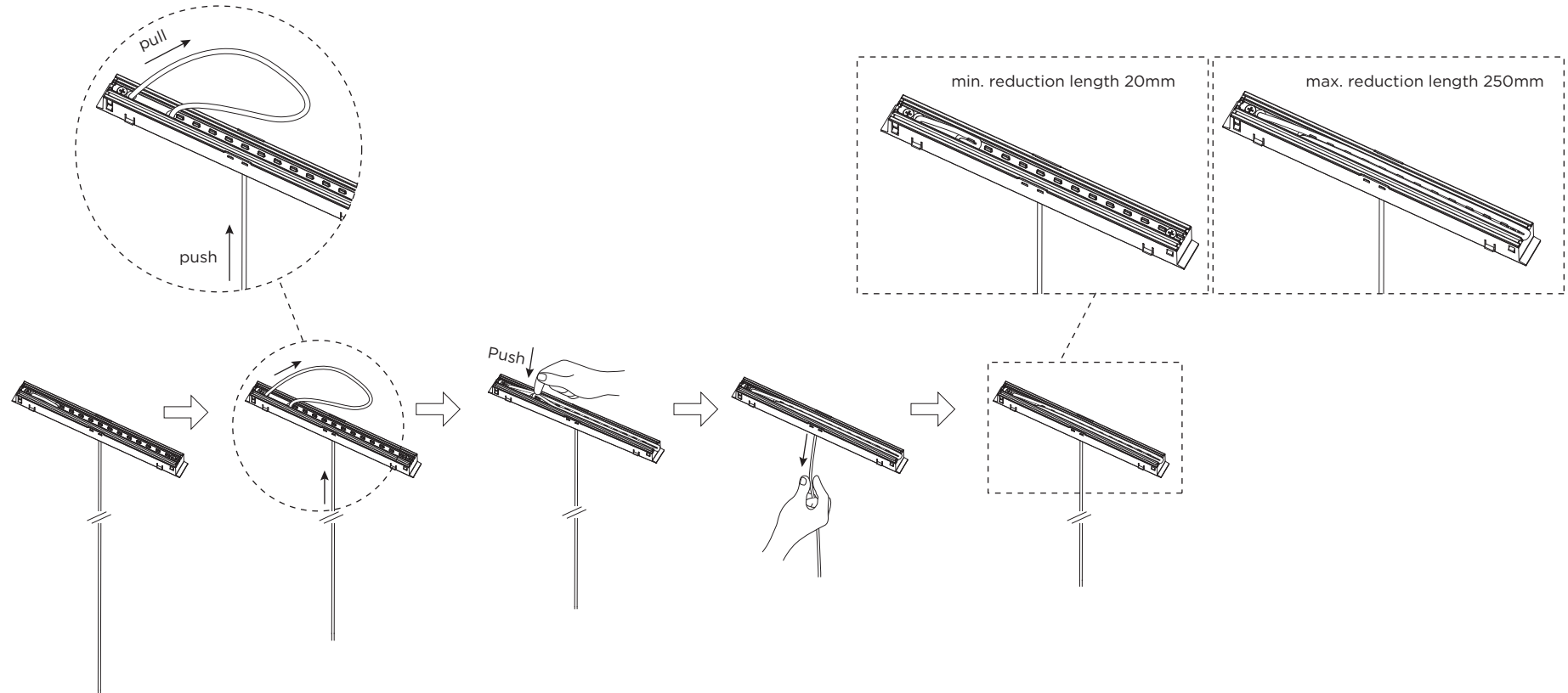


See page 3 for how to shorten the cable.

# SOLLI on track

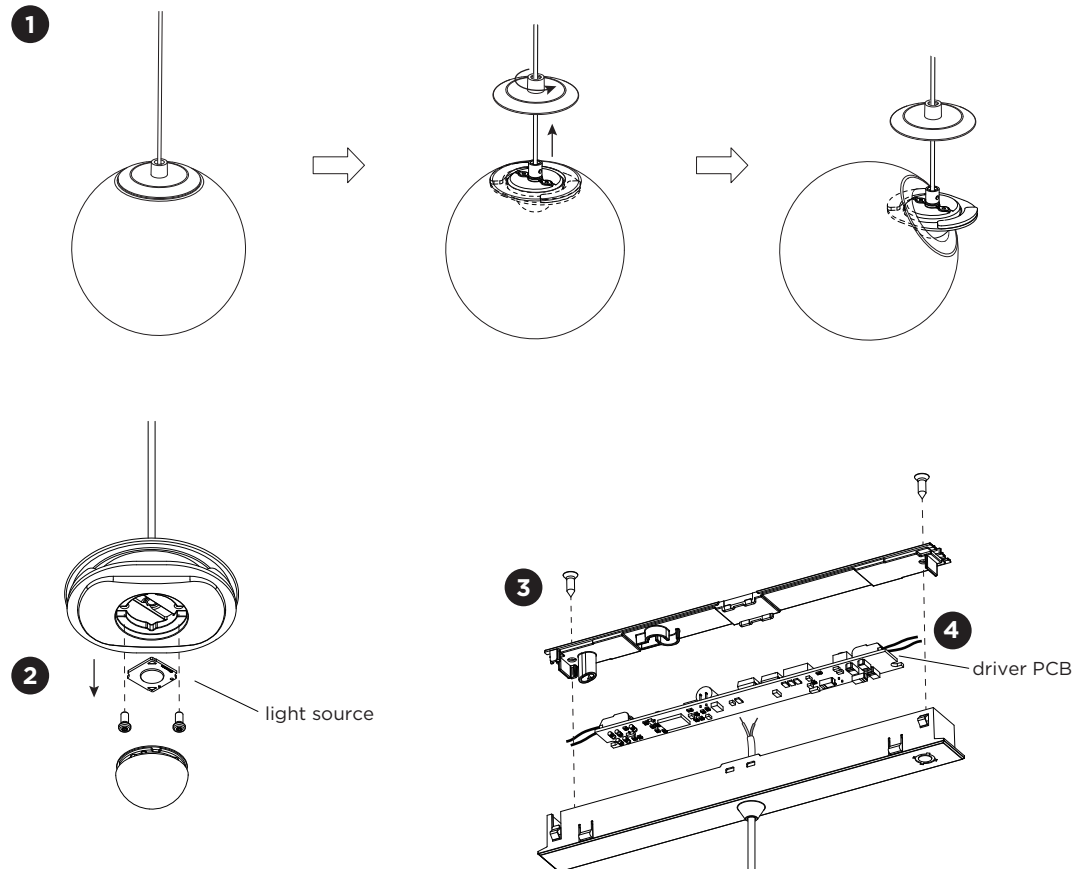
INSTALLATION INSTRUCTIONS | FEBRUARY 2023

Shorten the cable with maximum 250mm:



# SOLLI on track

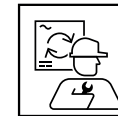
INSTALLATION INSTRUCTIONS | FEBRUARY 2023



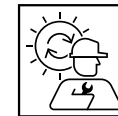
## DISMOUNTING INSTRUCTION

### Light source & driver

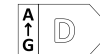
- 1 Dismount the glass cover.
- 2 Pull off the lens and unscrew the light source to remove it.
- 3 Unscrew the top screws and remove the lid.
- 4 Disconnect the wires and remove the driver PCB.



The driver is replaceable by an authorized professional.  
For advice contact your Wever & Ducré customer service contact point.



The light source is replaceable by an authorized professional.  
For advice contact your Wever & Ducré customer service contact point.



This luminaire contains a light source with the energy class D.