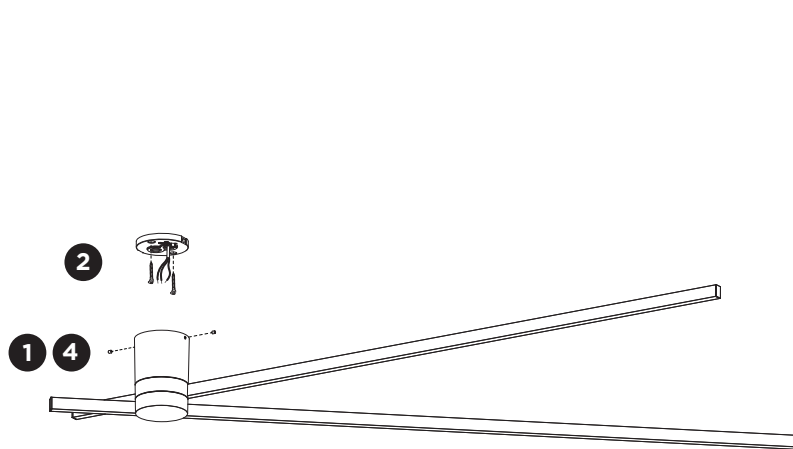
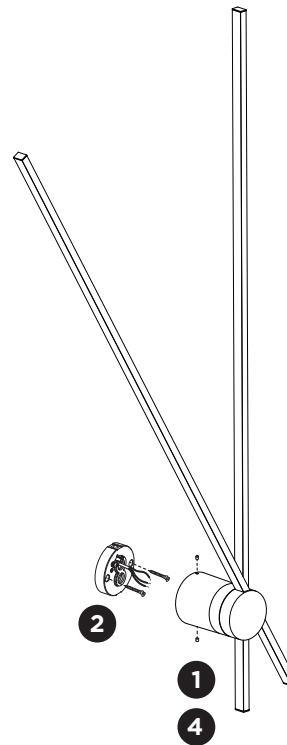
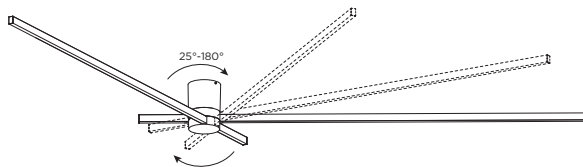


FIL SPIN SURFACE

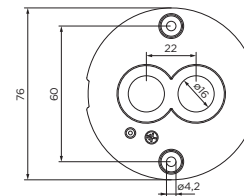
INSTALLATION INSTRUCTIONS | JUNE 2024



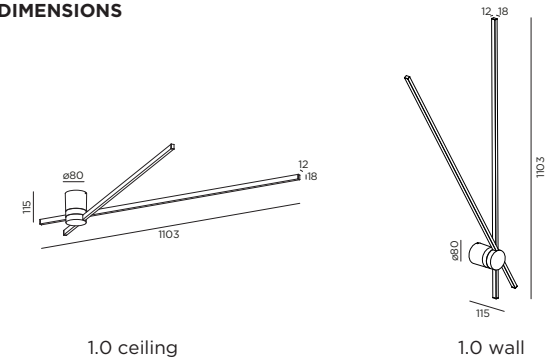
rotation angle:



mounting base:



DIMENSIONS

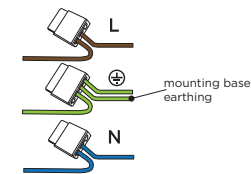


1.0 ceiling

1.0 wall

MOUNTING INSTRUCTION

- 1 Remove the mounting base from the luminaire by loosening the socket screws.
- 2 Mount it on the ceiling/wall with screws (screws are not included).
- 3 **POWER CONNECTION**
Connect to 220-240V.



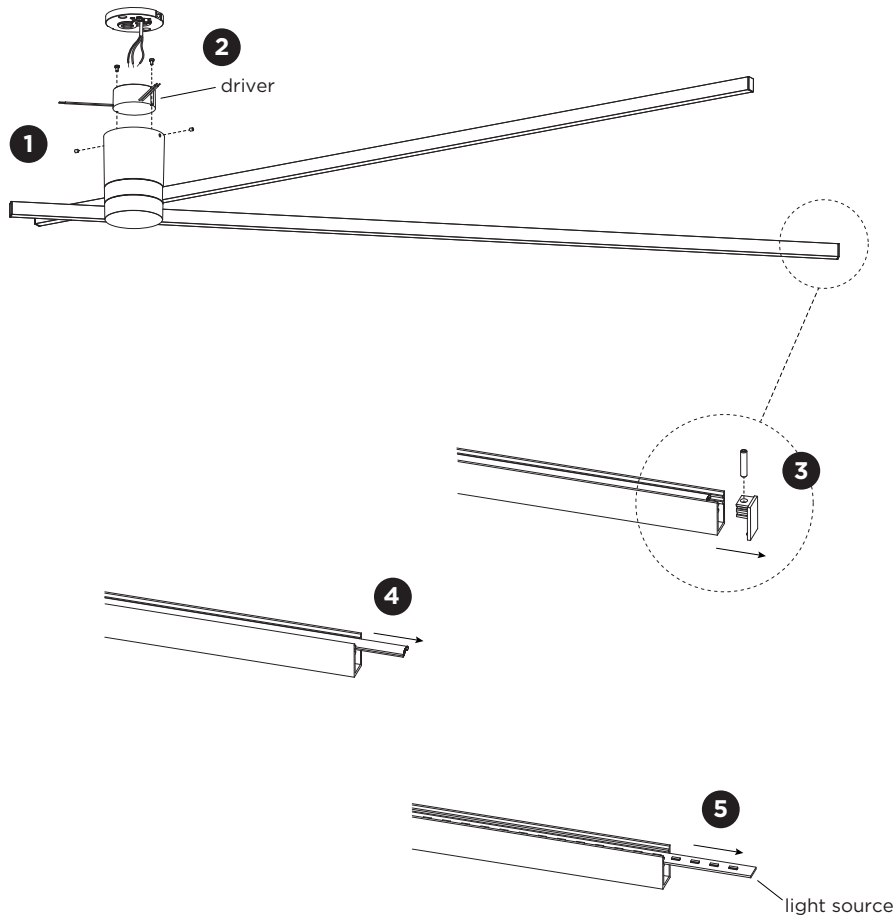
Connect the earth cable.



- 4 Fix the luminaire on the base with the socket screws.

FIL SPIN SURFACE

INSTALLATION INSTRUCTIONS | JUNE 2024



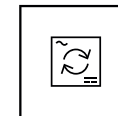
DISMOUNTING AND RECYCLING INSTRUCTIONS

Light source & driver

- 1 Loosen the socket screws from the fixture to remove it from the mounting base.
- 2 Unscrew the driver and disconnect the wires to remove the driver.
- 3 Remove the endcap by unscrewing the socket screw.
- 4 Pull out the diffuser.
- 5 Disconnect the wires and remove the light source by pulling it out.



The light source is replaceable by Wever & Ducré or by a professional with explicit authorisation. For more information please contact your local Wever & Ducré customer service point.



The driver can be replaced by the end user.



This luminaire contains a light source with the energy class E.