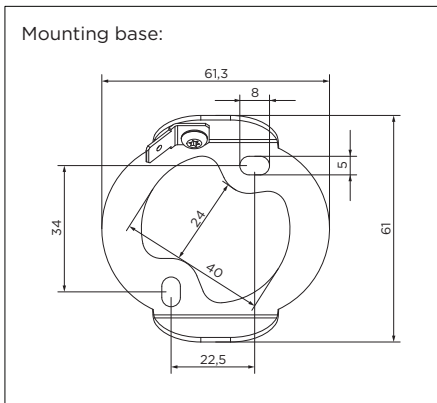
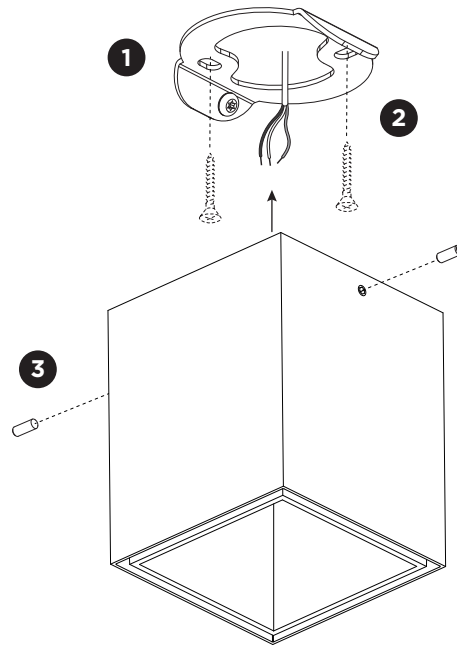
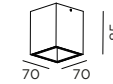


BOX / RAY MINI ceiling surface

INSTALLATION INSTRUCTIONS | SEPTEMBER 2024



DIMENSIONS



BOX MINI
1.0 LED



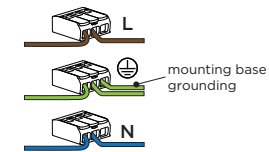
RAY MINI
1.0 LED

MOUNTING INSTRUCTION

- 1 Remove the mounting base from the luminaire by loosening the socket screws and mount it on the ceiling with screws (screws are not included).

- 2 **POWER CONNECTION**

Connect to 220-240V.



Connect the earth cable.



- 3 Attach the luminaire to the mounting base and fix it on the base with the socket screws.

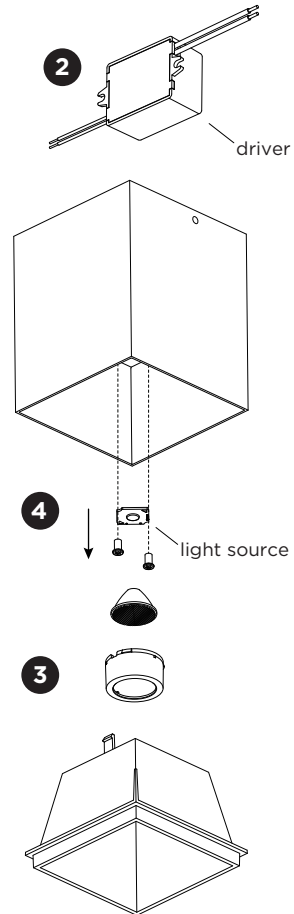
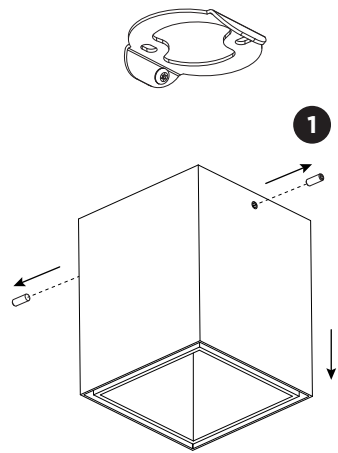


WEVER & DUCRÉ
LIGHTING

WEVER & DUCRÉ BV
Spinnerijstraat 99/21, 8500 Kortrijk, Belgium
weverducre.com

BOX / RAY MINI ceiling surface

INSTALLATION INSTRUCTIONS | SEPTEMBER 2024



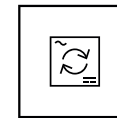
DISMOUNTING AND RECYCLING INSTRUCTIONS

Light source & driver

- 1 Unscrew the socket screw from the fixture to remove it from the mounting base.
- 2 Disconnect the wires and remove the driver.
- 3 Pull out the reflector, lens holder and lens.
- 4 Unscrew the light source and disconnect the wires to remove the light source.



The light source is replaceable by Wever & Ducré or by a professional with explicit authorisation. For more information please contact your local Wever & Ducré customer service point.



The driver can be replaced by the end user.



This luminaire contains a light source with the energy class E.