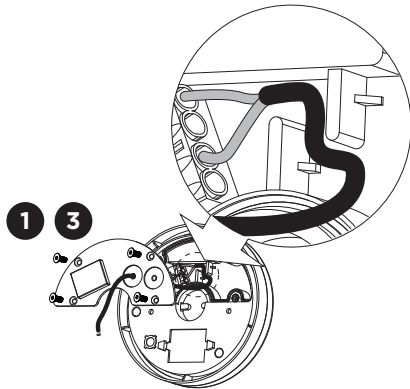


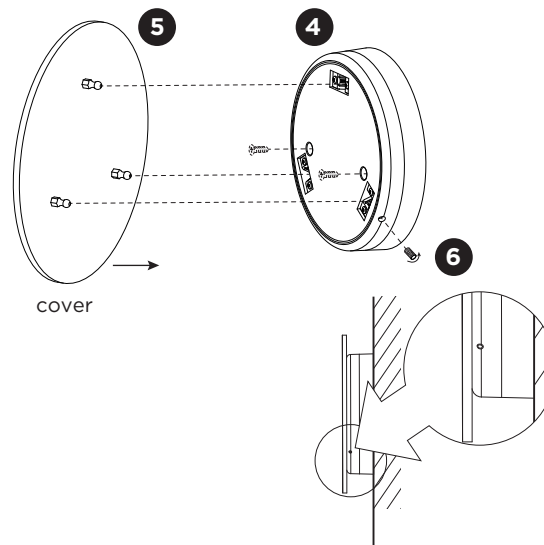
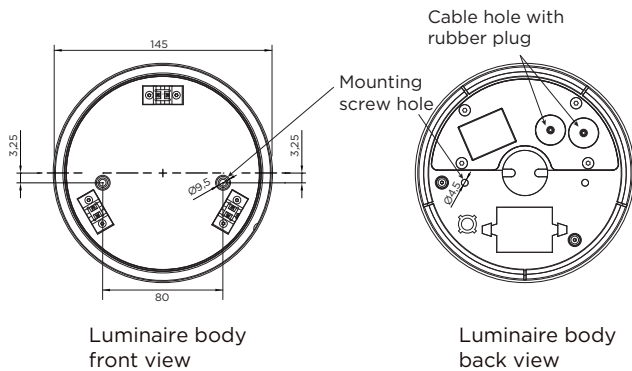
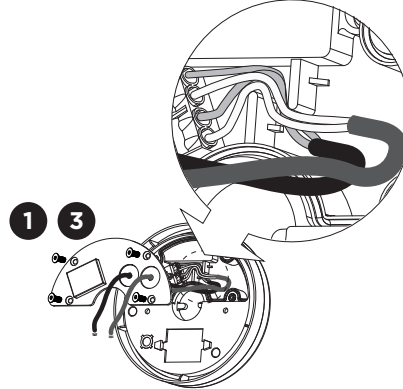
# MILES

INSTALLATION INSTRUCTIONS | MAY 2023

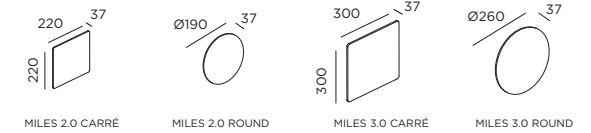
**2** For single luminaire



**2** For series of two luminaires



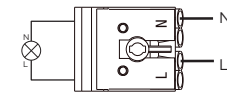
## DIMENSIONS



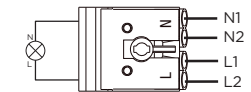
## MOUNTING INSTRUCTIONS

**1** Loosen the screws from the lid and remove it.

**2** **POWER CONNECTION**  
For single luminaire



For series of two luminaires



**3** Put the lid back on the body and fix it with the screws.

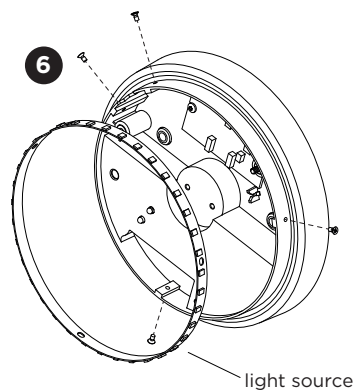
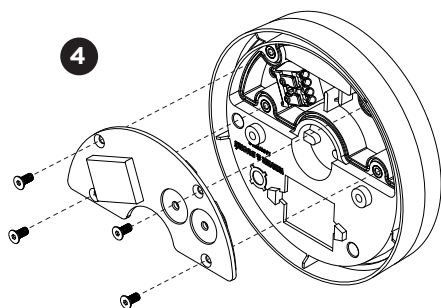
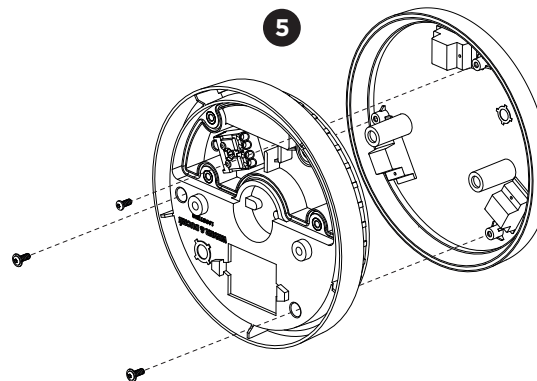
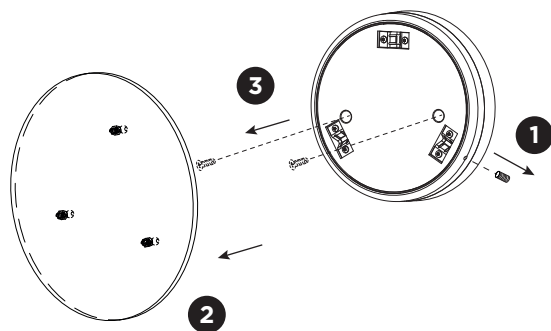
**4** Fix the luminaire body on the wall with screws (screws are not included).

**5** Mount the cover on the luminaire body by aligning the pins with the slots on the inset and push them in.

**6** Lock the cover with the allen screw with the included allen screw key (see installation manual envelope).

# MILES

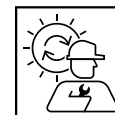
INSTALLATION INSTRUCTIONS | MAY 2023



## DISMOUNTING AND RECYCLING INSTRUCTIONS

### Light source

- 1 Remove the socket screw on the side.
- 2 Pull off the cover.
- 3 Loosen the luminaire body from the wall by removing the screws.
- 4 Unscrew the back cover.
- 5 Remove the diffuser from the lamp body by unscrewing it.
- 6 Loosen the wires and unscrew the light source to remove it.



The light source is replaceable by an authorized professional.  
For advice contact your Wever & Ducré customer service contact point.



This luminaire contains a light source with the energy class D.



**WEVER & DUCRÉ**  
LIGHTING

**WEVER & DUCRÉ BV**  
Spinnerijstraat 99/21, 8500 Kortrijk, Belgium  
weverducre.com