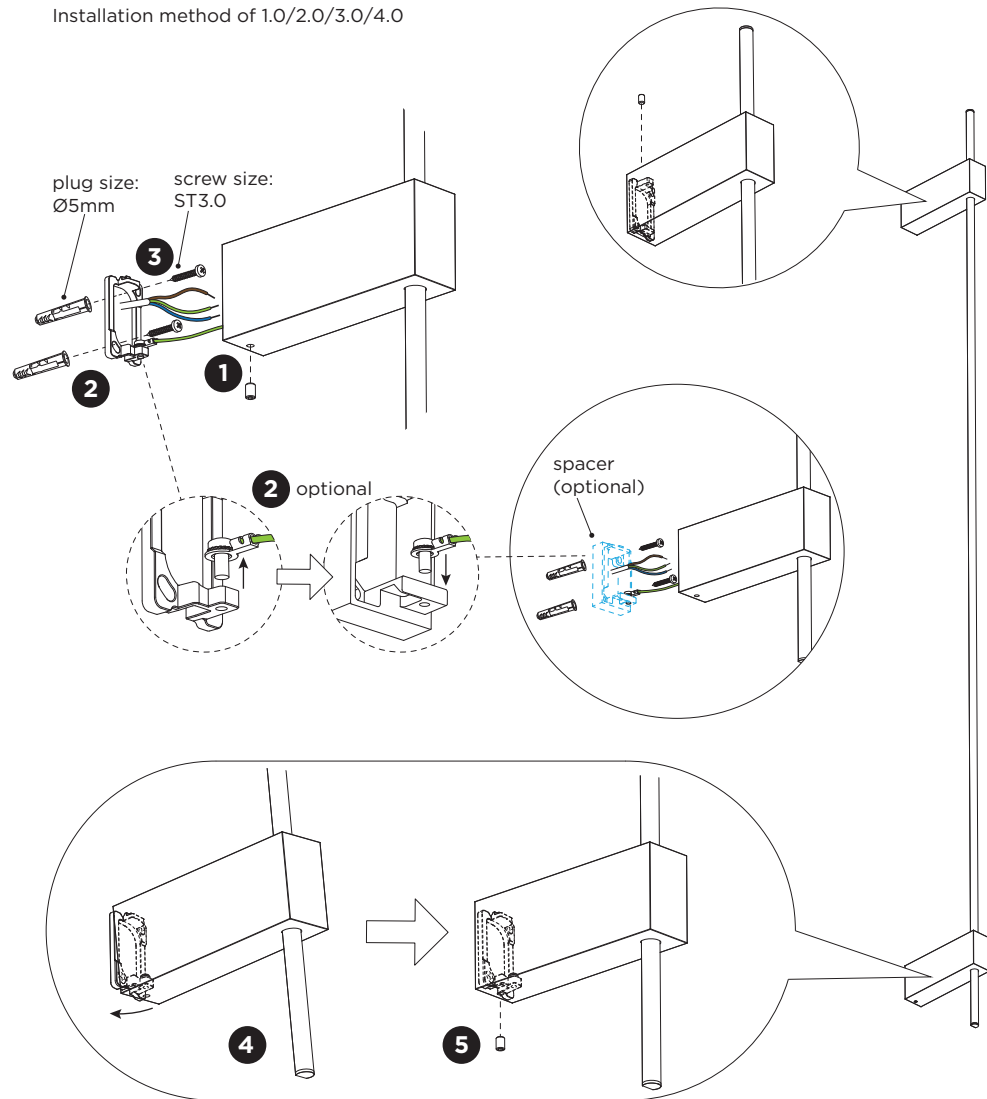
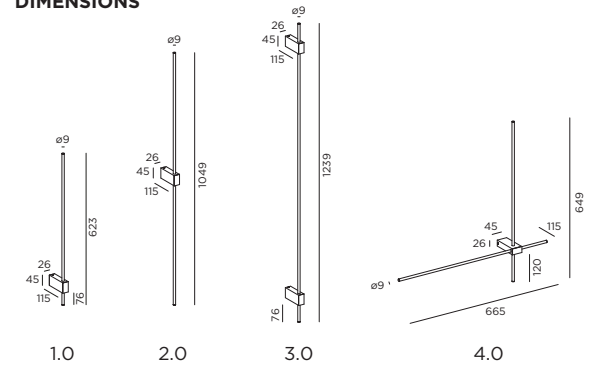


Installation method of 1.0/2.0/3.0/4.0



Note: for 3.0, the direction of the upper and lower mounting bases are symmetrical to each other.

DIMENSIONS



MOUNTING INSTRUCTION

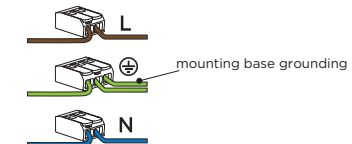
- 1 Remove the mounting base from the luminaire by loosening the socket screw.
- 2 Mount the base on the wall with the screws (included).

Optional spacer (not included):

Remove the screw, the locking washer and the grounding cable from the mounting base and fix it on the spacer. Mount the spacer on the wall with the screws (included).

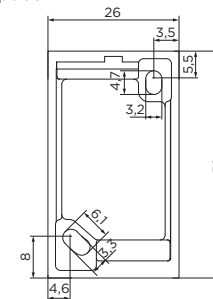
3 POWER CONNECTION

Connect to 220-240V.

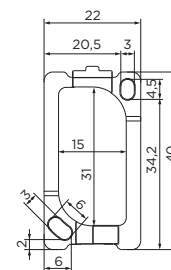


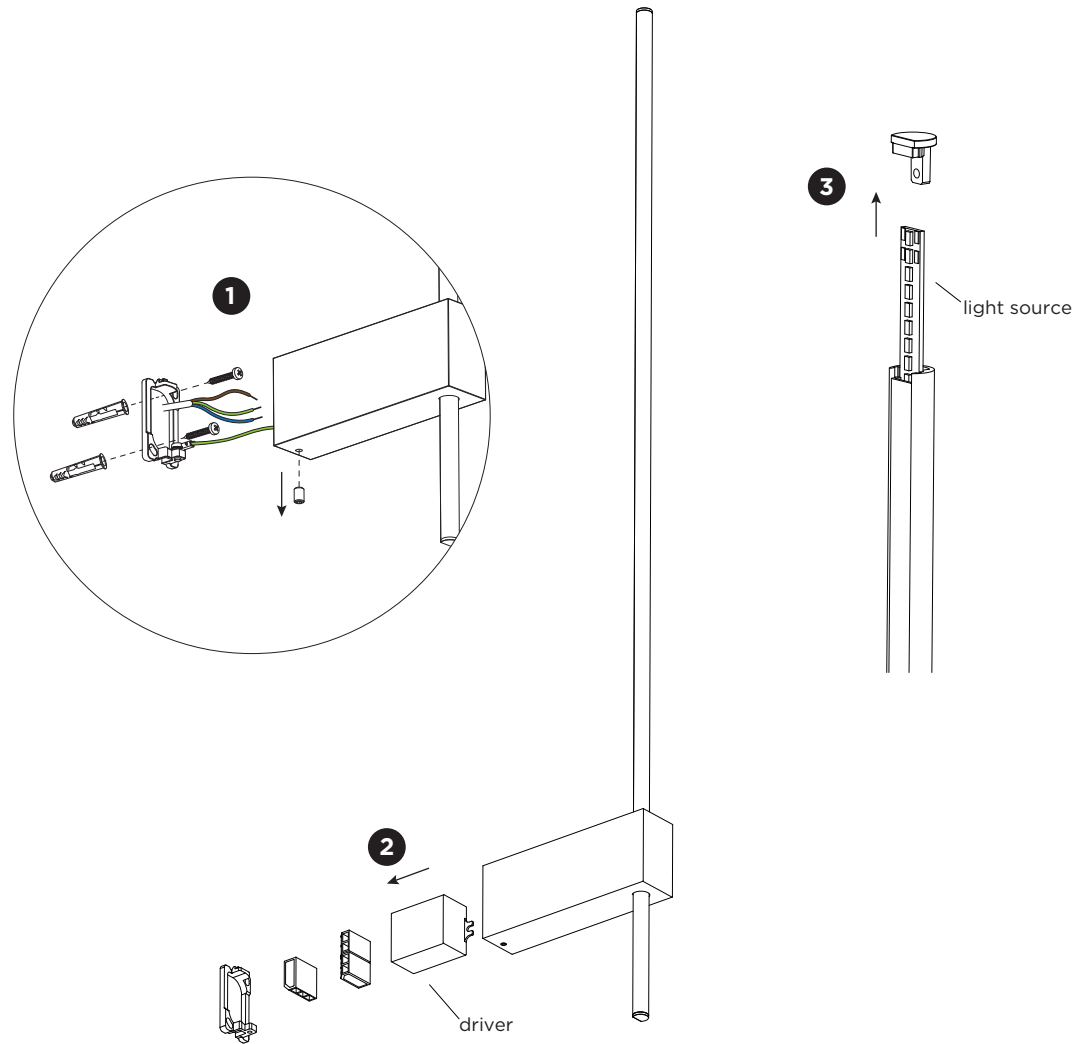
- 4 Attach the luminaire to the mounting base (or spacer) with the upper side first and tilt towards the wall.
- 5 Fix the luminaire on the base (or spacer) with the socket screw.

Spacer:



Mounting base:





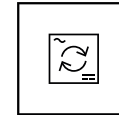
DISMOUNTING AND RECYCLING INSTRUCTIONS

Light source & driver

- 1** Remove the luminaire from the mounting base by loosening the socket screw and disconnecting the wires.
- 2** Loosen the wires and remove the driver.
- 3** Remove the endcap and pull out light source.



The light source is replaceable by Wever & Ducré or by a professional with explicit authorisation. For more information please contact your local Wever & Ducré customer service point.



The driver can be replaced by the end user.



This luminaire contains a light source with the energy class F.