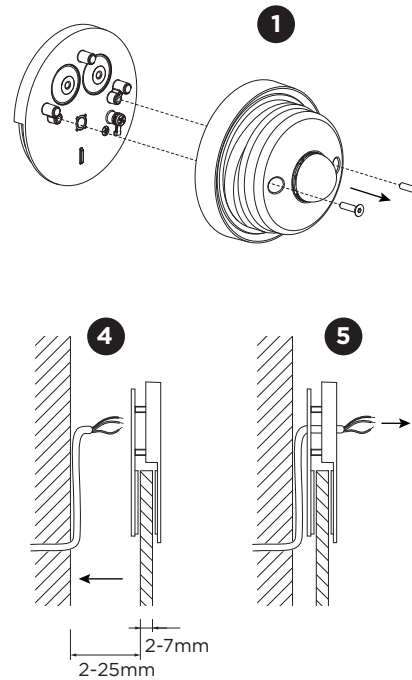
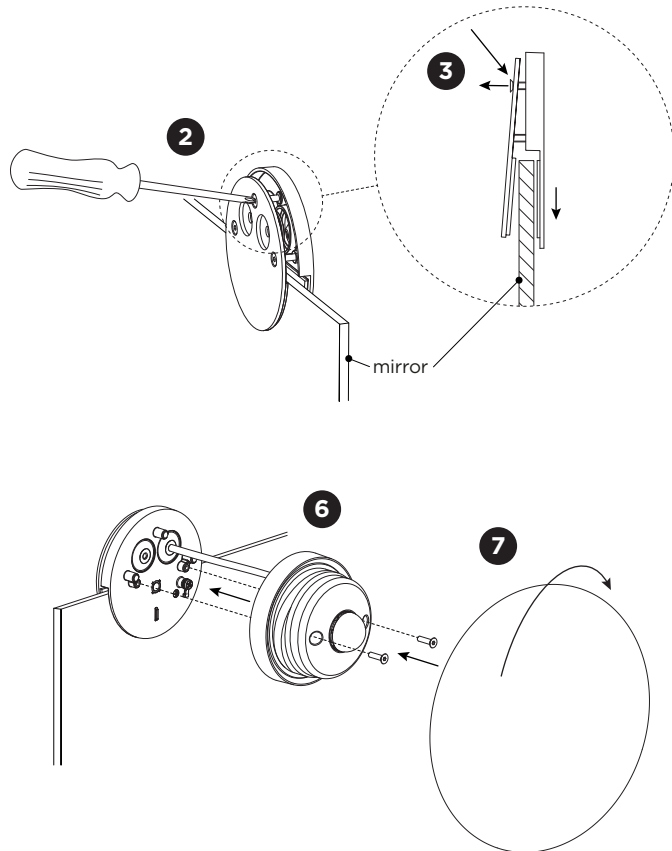


PERLEZ CLIP

INSTALLATION INSTRUCTIONS | SEPTEMBER 2024

IMPORTANT

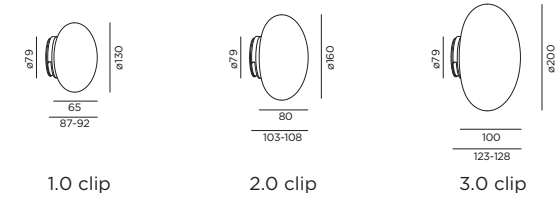
This is a luminaire that needs to be clipped on the mirror before installing the mirror on the wall.



Always use a matching grommet in the overview table.

	A	B	C
CABLE			
TYPE	ROUND H05RN-F H07RN8-F H07RN-F	ROUND H05RN-F	ROUND
OUTSIDE Ø	min 6.8mm max 8.9mm	min 5mm max 6.8mm	min 1.5mm max 2.6mm
CONDUCTION SECTION	2or3x 0.75mm ² 2or3x 1.0mm ² 2or3x 1.5mm ²	2or3x 0.75mm ² 2x 1.0mm ²	0.75mm ² 1.5mm ²

DIMENSIONS



MOUNTING INSTRUCTION

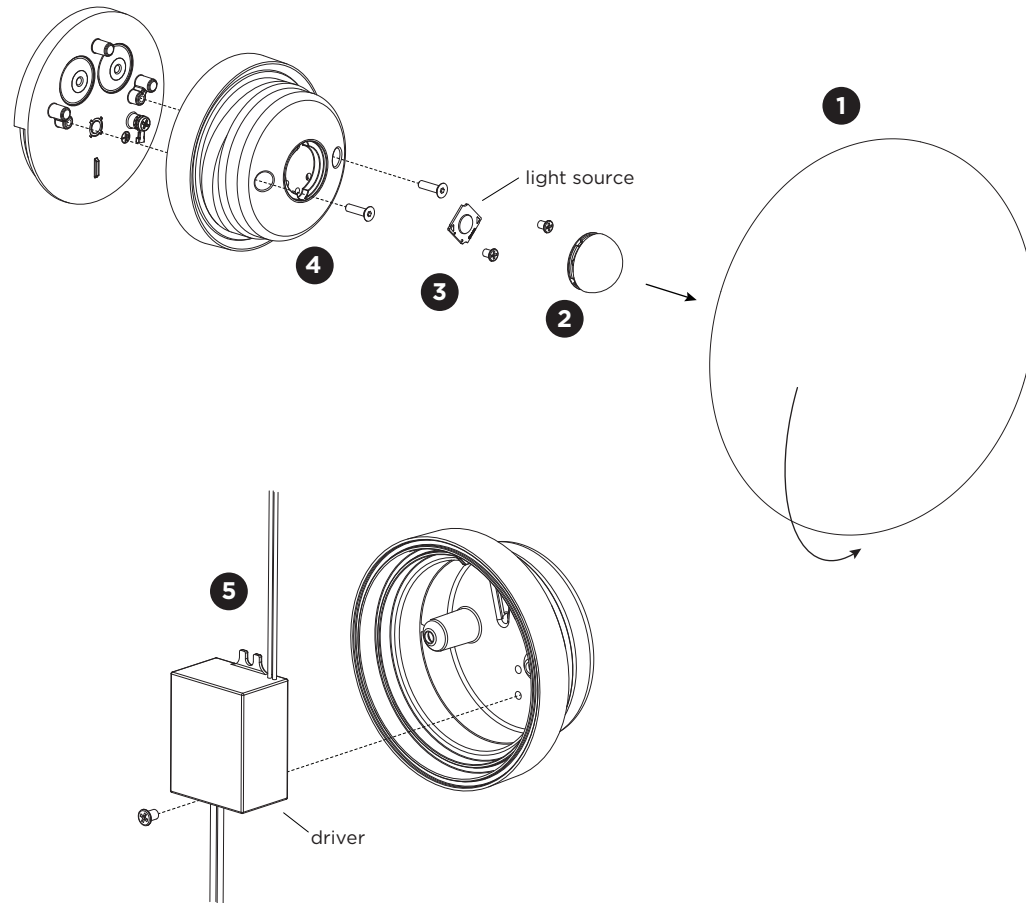
- Remove the base from the clip by loosening the screws.
- Adjust the clip on the back with the screws.
- Attach the clip on the mirror.
Make sure the plate does not bend by adjusting the centred screw.
- Place the mirror on the wall.
The distance between mirror and wall must be minimum 2mm.
The mirror thickness must be between 2mm and 7mm.
- POWER CONNECTION**
Feed the wiring through the grommet and connect to 220-240V.



- Mount the base back on the clip with the screws.
- Screw the glass on the base.

PERLEZ CLIP

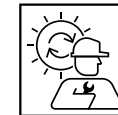
INSTALLATION INSTRUCTIONS | SEPTEMBER 2024



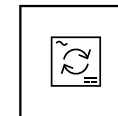
DISMOUNTING AND RECYCLING INSTRUCTIONS

Light source & driver

- 1 Unscrew the glass.
- 2 Remove the lens by pulling.
- 3 Unscrew the light source to remove it.
- 4 Remove the base by unscrewing it.
- 5 Disconnect the wires and unscrew the driver to remove it.



The light source is replaceable by Wever & Ducré or by a professional with explicit authorisation. For more information please contact your local Wever & Ducré customer service point.



The driver can be replaced by the end user.

This luminaire contains a light source with the corresponding energy class:

colour temperature	Energy class
3000K	A ↑ G F
4000K	A ↑ G E



WEVER & DUCRÉ
LIGHTING

WEVER & DUCRÉ BV

Spinnerijstraat 99/21, 8500 Kortrijk, Belgium
weverducre.com