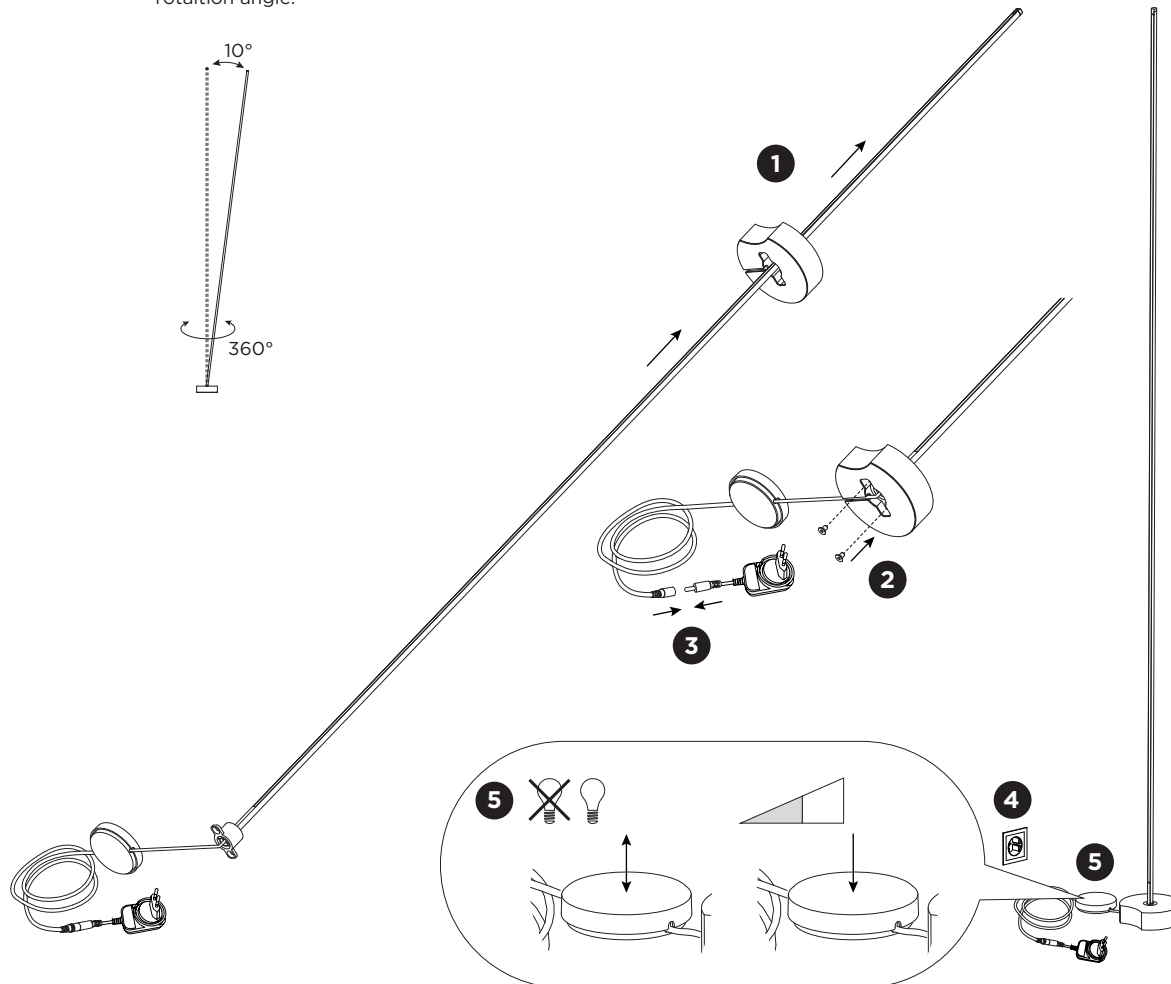
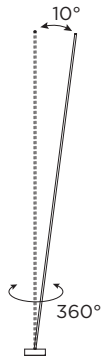


# FINLIN FLOOR

INSTALLATION INSTRUCTIONS | FEBRUARY 2024

rotation angle:



## DIMENSIONS

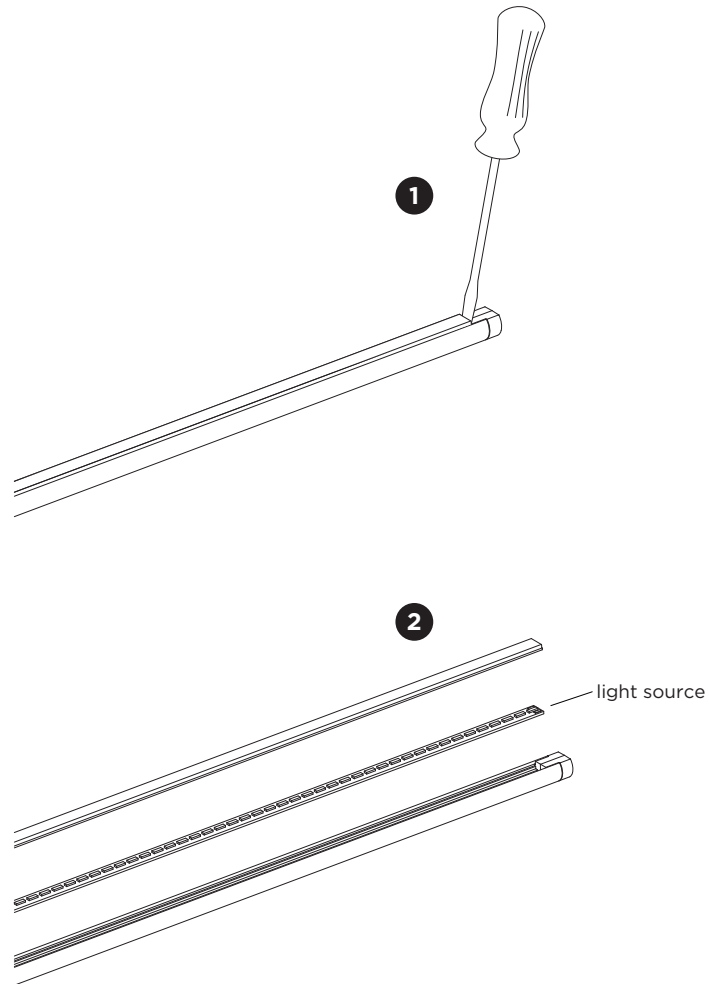


## MOUNTING INSTRUCTION

- 1 Pass the fixture through the base.
- 2 Fix it with two screws from the bottom (screws are included).
- 3 Connect the cable with the plug.
- 4 Connect the power cable to the socket.
- 5 Push the button to turn the light on/off.  
Hold the button to dim the light.

# FINLIN FLOOR

INSTALLATION INSTRUCTIONS | FEBRUARY 2024



## DISMOUNTING AND RECYCLING INSTRUCTIONS

Light source

- 1 Pull out the cover with a flat screw driver.
- 2 Disconnect the wires to remove the light source.



The light source is replaceable by Wever & Ducré or by a professional with explicit authorisation. For more information please contact your local Wever & Ducré customer service point.



This luminaire contains a light source with the energy class E.