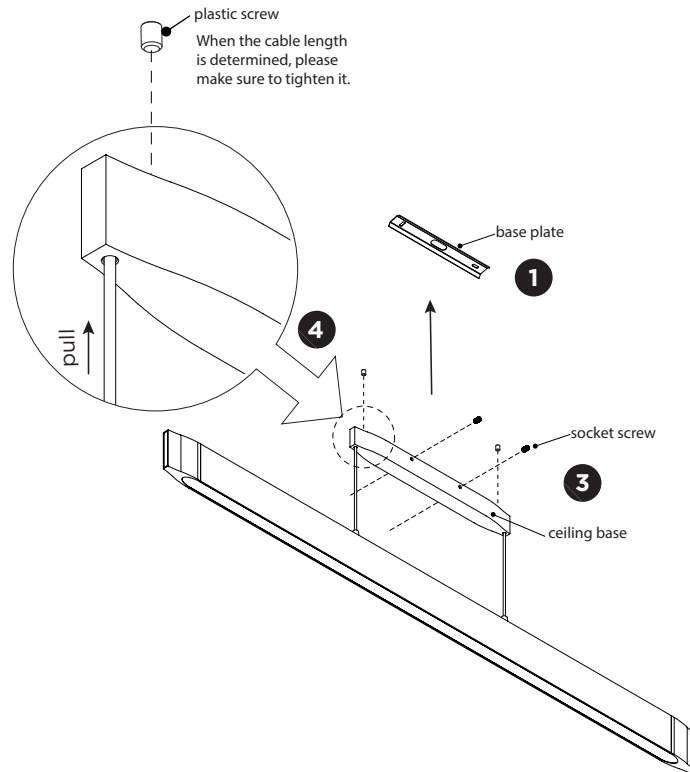
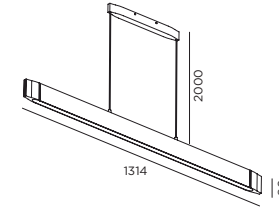


ELLO 13.0

INSTALLATION INSTRUCTIONS | MARCH 2023



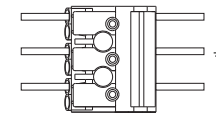
DIMENSIONS



MOUNTING INSTRUCTION

- 1 Remove the base plate by loosening the socket screws and attach it to the ceiling with screws (screws are not included).

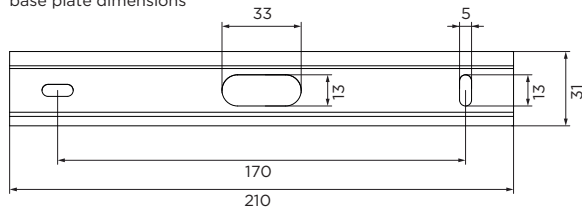
- 2 **POWER CONNECTION**
Connect to 220-240V.



- 3 Attach the ceiling base to the base plate with the socket screws.

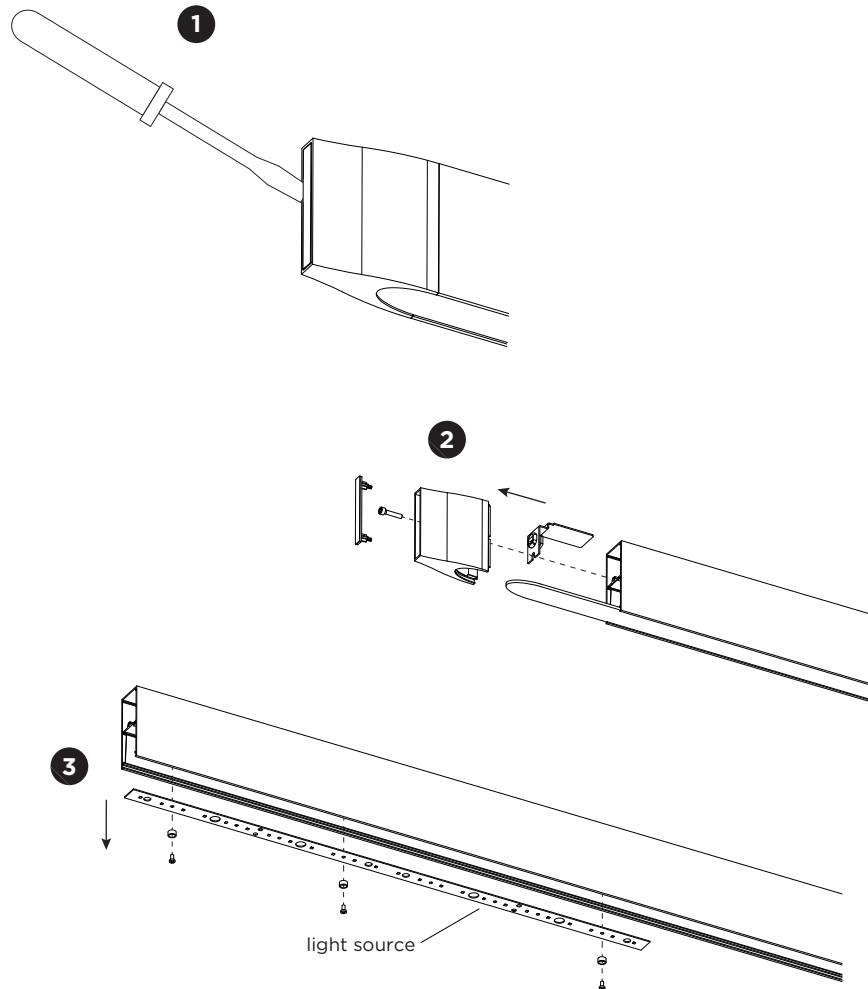
- 4 For cable length adjustment:
 - Loosen the plastic screw inside the ceiling base and adjust the cable to the desired length.
 - Tighten the cable again with the plastic screw.
 - Do the same with the cable on the other end of the luminaire.
 - Connect only the one cable which was already connected on the terminal block. The other one can be kept loose.

base plate dimensions



ELLO 13.0

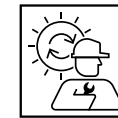
INSTALLATION INSTRUCTIONS | MARCH 2023



DISMOUNTING AND RECYCLING INSTRUCTIONS

Light source

- 1 Remove the clips on both sides by pushing them out with a flat screwdriver.
- 2 Unscrew the endcaps and pull out the bracket and diffuser.
- 3 Remove the light source by unscrewing the screws.



The light source is replaceable by an authorized professional.
For advice contact your Wever & Ducré customer service contact point.



This luminaire contains a light source with the energy class F.