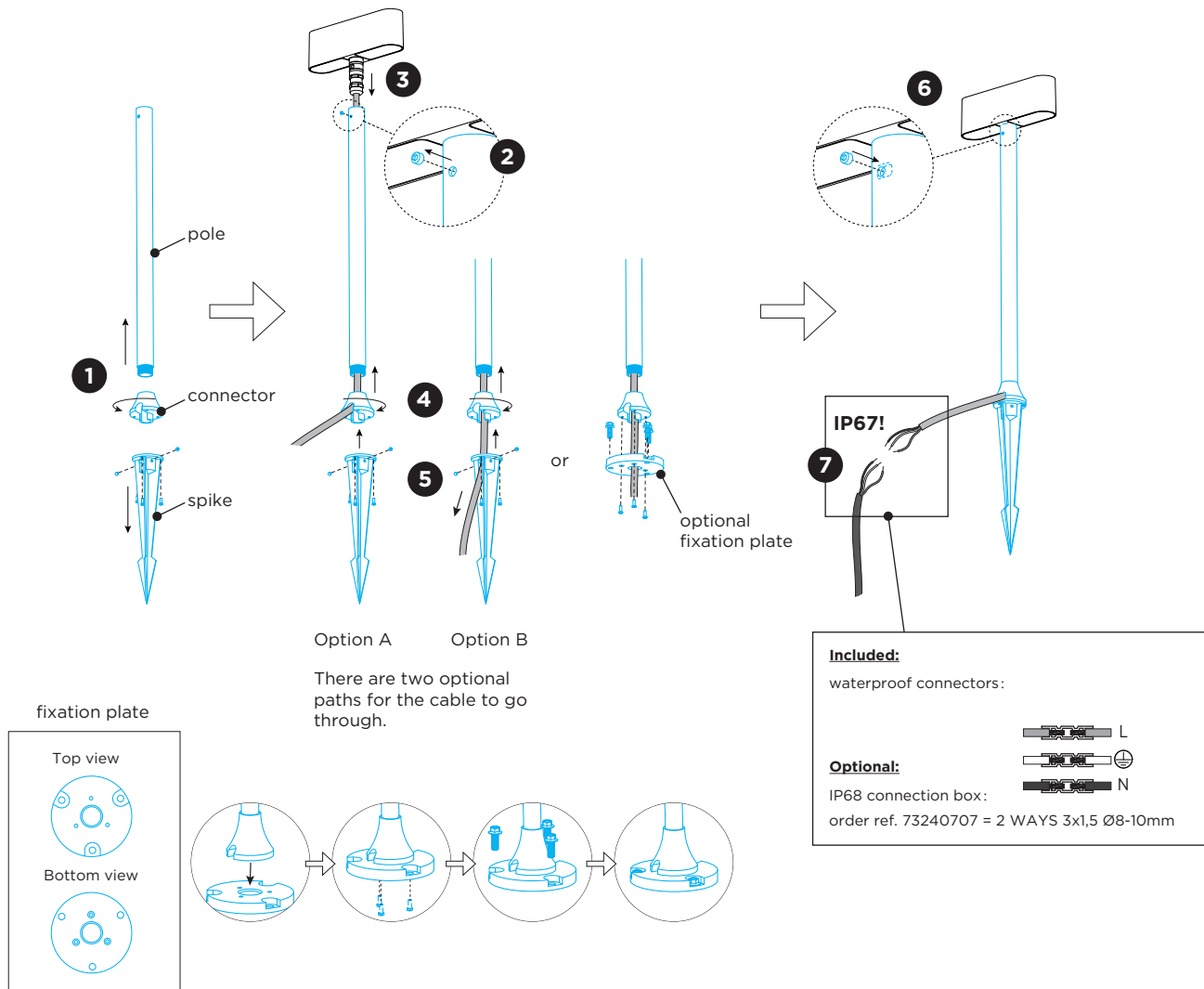
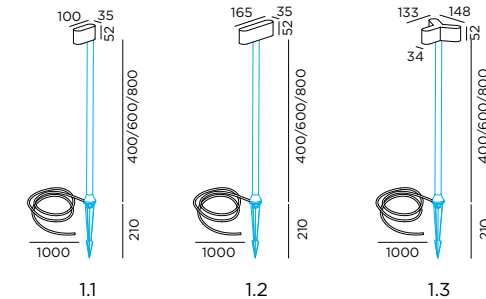


KIOSK FLOOR

INSTALLATION INSTRUCTIONS | OCTOBER 2023



DIMENSIONS

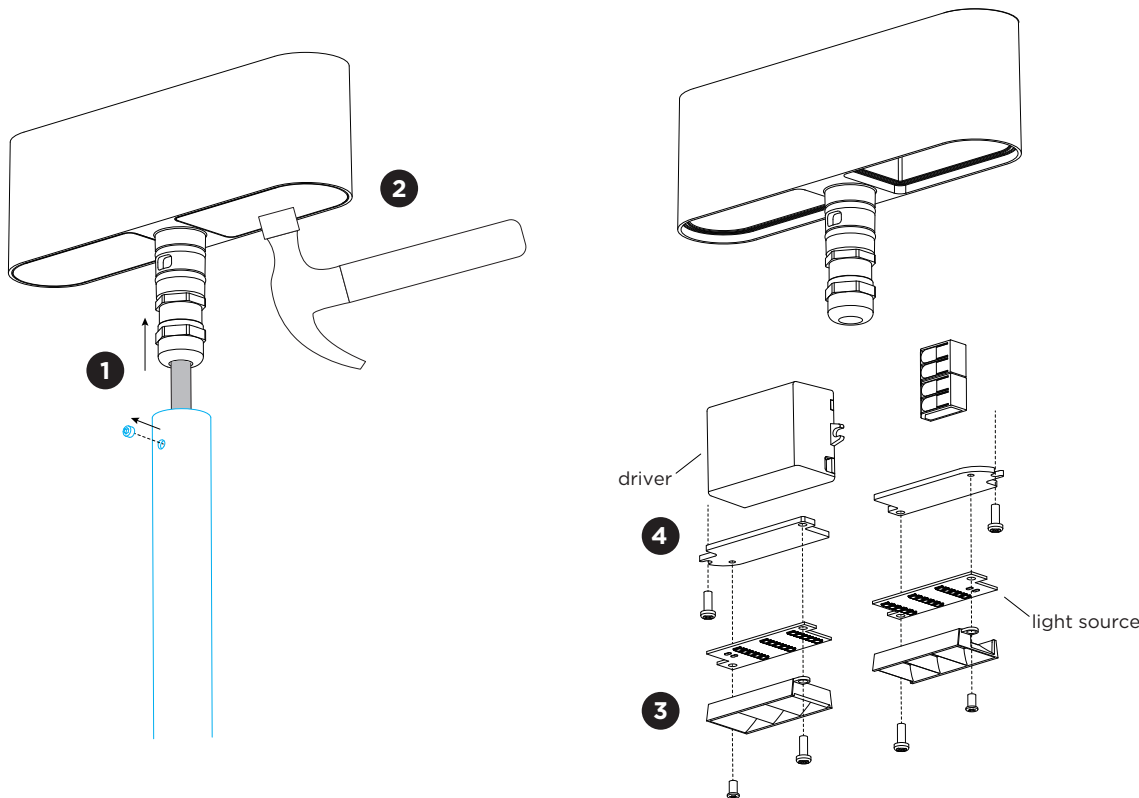


MOUNTING INSTRUCTION

- 1** Dismount the pole, connector and spike.
- 2** Unscrew the socket screw from the pole.
- 3** Guide the cable through the pole and insert the LED module into the pole by pushing.
- 4** Pull the cable through the connector and screw the connector back to the pole.
- 5** Fix the spike (or optional fixation plate) to the connector with the screws.
- 6** Make sure to align the slot with the hole and fix the socket screw again.
- 7** **POWER CONNECTION**
Connect to 220-240V. Connect the wires with the waterproof connectors. Please see the detailed method in the separate instruction sheet of the waterproof connection.

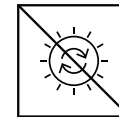
KIOSK FLOOR

INSTALLATION INSTRUCTIONS | OCTOBER 2023

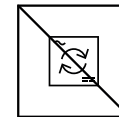


DISMANTLING AND RECYCLING INSTRUCTIONS Light source & driver

- 1 Unscrew the socket screw and pull out the fixture from the pole.
- 2 Break the glass.
- 3 Remove the reflector(s) and light source(s) by unscrewing it/them.
- 4 Unscrew the metal sheets and disconnect the wires to remove the driver.



The light source is not replaceable.



The driver is not replaceable.



This luminaire contains a light source with the energy class D.



WEVER & DUCRÉ
LIGHTING

WEVER & DUCRÉ BV

Spinnerijstraat 99/21, 8500 Kortrijk, Belgium
weverducre.com