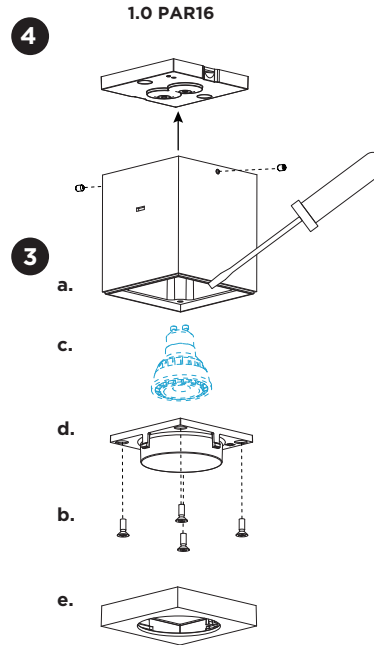
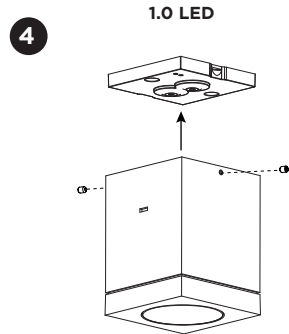
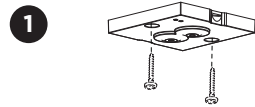
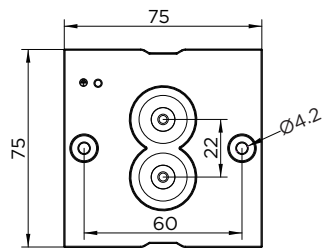


# TUBE CARRÉ CEILING

INSTALLATION INSTRUCTIONS | DECEMBER 2022



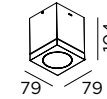
backplate:



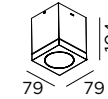
grommets:

	A	B	C
CABLE			
TYPE	ROUND H05RN-F H07RN8-F H07RN-F	ROUND H05RN-F	ROUND
OUTSIDE Ø	min 6.8mm max 8.9mm	min 5mm max 6.8mm	min 1.5mm max 2.6mm
CONDUCTION SECTION	2or3x 0.75mm <sup>2</sup> 2or3x 1.0mm <sup>2</sup> 2or3x 1.5mm <sup>2</sup>	2or3x 0.75mm <sup>2</sup> 2x 1.0mm <sup>2</sup>	0.75mm <sup>2</sup> 1.5mm <sup>2</sup>

## DIMENSIONS



1.0 LED



1.0 PAR16

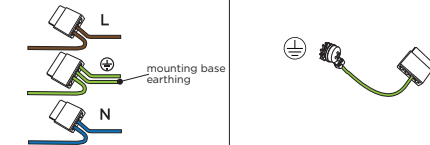
## 1 MOUNTING INSTRUCTION

Remove the backplate from the fixture by loosening the socket screws and mount it on the ceiling with screws (screws are not included).

## 2 POWER CONNECTION

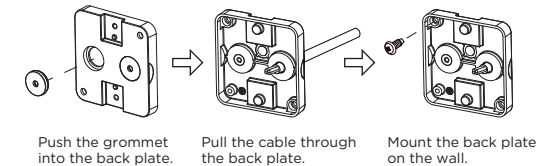
Connect to 220-240V.

Connect the earth cable.



Please use a matching grommet based on the used 220-240V cable and the corresponding type in the overview table.

for example:



## 3 For PAR16 version:

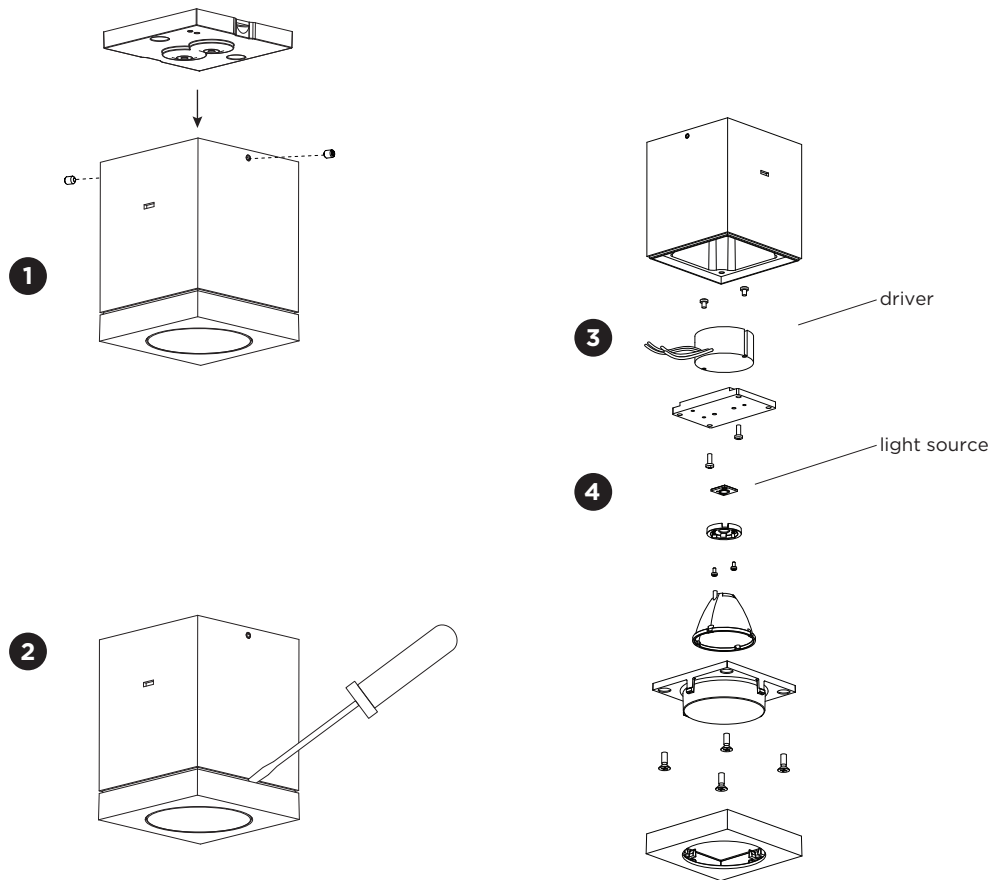
- Open the cover with a flat screwdriver.
- Loosen the four screws of the glass cover and remove it.
- Insert the lamp.
- Put back the glass cover with the four screws.
- Place back the body cover by pushing.

## 4 Mount the luminaire on the backplate with the socket screws.

PB19-010-574-00\_v1

# TUBE CARRÉ CEILING

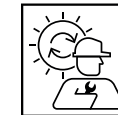
INSTALLATION INSTRUCTIONS | DECEMBER 2022



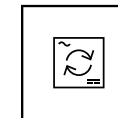
## DISMOUNTING AND RECYCLING INSTRUCTIONS

### Light sources & drivers

- 1 Dismount the fixture from the ceiling by loosening the socket screws and the wiring.
- 2 Remove the cover with a flat screwdriver.
- 3 Unscrew the glass cover, remove the reflector and unscrew the holder to remove the light source.
- 4 Unscrew the plate and loosen the wires and screws to remove the driver.



The light source is replaceable by an authorized professional.  
For advice contact your Wever & Ducré customer service contact point.



The driver can be replaced by the end user.



This luminaire contains a light source with the energy class F.