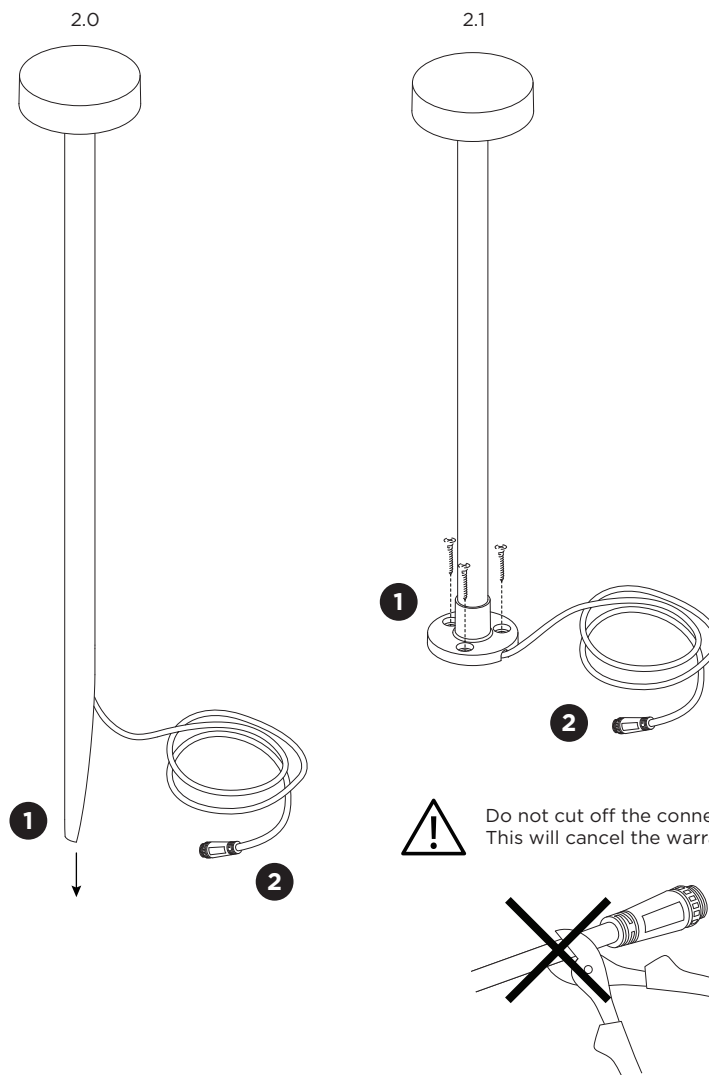
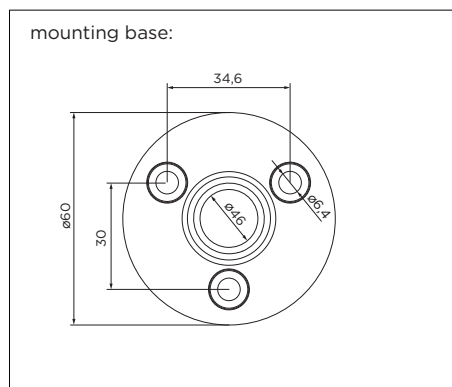
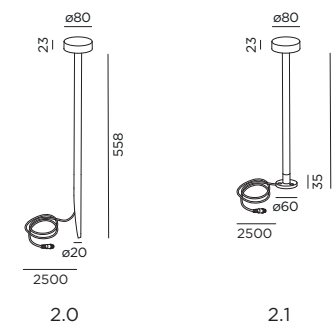


Keep the base clean and do not keep it covered with moss, leaves, bark... Permanent moisture and possible chemical processes from eg. fertilization might lead in some occasions to a corrosive reaction.



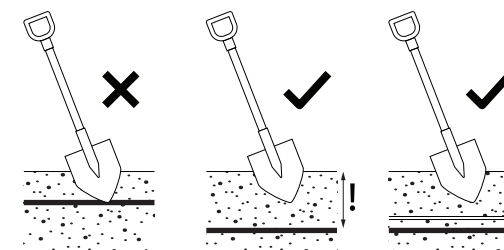
## DIMENSIONS



## MOUNTING INSTRUCTION

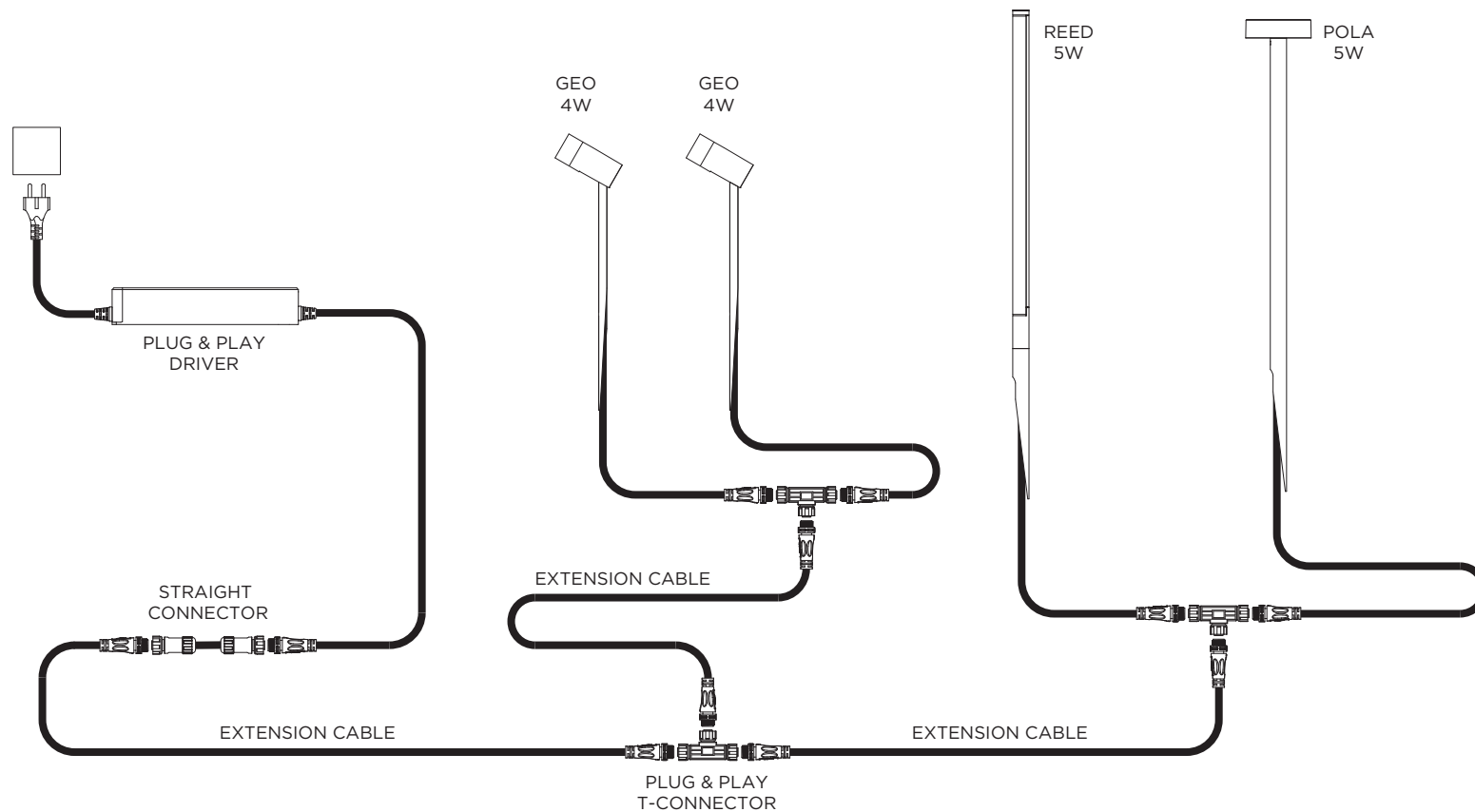
- Put the fixture in the soil or mount the base on the floor with screws (screws are not included).
- POWER CONNECTION**  
Connect to plug & play driver with a straight connector or T-connector.  
For detailed information to the plug & play system, see next page.

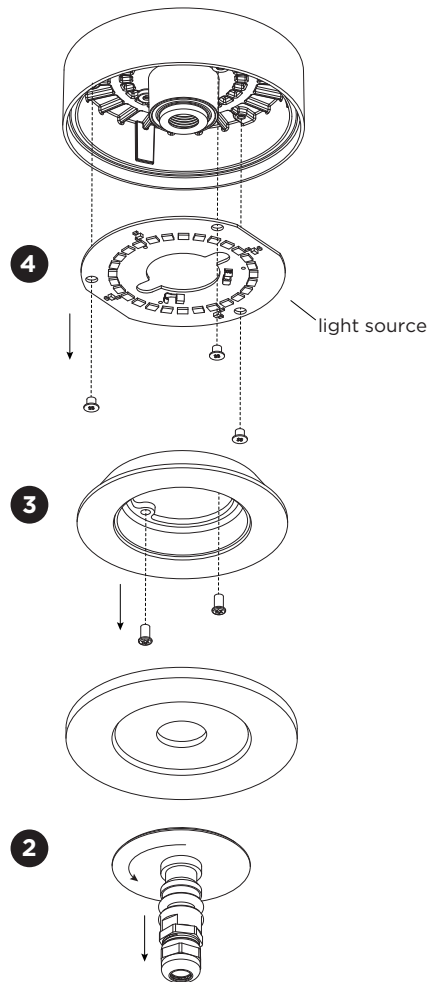
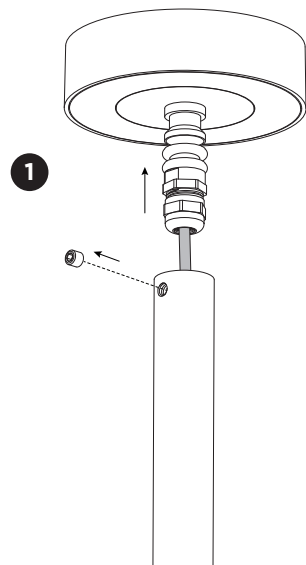
Place the cables deep enough in the ground or protect them with a cover/tube to avoid damage due to a shovel.



## PLUG & PLAY SYSTEM

luminaire power	max. cable length in relation to distance to first luminaire								max. cable length
	≤1,0m	≤2,5m	≤5,0m	≤7,5m	≤10,0m	≤15,0m	≤20,0m	≤30,0m	
15W	50m	50m	50m	50m	50m	50m	50m	50m	
30W	50m	50m	50m	50m	50m	50m	36m	6m	
45W	50m	50m	50m	42m	34m	20m	4m	-	
60W	44m	40m	32m	26m	18m	2m	-	-	

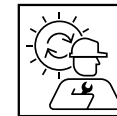




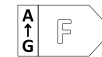
## DISMOUNTING AND RECYCLING INSTRUCTIONS

### Light source

- 1 Unscrew the socket screw and pull out the fixture from the pole.
- 2 Unscrew the adapter to remove the glass.
- 3 Remove the lens by unscrewing the screws.
- 4 Loosen the wires and unscrew the light source to remove it.



The light source is replaceable by Wever & Ducré or by a professional with explicit authorisation. For more information please contact your local Wever & Ducré customer service point.



This luminaire contains a light source with the energy class F.